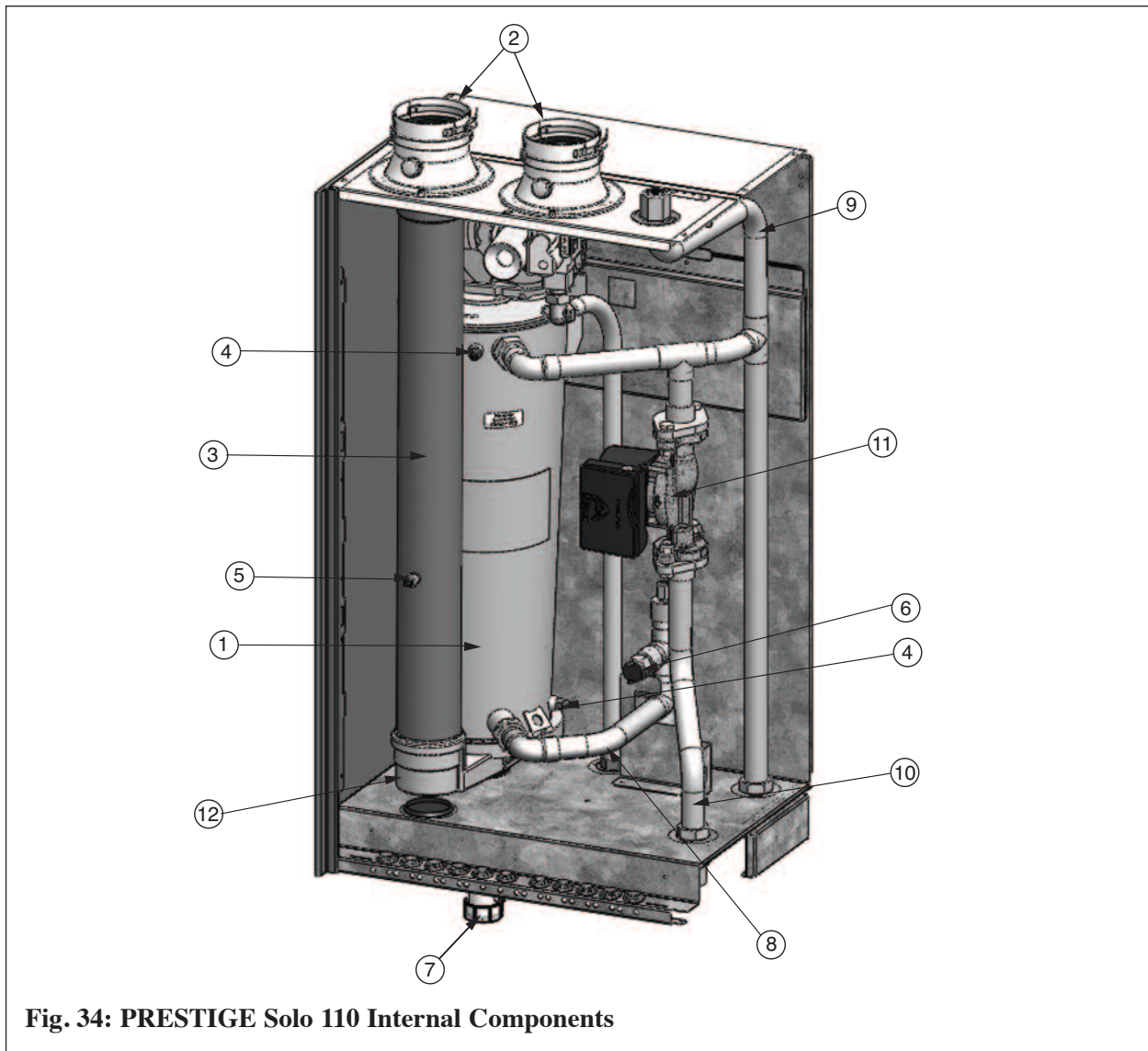


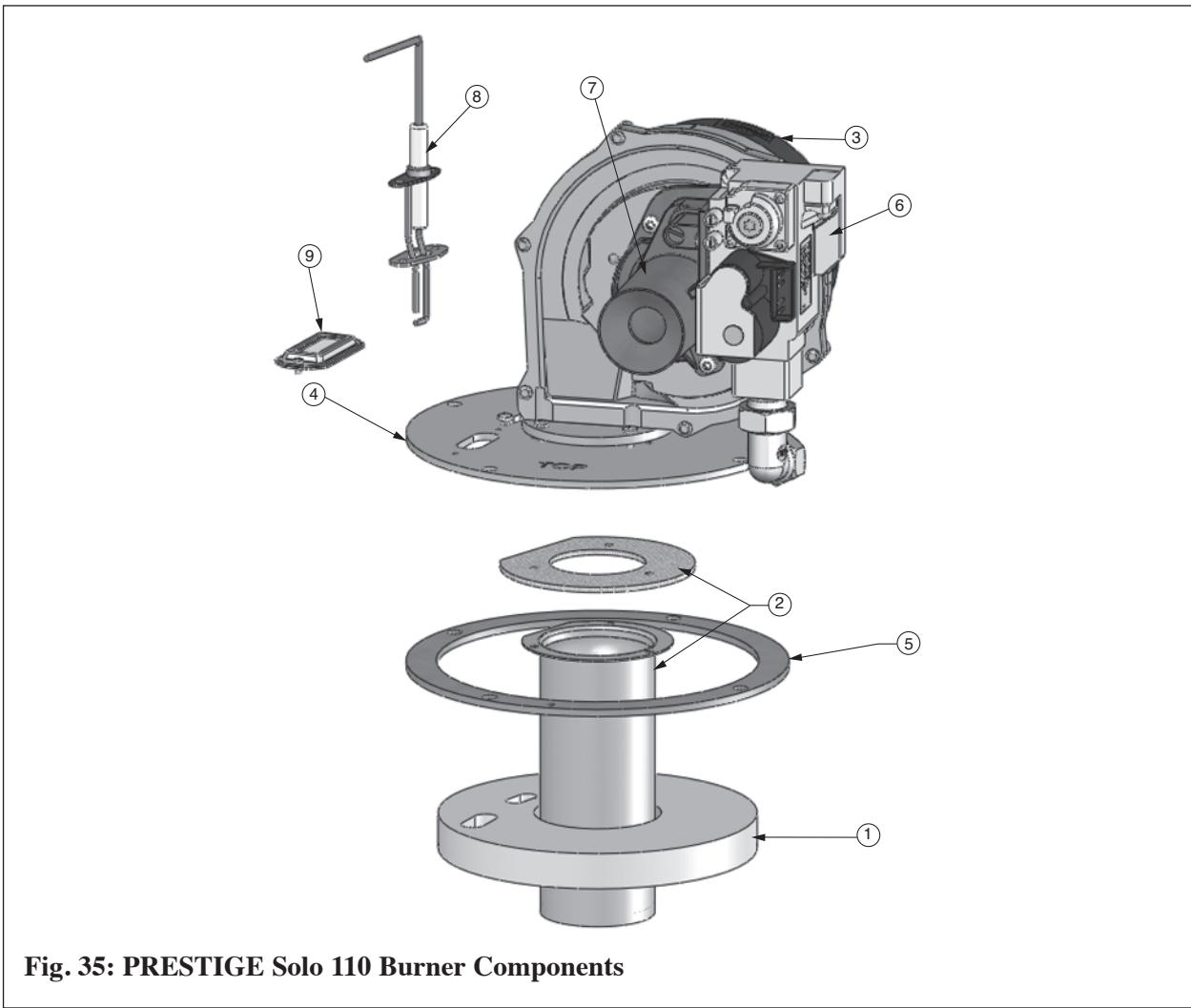
**Fig. 33: PRESTIGE Solo 110 Jacket Components**

Item	Part #	Description
1	PTJKT10R	Rear Panel
2	PTJKT08F	Front Jacket Panel
3	PTRKIT129	Control Enclosure Bezel
4	PTJKT22S	Side Jacket Panel (Left or Right)
5	PTJKT14T	Top Jacket Panel
6	PTJKT18T	Top Jacket Access Panel
7	PSRKIT21	Wall Mounting Bracket with Hardware
8	PTJKTSUP02	Support - Boiler Supply Piping
9	PTJKTSUP03	Support - Boiler Return Piping
10	PTJKTSUP01	Support - Jacket



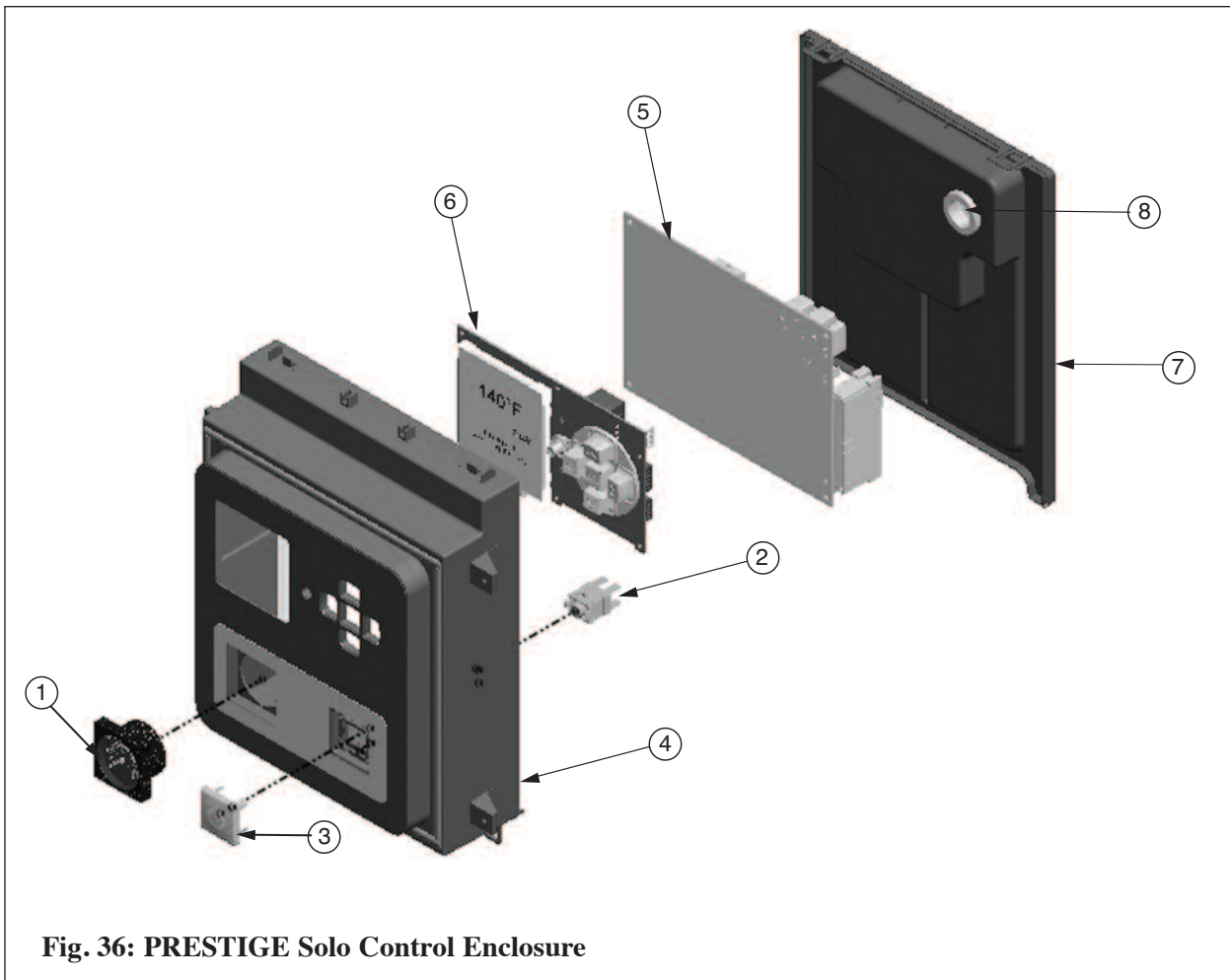
**Fig. 34: PRESTIGE Solo 110 Internal Components**

Item	Part #	Description
1	PTRKIT124	Heat Exchanger Body
2	PTADPT07	Vent Outlet/ Combustion Air Inlet Adapter
3	PTRKIT115	Polypropylene Vent Pipe
4	PTRKIT122	Supply / Return Temperature Sensor
5	PTRKIT123	Flue Temperature Sensor
6	PGRKIT20	LWCO Pressure Device
7	PSRKIT05	Condensate Drain Assembly
8	PSRKIT06	Boiler Piping - Return Assembly
9	PSRKIT08	Boiler Piping - Supply Long Assembly
10	PSRKIT07	Boiler Piping - Supply Short Assembly
11	HMCIR01	Circulator
12	PTRKIT119	Polypropylene Condensate Pan



**Fig. 35: PRESTIGE Solo 110 Burner Components**

Item	Part #	Description
1	PSRKIT09	Combustion Chamber Insulation
2	PSRKIT10	Burner Head with Gasket - Natural
	PSRKIT11	Burner Head with Gasket - Propane
3	PTRKIT114	Blower with Gasket
4	PSRKIT12	Burner Plate
5	PSGSK15	Burner Plate Gasket
6	PTRKIT111	Gas Valve
7	PSRKIT81	Venturi - 002
8	PTRKIT113	Igniter and Cable with Gasket
9	PSRKIT16	Sight Glass Assembly (Glass, Gasket and Bracket)



**Fig. 36: PRESTIGE Solo Control Enclosure**

Item	Part #	Description
1	PTRKIT109	Pressure Gauge and Fitting
2	PTSWI01	Power Switch
3	PTSWI02	Power Switch Cover
4	PTRKIT108	Control Enclosure
5	PTRKIT105	TriMax Control Module
6	PTRKIT107	TriMax Display Module
7	PTCON19	Control Enclosure Cover
8	PTGRO01	Igniter Cable Grommet
9	PTFUSE02	TriMax Control Module 5A Fuse (Not Shown)
10	PTFUSE01	Circulator 2.5A Fuses (Not Shown)
11	PTFUSE03	In-Line Voltage 8A Fuse (Not Shown)