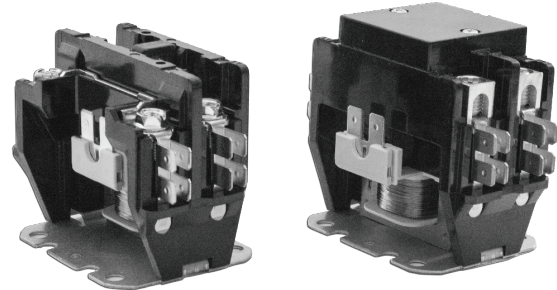


- 1 Pole NO with or without shunt
- 2 Pole NO
- Silver Cadmium Oxide Contacts
- UL 508 File NO. E227250
Class NLDX2, NLDX8
- Semko/CE File No. EN 60947-4-1:2001
- CSA File No. 221260 (1456104)
Class 3211 04 / 3211 84



FLA Rating	Number of Poles	24V Coil	120V Coil	208/240V Coil	277V Coil
20 FLA	1	HCC-1XQ00AA	HCC-1XT00AA	HCC-1XU00AA	HCC-1XV00AA
	2	HCC-2XQ00AA	HCC-2XT00AA	HCC-2XU00AA	HCC-2XV00AA
25 FLA	1	HCC-1XQ01AA	HCC-1XT01AA	HCC-1XU01AA	HCC-1XV01AA
	2	HCC-2XQ01AA	HCC-2XT01AA	HCC-2XU01AA	HCC-2XV01AA
30 FLA	1	HCC-1XQ02AA	HCC-1XT02AA	HCC-1XU02AA	HCC-1XV02AA
	2	HCC-2XQ02AA	HCC-2XT02AA	HCC-2XU02AA	HCC-2XV02AA
40 FLA	1	HCC-1XQ04AA	HCC-1XT04GG	HCC-1XU04GG	HCC-1XV04GG
	2	HCC-2XQ04AA	HCC-2XT04GG	HCC-2XU04GG	HCC-2XV04GG

INITIAL DIELECTRIC STRENGTH

Between Contacts & Coils: 2,200 VAC
 Between Poles: 2,200 VAC (includes shunt)
 Between Open Contacts: 2,200 VAC (no shunt)

ARC COVER

Optional on 20 - 30 FLA
 Standard on 40 FLA

INSULATION SYSTEM

130°C Class B

TEMPERATURE RANGE

-40°C to +65°C
 -40°F to +150°F

UNIT WEIGHT

1 Pole .5 lb
 2 Pole .6 lb

POWER POLE TERMINATIONS

#10-32 screw or box lug

WIRE SIZE

#10-32 screw 16-8*
 Box lug 14-4
 *must use ring terminal

RECOMMENDED TIGHTENING TORQUE

#10-32 screw 22 in. lbs
 Box lug 25 in. lbs

QUICK CONNECTS

Coil terminals Dual: .250" QC
 Power terminals 1 Pole: Quad .250" QC
 2 Pole: Dual or Quad .250" QC

Coil Rating

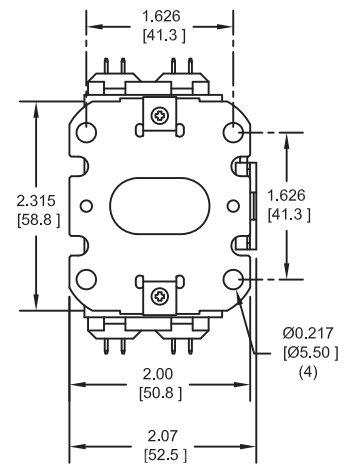
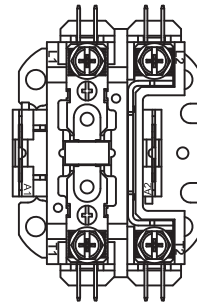
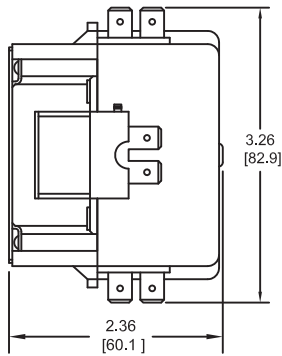
1 Pole Contactors

2 Pole Contactors

Nominal Coil Voltage	24	120	208/240	277	24	120	208/240	277
Nominal Coil Resistance Ohms	18	420	1800	2500	11	237	1000	1600
Maximum Pick Up Voltage	18	88	177	221	18	88	177	221
Minimum Drop Out Voltage	6-15	20-70	40-140	50-165	6-15	20-70	40-140	50-165
Nominal Inrush VA @ 50 Hz	20	24	24	23	33	39	39	32
Nominal Inrush VA @ 60 Hz	18	22	22	21	31	36	36	29
Nominal Sealed VA @ 50 Hz	6	10	9	10	9	11	11	10
Nominal Sealed VA @ 60 Hz	5	8	7	9	7.5	9	8.5	9
Maximum Coil Voltage	30	132	264	300	30	132	264	300

Full Load Amps	Resistive Amps @ 600 VAC	Locked Rotor Amps @ 240/277 VAC	Locked Rotor Amps @ 480 VAC	Locked Rotor Amps @ 600 VAC	Maximum Horsepower Voltage	Single Phase
1 Pole Contactors						
20	30	120	100	80	120 240	1 2
25	35	150	125	100	120 240	1 2
30	40	150	125	100	120 240	1 2
40	50	200	160	120	120 240	2 3
2 Pole Contactors						
20	30	120	100	80	120 240	2 3
25	35	150	125	100	120 240	2 3
30	40	150	125	100	120 240	2 3
40	50	200	160	120	120 240	2 3

1 Pole Dimensions (inches[mm])



2 Pole Dimensions (inches[mm])

