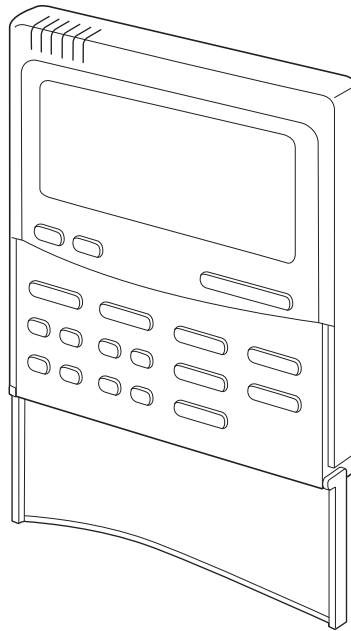


Submittal Data

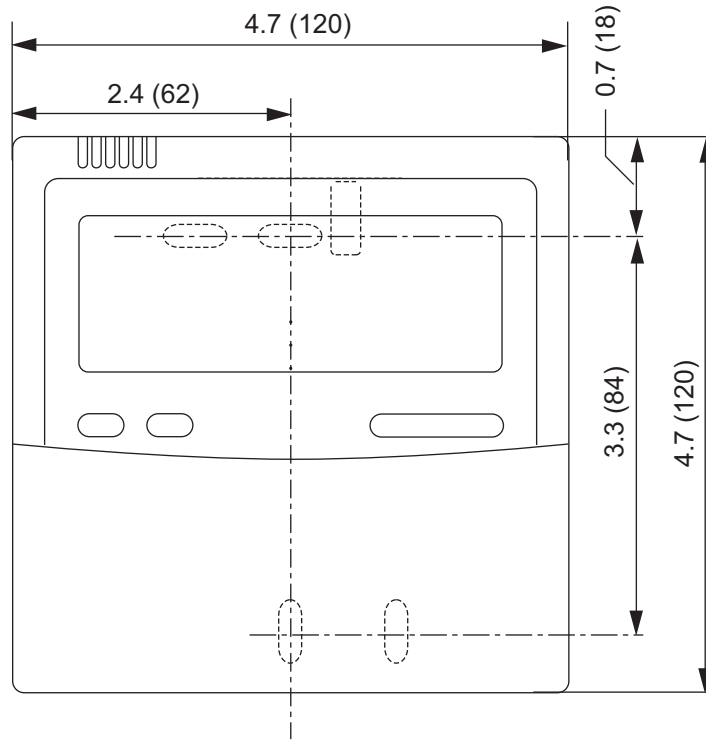
Job Data _____ Location _____
Buyer _____ Buyer PO # _____ Carrier # _____
Unit Number _____ Model Number _____
Performance Data Certified By _____ Date _____



SMMSi / SHRMi VRF Wired Remote Controller (Non-Programmable) Features

- Controls up to eight units
- Operating mode (Heat, Dry, Cool, and Fan)
- Fan mode (Auto, High, Medium, and Low)
- Temperature setting
- Key lock function
- Louver setting

DIMENSIONAL DRAWING WIRED REMOTE CONTROLLER (NON-PROGRAMMABLE) - RBC-AMT32UL



NOTE: Dimensions are in inches (mm).