

**Hot Product!**

Seal-Tite products will always be designed and manufactured for the energy efficient distribution of conditioned air maximizing indoor air quality and comfort.

120 Moore Road, Hillsboro, Ohio 45133 • phone: (937) 393-4268 • fax: (937) 393-1262 • website: [www.sealtitehvac.com](http://www.sealtitehvac.com)

**Seal-Tite®**  
DUCT, PIPE & FITTINGS

## “Quality HVAC Sheet Metal”

We are pleased to now offer The Dryerbox®, a simple metal receptacle that installs between the studs in new construction behind the dryer and facilitates the collection and housing of the flex exhaust hose.



**the dryerbox®**

- ▶ Sturdy 22 gauge molded aluminized steel
- ▶ Locate the dryer right up against the wall
- ▶ Flex is protected from getting squished
- ▶ Reduces the fire hazard
- ▶ Lint build-up is minimized



- ▶ Over 750,000 Dryerboxes installed
- ▶ Applauded by Mechanical Inspectors
- ▶ Doubles as gas connection receptacle
- ▶ Meets code requirements as a clean-out
- ▶ Elbow eliminator, gain 5 ft. of duct run



**1 Hour F Rating**  
wood or metal frame

Exhaust Direction	Wall Size	Model Number
Upward	2x6	DVB425
Upward	2x4	DVB350
Downward	2x6	DVB4D
Downward	2x4	DVB3D

**NOW AVAILABLE!**

For more information contact your Sales Rep at (800) 582-9025

### Technical Product Specifications

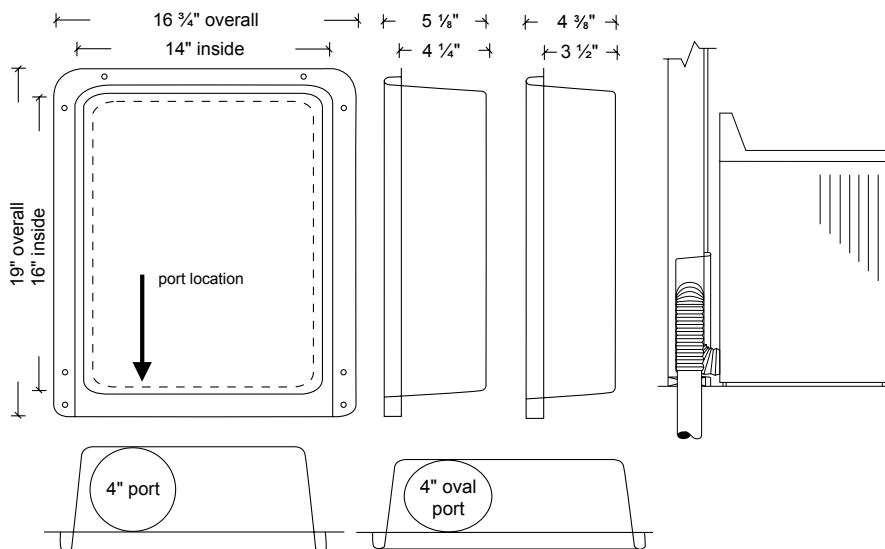
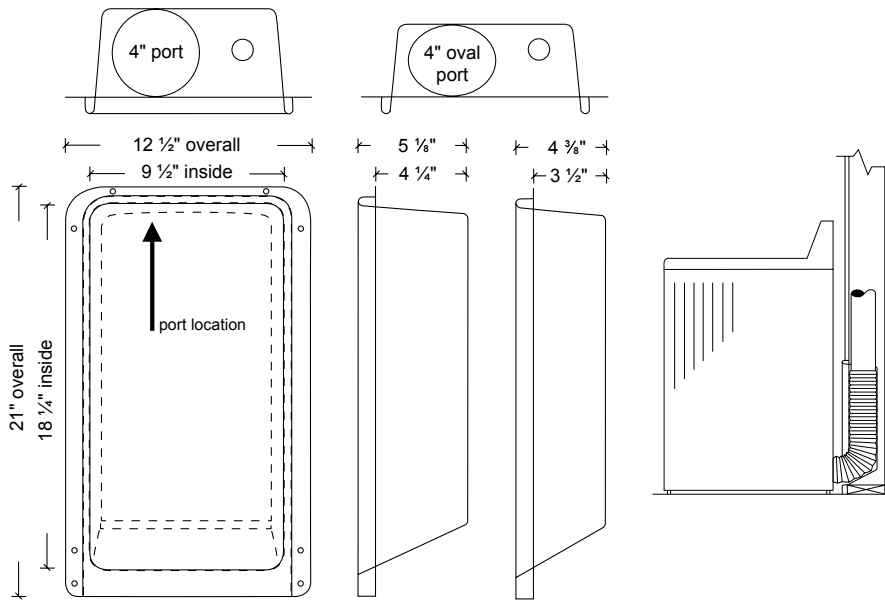
#### Upward Exhaust

#### MODEL 425

2x6 wall (SKU 677-0253)

#### MODEL 350

2x4 wall (SKU 677-0251)



#### Downward Exhaust

#### MODEL 4D

2x6 wall (SKU 677-0254)

#### MODEL 3D

2x4 wall (SKU 677-0252)

SKU Number	Model No	Wall Size	Exhaust Direction
4VDVB425122104	DVB425	2x6	Upward
4VDVB350122104	DVB350	2x4	Upward
4VDVB4D1619040	DVB4D	2x6	Downward
4VDVB3D1619040	DVB3D	2x4	Downward

#### Performance Data



#### For Use:

- Dryer vent hose receptacle
- Doubles as gas connection receptacle
- Meets code requirements as a clean-out

#### Materials:

- Model 425 and 350 deep drawn with .028 aluminized steel (22 gauge)
- Model 4D and 3D deep drawn with .031 aluminized steel (21 gauge)
- UL Classified for a one hour wall
- Made in the USA



Fire Stop Device  
For Use in Penetration Firestop Systems  
SEE UL FIRE RESISTANCE DIRECTORY  
Control No: 25XC 1 Hour F Rating

US Patent 5,476,183 and 6,419,102

#### General Information

#### Benefits:

- Locate the dryer right up against the wall
- Flex is protected from getting squished
- Lint build-up is minimized
- Efficiency is increased...clothes dry faster
- Dryer related service calls are almost eliminated
- Laundry room appears larger to prospects
- Reduces the fire hazard
- Socks and clothing can't fall behind appliance

#### Features:

- No trim-ring piece is needed
- Elbow eliminator...gain 5 foot of duct run
- Surface is paintable, no masking needed
- Applauded by Mechanical Inspectors
- Over 750,000 Dryerboxes installed

# Thanks for installing the safest dryer receptacle!

Distributed By: **Seal-Tite®**  
**DUCT, PIPE & FITTINGS**

**(800) 582-9025**



Product Features	Metal Dryerbox®	Plastic Imitations
Doubles as gas connection receptacle	x	x
For 2x4 and 2x6 wall construction	x	x
Flex hose is protected from getting squished	x	x
Able to be installed in one-hour wall	x	
Tall in height to provide sufficient recoil of flex	x	
Provides 1 1/4" space for insulation behind the receptacle	x	
No trim-ring piece is needed which is an obstacle for trim carpenter	x	
Surface is paintable	x	
Instinctively the preferred material behind hot dryer appliance	x	
Easiest to install	x	
Complete product information, support and guidelines online	x	



**Fire Stop Device**  
 For Use In Penetration Firestop Systems  
 SEE UL FIRE RESISTANCE DIRECTORY  
 Control No: 25XC 1 Hour F Rating



- ▶ Heavy 22 gauge molded aluminized steel body
- ▶ Applauded by Mechanical Inspectors
- ▶ Over 750,000 Dryerboxes installed

The Dryerbox® Recognition and Awards for being the "Valuable" and "Hottest Product"

