



# SOUTHWARK METAL MANUFACTURING COMPANY

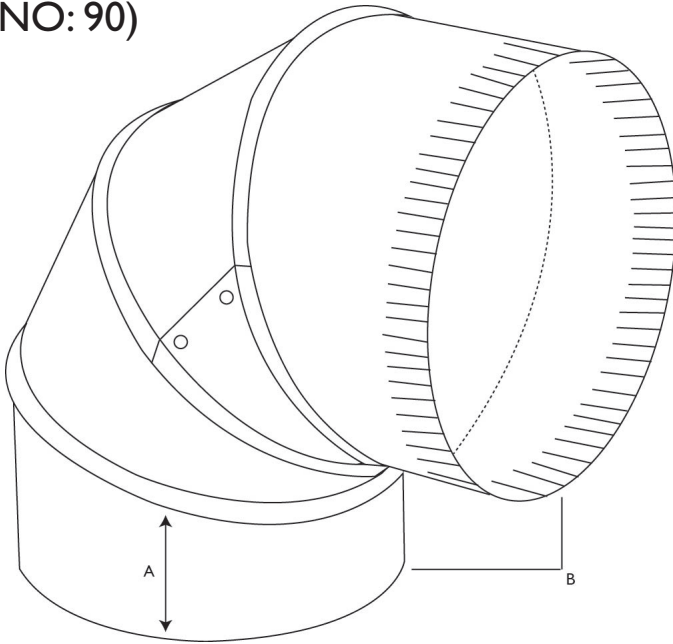
Philadelphia, PA • Greenville, SC • Indianapolis, IN • Southaven, MS • Fremont, NE • Caldwell, ID

Corporate Headquarters: 2800 Red Lion Road, Philadelphia PA 19114

tel: (800) 523-1052 • fax (800) 722-2076 • www.southwarkmetal.com

## SUBMITTAL DRAWING

### 90° ELBOW (MODEL NO: 90)



#### Product Availability

Diameter	30 Ga	28 Ga	26 Ga	24 Ga
3"	x	x	x	
4"	x	x	x	x
5"	x	x	x	x
6"	x	x	x	x
7"	x		x	x
8"	x		x	x
9"	x		x	x
10"	x		x	x
12"	x		x	x
14"			x	x
16"			x	x
18"			x	x
20"			x	x
22"			x	x
24"			x	x

Diameter	A	B	Diameter	A	B
3"	1 1/2"	2 1/2"	12"	1 5/8"	3"
4"	1 7/8"	3"	14"	2 1/8"	4"
5"	1 3/4"	3"	16"	2 1/4"	3 1/2"
6"	1 7/8"	3 1/8"	18"	1 5/8"	3 1/2"
7"	2"	3 1/4"	20"	1 7/8"	4 1/2"
8"	2"	3 3/8"	22"	1 3/4"	5 1/2"
9"	2"	3 3/8"	24"	2"	6 3/8"
10"	2 1/4"	4"			

#### SMACNA Gauge Requirements for Galvanized Steel

Duct Diameter	2" w.g. max Positive Pressure	Duct Diameter	2" w.g. max Negative Pressure
3" - 8"	28 Ga	6" - 10"	28 Ga
9" - 14"	26 Ga	12"	26 Ga
15" - 26"	24 Ga	14" - 16"	24 Ga
		18" - 20"	22 Ga
		22" - 26"	20 Ga

From SMACNA HVAC Duct Construction Standards Metal and Flexible, 2nd Ed (1995); 3.3 & 3.8

### NOTES

- Material: Hot Dipped Galvanized Steel per ASTM A653 CS Type B
- Crimp and bead male connection and straight female connection
- 1" crimp length
- Meets +/- 2" W.G. pressure overall
- 1/2" overlap for riveting using 1/8" rivets
- RL-2 rivet seam; meets +/- 4" w.g. pressure
- 3" through 20" diameters = 4 pc. assembly
- 22" through 24" diameters = 5 pc. assembly
- Aluminum and type 304 stainless steel pipe available in certain sizes and gauges

JOB NAME: \_\_\_\_\_  
 LOCATION: \_\_\_\_\_  
 ARCHITECT: \_\_\_\_\_  
 ENGINEER: \_\_\_\_\_  
 CONTRACTOR: \_\_\_\_\_

DATE: 01/03/13

SW-SLPNE

SD-0004

Snaplock Pipe  
 MODEL NO: SL