



SOUTHWARK METAL MANUFACTURING COMPANY

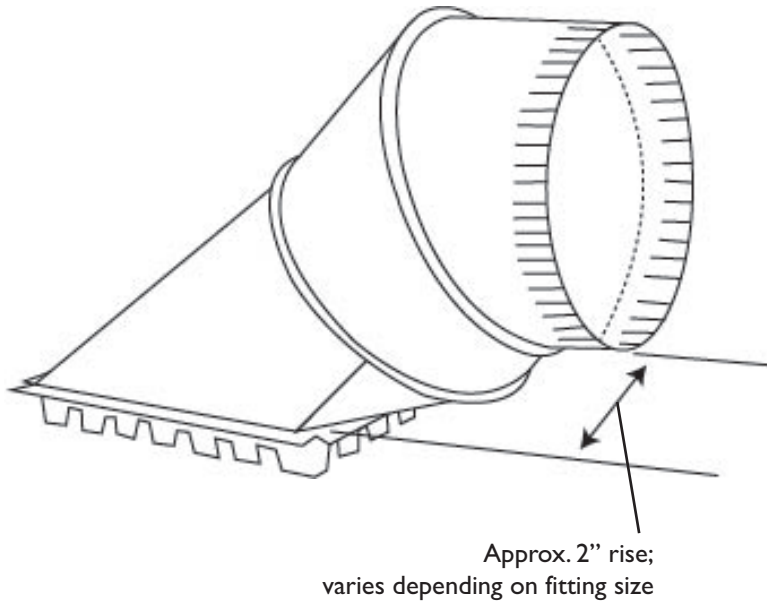
Philadelphia, PA • Greenville, SC • Indianapolis, IN • Southaven, MS • Fremont, NE • Caldwell, ID

Corporate Headquarters: 2800 Red Lion Road, Philadelphia PA 19114

tel: (800) 523-1052 • fax (800) 722-2076 • www.southwarkmetal.com

SUBMITTAL DRAWING

**ADJUSTABLE ROUND TAKEOFF
(MODEL NO: 63A)**



Pipe Size	Base Opening
4"	4x6
5"	5x6
6"	6x7
7"	7x8
8"	8x10
9"	9x11
10"	10x12
12"	12x16
14"	14x19

NOTES

- Material: Hot Dipped Galvanized Steel per ASTM A653 CS Type B
- 30 Ga
- 1/2" flange/tabs
- Approximate 2" rise; varies per pipe size

JOB NAME: _____
 LOCATION: _____
 ARCHITECT: _____
 ENGINEER: _____
 CONTRACTOR: _____

DATE: 10/31/12

SW-ADTOGVL

SD-0048

Adjustable Round Takeoff
 MODEL NO: 63A