

BR 70

Energy Recovery Ventilator Standard



INDOOR UNIT Duct Mounted or Thru-the-Wall



Download specification at:
renewaire.com/specifications

SPECIFICATIONS

Ventilation Type:
Static plate, heat and humidity transfer

Typical Airflow Range: 40-70 CFM

Standard Features:

- Painted cabinet
- Line-cord power supply
- Built-in control
- Unit may be mounted in any orientation

Control:

Built-in proportional runtime control and switched terminals for furnace/AC interconnect

Filters:

Total qty. 2, MERV 8, spun-polyester media:
7 1/2" x 10 1/2" x 1"

Unit Dimensions & Weight:

29 3/4" L x 19 1/4" W x 10 3/4" H
38 lbs.

Max. Shipping Dimensions & Weight (in carton):

30" L x 22" W x 15" H
50 lbs.

Motor(s):

Qty. 1, Double-shaft standard motor

Accessories:

- Backdraft damper 6"
- Wall cap 6" - white, brown
- Exterior thru-the-wall installation kit
- Duct collar kit

Note: Electric Duct Heater and Indirect Gas-Fired Duct Furnace are not available on the BR70.

ELECTRICAL DATA

HP	Volts	HZ	Phase	Input Watts	FLA
0.08	120	60	Single	94 @ 69 CFM	1.0

UNIT PERFORMANCE

Airflow CFM	ESP in H ₂ O
46	0.40
59	0.30
73	0.20
86	0.10

CORE PERFORMANCE

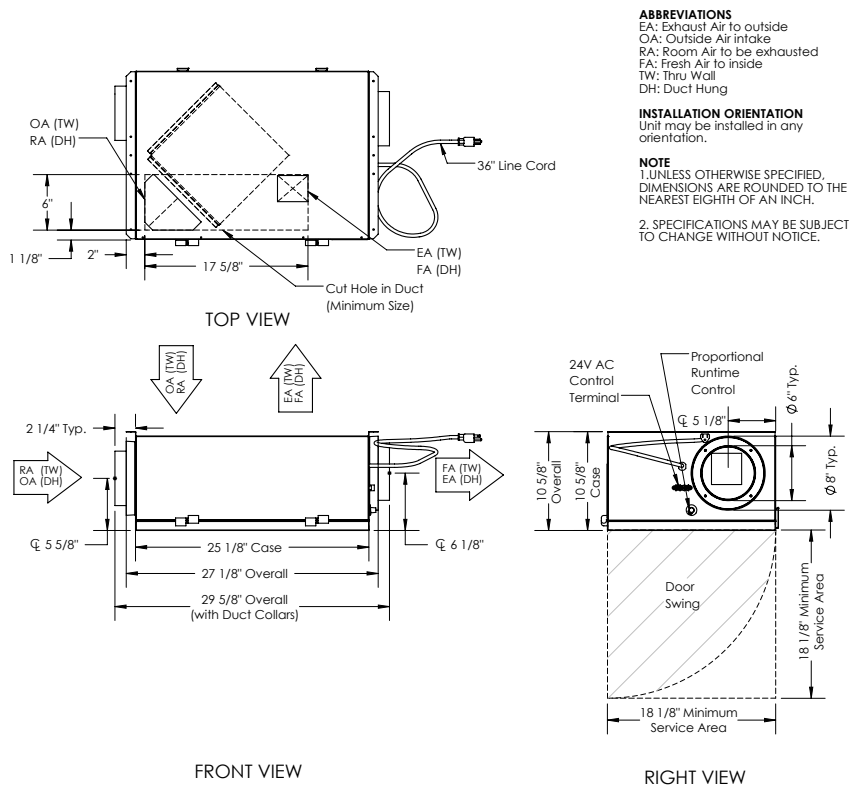
Temp EFF%	Total EFF% Winter/Summer*
80	75/62
77	72/58
75	69/54
72	66/51

* See performance ratings per CSA C439 on page 165 of RenewAire's Full Line Volume XVIII Catalog.

UNIT DIMENSIONS

AIRFLOW CONFIGURATION
Available as shown in dimension drawing.

UNIT MOUNTING & APPLICATION
Can be mounted in any orientation. If duct-mounted, airstreams cannot be switched. If mounted with exterior Thru-the-wall installation kit, the RA/EA airstreams are switched with the OA/FA airstreams. If four ducts are connected using duct collar kit, airstreams may be switched.



Specifications may be subject to change without notice.