



**Builder's Best, Inc.**  
 201 Broiles Drive  
 Jacksonville, TX 75766  
 888-368-7233  
 fax: 800-259-8368  
 www.BuildersBest.com

# LOUVERED PLASTIC HOOD

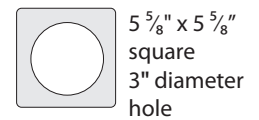
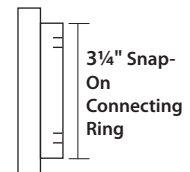
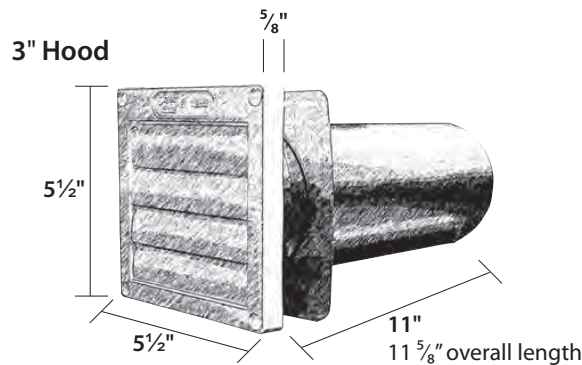
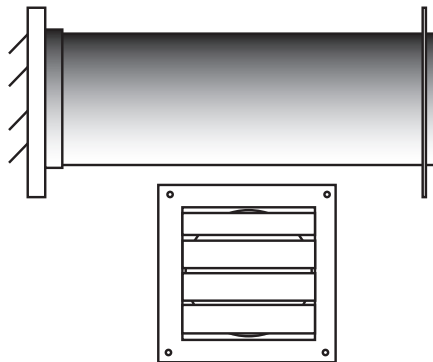
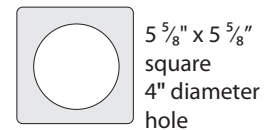
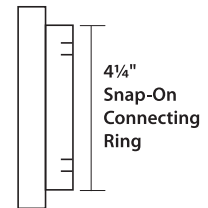
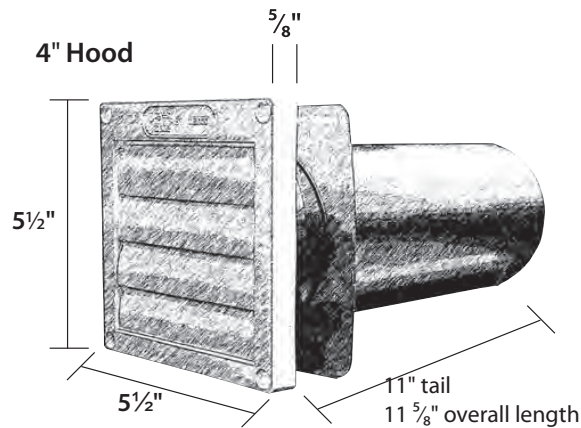
## PRODUCT SPECIFICATIONS



- Polypropylene molded plastic
- Molded snap ring for easy connection to pipe
- Four free swinging louvers
- Aluminum trim plate
- Aluminum tailpipe
- 4 mounting holes
- Fully Assembled

## PART NUMBERS

Diameter	Color	Part #	Qty	Package
3"	White	110280	12	Bulk
		110334	4	Ind. Box
4"	Brown	110281	12	Bulk
		110282	12	Bulk
	White	111412	12	Display Card
		110336	4	Ind. Box
Unassembled:	Brown	110283	12	Bulk
		111414	12	Display card
		110388	4	Ind. Box
4"	White	111692	12	Bulk
		111734	12	Bulk



## LABELS



Made in the U.S.A.

## WARRANTY

Manufacturer assumes no responsibility for failure due to improper installation. All specifications and designs are subject to change without notice and without incurring liability.

**WARRANTY EXCLUSION AND DISCLAIMER** Seller specifically excludes, and hereby disclaims any express representation or express warranty of any kind with respect to the goods ordered hereunder. All implied warranties, including without limitation merchantability or fitness for a particular purpose or arising from a course of dealing or usage or trade shall expire and cease 45 days after date of delivery. Seller shall not be liable to buyer or any third party for any special, secondary, incidental, or consequential damages however arising. Nothing in this provision shall invalidate or restrict any right or remedy otherwise available under state or federal law. Materials and specifications subject to change without notice.