



# M&M Manufacturing Company

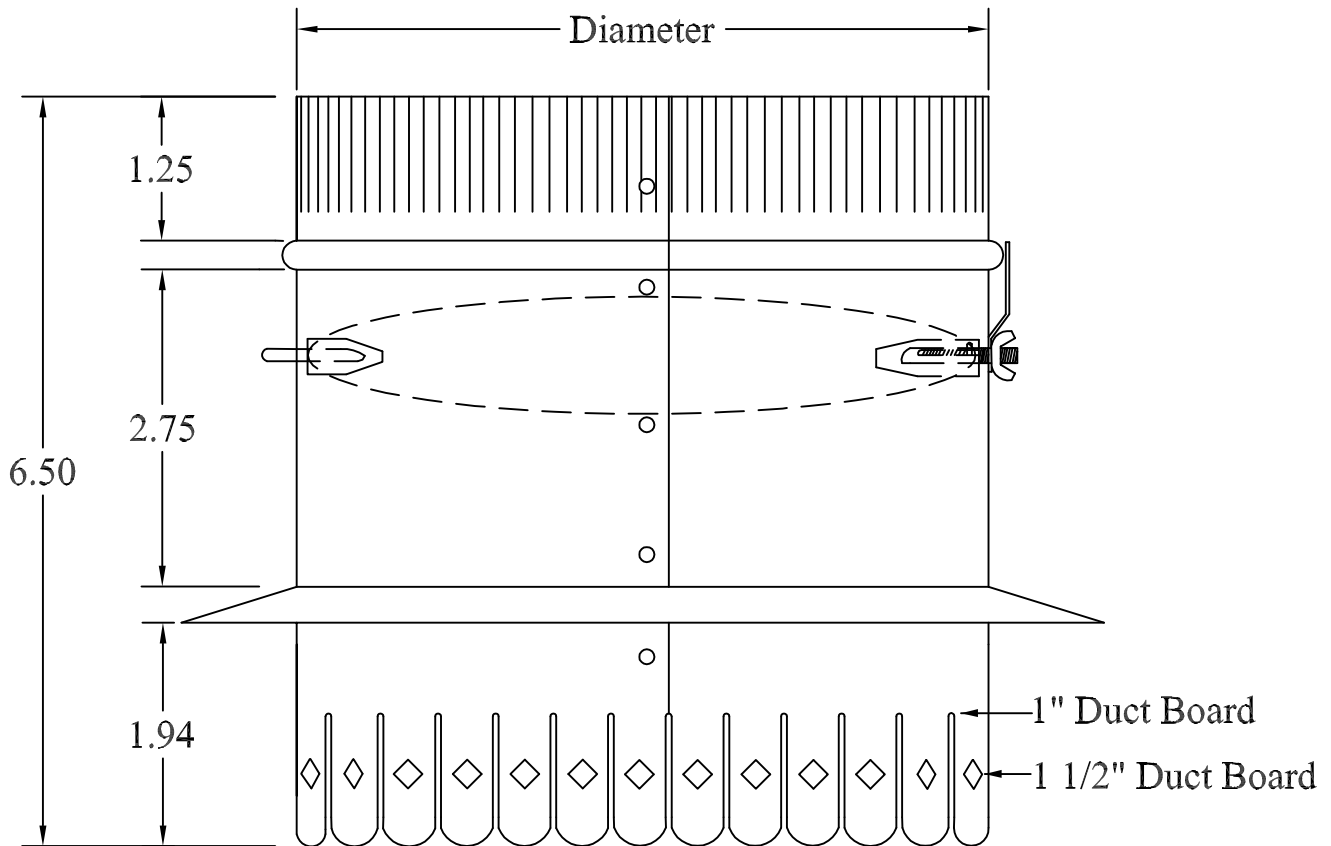
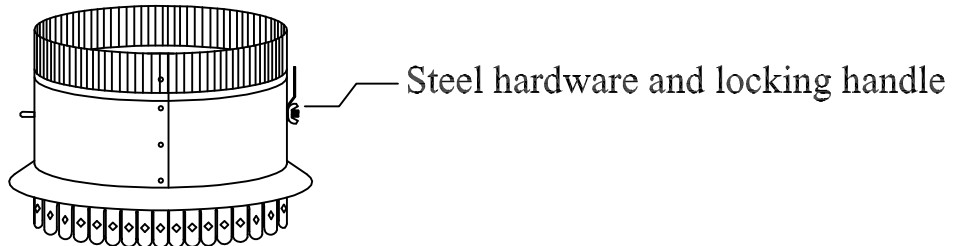
[www.mmmfg.com](http://www.mmmfg.com)

FORT WORTH (MkIV)  
(817)-336-2311

FORT WORTH (Adolph)  
(817)-334-0034

DALLAS  
(972)-485-1504

HOUSTON  
(713)-690-0585



**PART #:** 507D(Size) | **DESCRIPTION:** Round metal starting collar w/damper for Ductboard

**NOTES:** Material: 4" - 10" = 30 ga.; 12" - 20" = 28 ga.

ASTM-A653 CS B galvanized steel

Order as Pt# 507D(diameter in inches)