



M&M Manufacturing Company

www.mmmfg.com

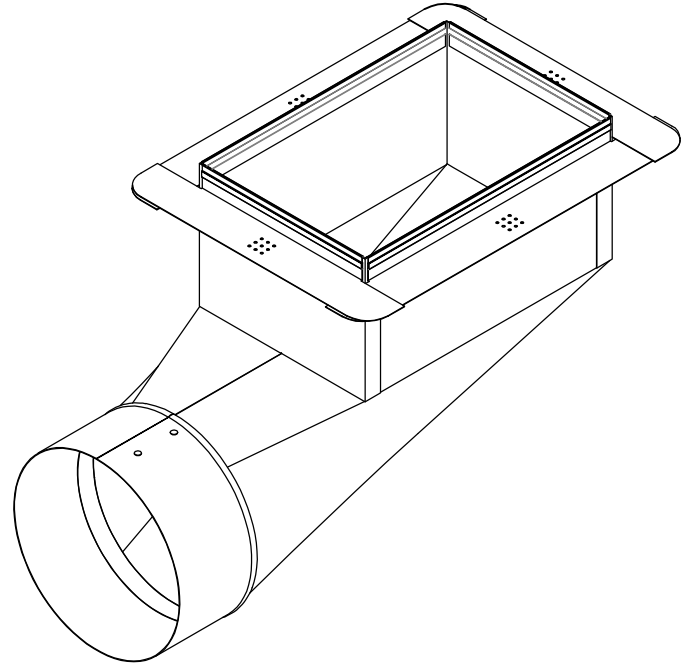
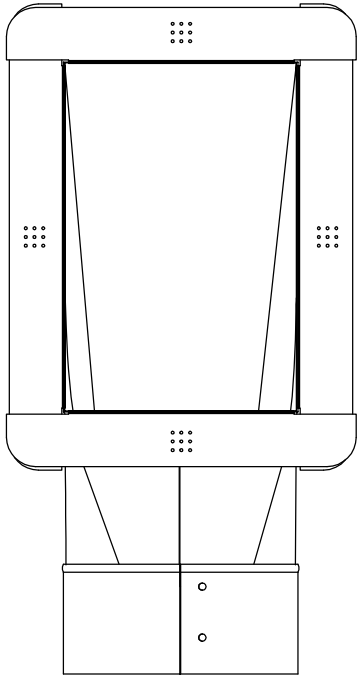
FORT WORTH
(Mark IV Pkwy)
(817)-336-2311

FORT WORTH
(Adolph)
(817)-334-0034

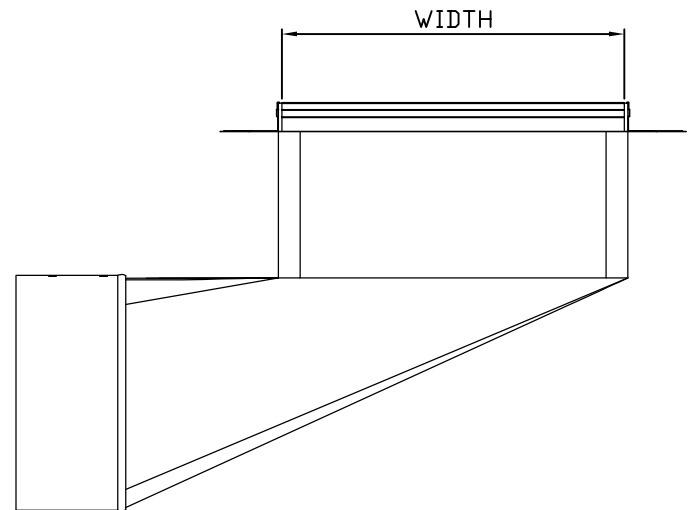
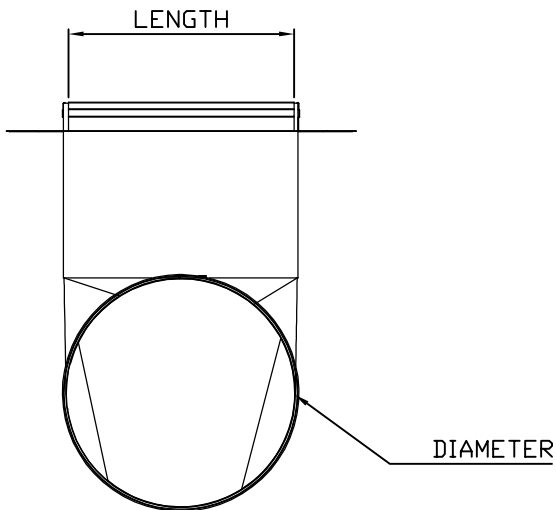
DALLAS
(972)-485-1504

HOUSTON
(713)-690-0585

LITTLE ROCK
(501)-888-3042



ISOMETRIC VIEW



PART #: 202RF

DESCRIPTION: 202R CENTER-END FLANGED REGISTER BOOTS

NOTES: The #202RF Center-End Register Boot w/Flange is made in 8 popular sizes for connecting to 5",6",7",8" and 9" round duct.

ASTM-A653 CS B galvanized steel

Order as Pt# 202RF (size)