



M&M Manufacturing Company

www.mmmfg.com

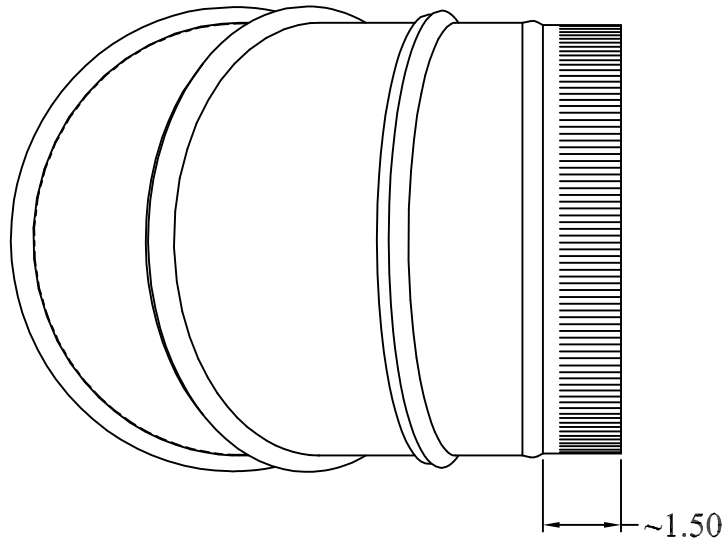
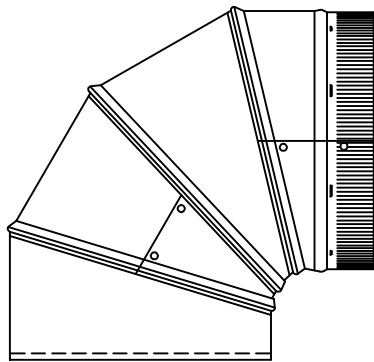
FORT WORTH (MkIV)
(817)-336-2311

FORT WORTH (Adolph)
(817)-334-0034

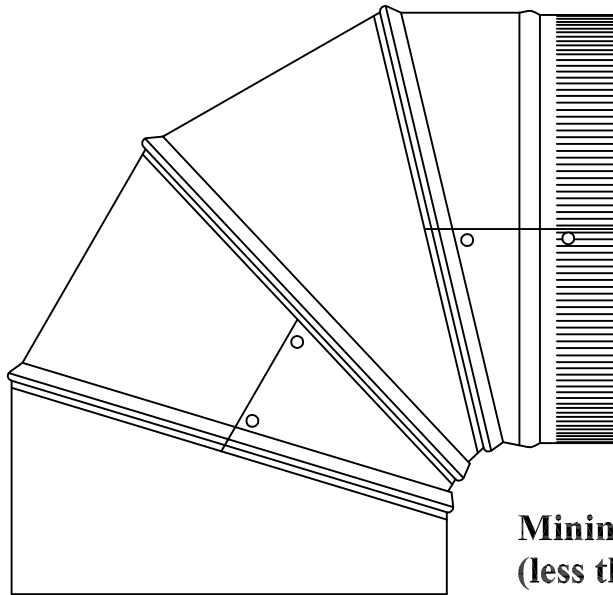
DALLAS
(972)-485-1504

HOUSTON
(713)-690-0585

OPTION
Pt#: 125(Size)B



For use with #110 "NuLock" pipe
Includes button locks and hemmed edge



**Minimum radius
(less than 1x CL)**

PART #: 125(Size) **DESCRIPTION:** Round adjustable 90o elbow

NOTES: Material: 3" - 10" = 30 ga.; 12" - 14" = 28 ga.; 16" - 18" = 26 ga.; 20" - 24" = 24 ga.
ASTM-A653 CS B galvanized steel
4 gore, adjustable from 90o to straight
Pt# 125(Size)B for use with "NuLock" pipe available sizes 5" - 14"
Order as Pt# 125(Diameter in inches)(B if "NuLock" style desired)