

April 2012

No. OCB410

REVISED EDITION-D

PARTS CATALOG

CITY MULTI Series Ceiling Cassettes

R410A / R22

Indoor unit

[Model names]

PLFY-P08NCMU-E

PLFY-P12NCMU-E

PLFY-P15NCMU-E

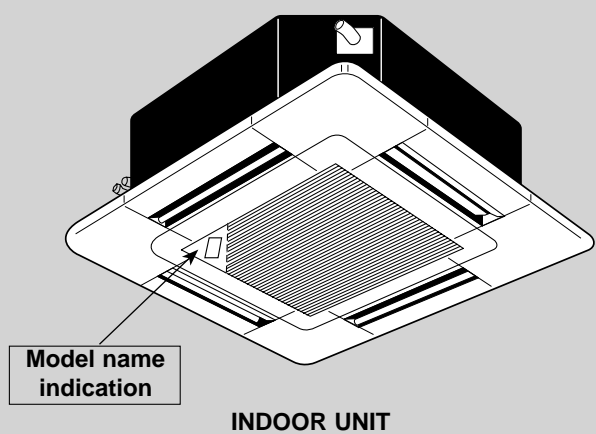
[Service Ref.]

PLFY-P08NCMU-E.TH
 PLYF-P08NCMU-E1.TH
 PLYF-P08NCMU-ER2.TH
 PLYF-P08NCMU-ER3.TH
 PLYF-P08NCMU-ER4.TH
 PLYF-P12NCMU-E.TH
 PLYF-P12NCMU-E1.TH
 PLYF-P12NCMU-ER2.TH
 PLYF-P12NCMU-ER3.TH
 PLYF-P12NCMU-ER4.TH
 PLYF-P15NCMU-E.TH
 PLYF-P15NCMU-E1.TH
 PLYF-P15NCMU-ER2.TH
 PLYF-P15NCMU-ER3.TH
 PLYF-P15NCMU-ER4.TH

Revision:
 • PLYF-P08/12/15NCMU-ER4.TH have been added in REVISED EDITION-D.
 • Some descriptions have been modified.

• Please void OCB410 REVISED EDITION-C.

NOTE:
 • RoHS compliant products have <G> mark on the spec name-plate.



CONTENTS

1. RoHS PARTS LIST.....2

SERVICE MANUAL (OCH410)



CITY MULTI

FUNCTIONAL PARTS

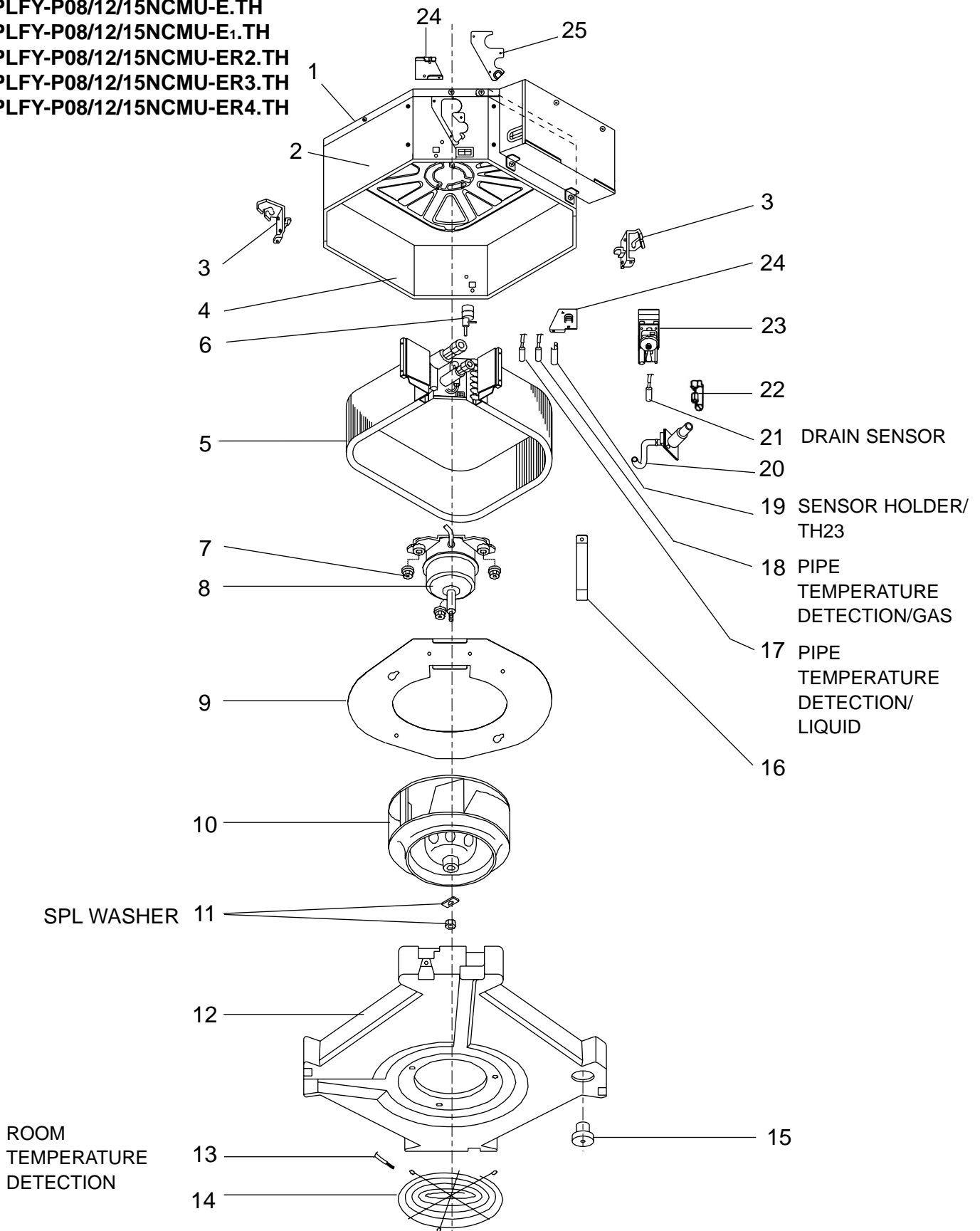
PLFY-P08/12/15NCMU-E.TH

PLFY-P08/12/15NCMU-E1.TH

PLFY-P08/12/15NCMU-ER2.TH

PLFY-P08/12/15NCMU-ER3.TH

PLFY-P08/12/15NCMU-ER4.TH



RoHS PARTS LIST

No.	RoHS	Parts No.			Parts name	Specification	Q'ty/set						Remarks (Drawing No.)	Wiring Diagram Symbol	Recom- mended Q'ty
							PLFY								
							P08	P12	P15	P08	P12	P15			
							NCMU-E.TH NCMU-E1.TH NCMU-ER2.TH NCMU-ER3.TH			NCMU-ER4.TH					
1	G	E17	323	290	BASE		1	1	1	1	1	1			
2	G	E17	323	124	DRUM-1		1	1	1	1	1	1			
3	G	E17	323	808	LEG-1		2	2	2	2	2	2			
4	G	E17	324	124	DRUM-2		1	1	1	1	1	1			
5	G	E17	323	620	INDOOR HEAT EXCHANGER		1			1					
	G	E17	324	620	INDOOR HEAT EXCHANGER			1	1		1	1			
6	G	E17	154	640	LINEAR EXPANSION VALVE		1	1	1	1	1	1		LEV	
7	G	E17	104	105	MOTOR MOUNT		3	3	3	3	3	3			
8	G	E17	323	300	INDOOR FAN MOTOR	PK6N15-LA	1			1				MF	
	G	E17	324	300	INDOOR FAN MOTOR	PK6N20-LA		1			1			MF	
	G	E17	325	300	INDOOR FAN MOTOR	PK6N21-LA			1			1		MF	
9	G	E17	104	816	FLAT PLATE		1	1	1	1	1	1			
10	G	E17	756	502	TURBO FAN		1	1	1						
	G	E17	766	502	TURBO FAN					1	1	1			
11	G	E17	439	097	SPL WASHER		1	1	1						
	G	E17	766	097	SPL WASHER					1	1	1			
12	G	E17	323	700	DRAIN PAN		1	1	1	1	1	1			
13	G	E17	154	308	ROOM TEMPERATURE DETECTION		1	1	1	1	1	1		TH21	
14	G	E17	104	520	FAN GUARD		1	1	1	1	1	1			
15	G	E17	104	524	DRAIN PLUG		1	1	1	1	1	1			
16	G	E17	104	648	COIL SUPPORT		1	1	1	1	1	1			
17	G	E17	154	307	PIPE TEMPERATURE DETECTION/LIQUID		1	1	1	1	1	1		TH22	
18	G	E17	154	309	PIPE TEMPERATURE DETECTION/GAS		1	1	1	1	1	1		TH23	
19	G	E17	154	241	SENSOR HOLDER/TH23	(TH23)	1	1	1	1	1	1			
20	G	E17	323	702	DRAIN HOSE		1	1	1	1	1	1			
21	G	E17	104	266	DRAIN SENSOR		1	1	1	1	1	1		DS	
22	G	E17	104	241	SENSOR HOLDER	(DS)	1	1	1	1	1	1			
23	G	E17	104	355	DRAIN PUMP		1	1	1	1	1	1		DP	
24	G	E17	323	809	LEG-2		2	2	2	2	2	2			
25	G	E17	323	006	COVER (DRUM)		1	1	1	1	1	1			

RoHS PARTS LIST

ELECTRICAL PARTS

PLFY-P08NCMU-E.TH

PLFY-P08NCMU-E₁.TH

PLFY-P08NCMU-ER2.TH

PLFY-P08NCMU-ER3.TH

PLFY-P08NCMU-ER4.TH

PLFY-P12NCMU-E.TH

PLFY-P12NCMU-E₁.TH

PLFY-P12NCMU-ER2.TH

PLFY-P12NCMU-ER3.TH

PLFY-P12NCMU-ER4.TH

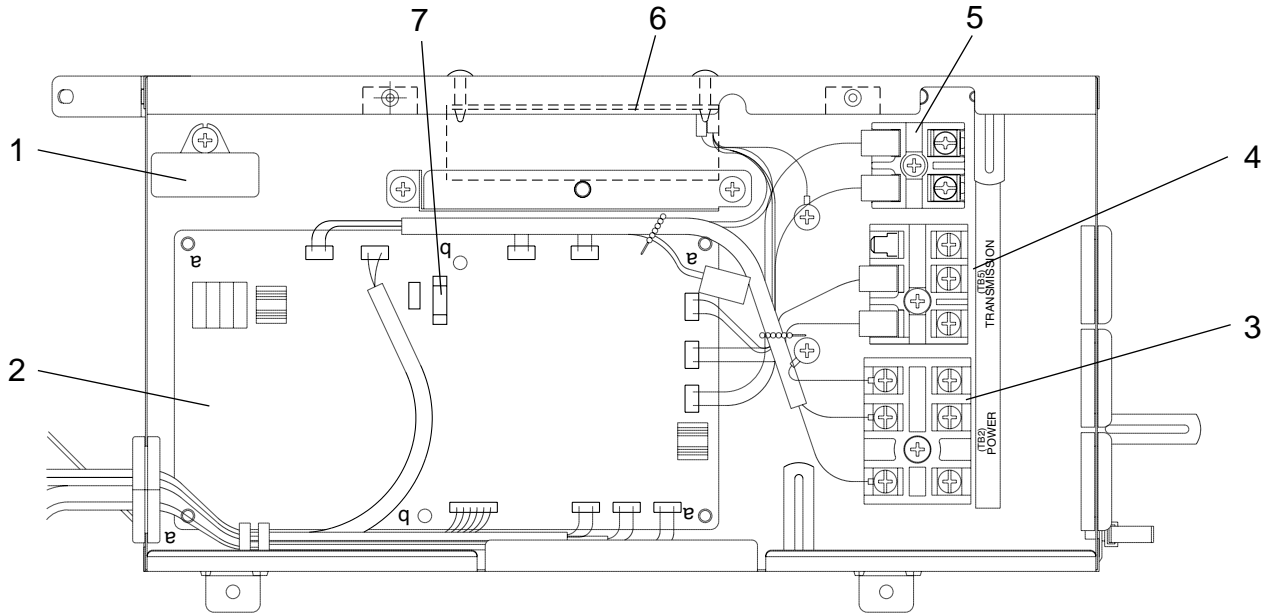
PLFY-P15NCMU-E.TH

PLFY-P15NCMU-E₁.TH

PLFY-P15NCMU-ER2.TH

PLFY-P15NCMU-ER3.TH

PLFY-P15NCMU-ER4.TH



7LC001-E01_01

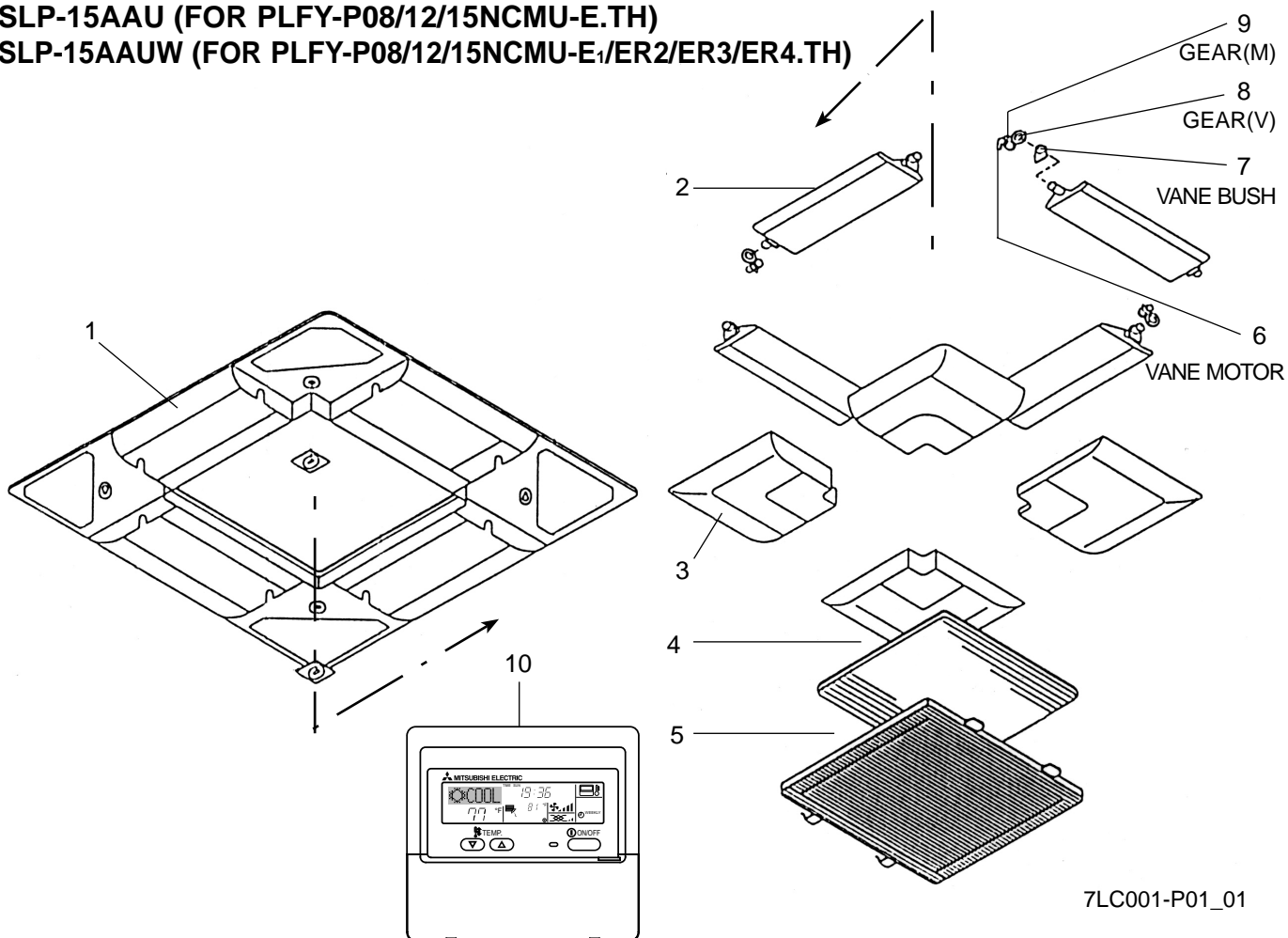
No.	RoHS	Parts No.	Parts name	Specification	Q'ty/set									Remarks (Drawing No.)	Wiring Diagram Symbol	Recom- mended Q'ty
					PLFY											
					P08			P12			P15					
					NCMU-E.TH NCMU-E ₁ .TH	NCMU-ER2.TH NCMU-ER3.TH	NCMU-ER4.TH									
1	G	E12 542 351	CAPACITOR	1.5 μ F / 440VAC	1	1	1	1	1	1	1	1	1		C1	
2	G	E17 323 447	INDOOR CONTROLLER BOARD		1										I.B	
	G	E17 324 447	INDOOR CONTROLLER BOARD			1									I.B	
	G	E17 325 447	INDOOR CONTROLLER BOARD				1								I.B	
	G	E17 580 447	INDOOR CONTROLLER BOARD					1	1	1					I.B	
	G	E17 796 447	INDOOR CONTROLLER BOARD								1	1	1		I.B	
3	G	E17 323 375	TERMINAL BLOCK	3P(L1,L2,GR)	1	1	1	1	1	1	1	1	1		TB2	
4	G	E17 154 375	TERMINAL BLOCK	3P(M1,M2,S)	1	1	1	1	1	1	1	1	1		TB5	
5	G	E17 156 375	TERMINAL BLOCK	2P(1,2)	1	1	1	1	1	1	1	1	1		TB15	
6	G	E17 154 440	INDOOR POWER BOARD		1	1	1	1	1	1	1	1	1		P.B	
7	G	E17 250 382	FUSE	250V 6.3A	1	1	1	1	1	1	1	1	1		FUSE	

RoHS PARTS LIST

PANEL PARTS

SLP-15AAU (FOR PLFY-P08/12/15NCMU-E.TH)

SLP-15AAUW (FOR PLFY-P08/12/15NCMU-E1/ER2/ER3/ER4.TH)



7LC001-P01_01

No.	RoHS	Parts No.	Parts name	Specification	Q'ty/set		Remarks (Drawing No.)	Wiring Diagram Symbol	Recom- mended Q'ty
					SLP-15				
					AAU	AAUW			
1	G	E17 322 003	AIR OUTLET GRILLE		1		Including H2	H2	
	G	E17 425 003	AIR OUTLET GRILLE			1	Including H2	H2	
2	G	E17 103 037	AUTO VANE		4				
	G	E17 425 037	AUTO VANE			4			
3	G	E17 103 975	CORNER PANEL		4				
	G	E17 423 975	CORNER PANEL			4			
4	G	E17 103 100	AIR FILTER		1	1			
5	G	E17 103 010	INTAKE GRILLE		1				
	G	E17 423 010	INTAKE GRILLE			1			
6	G	E17 103 303	VANE MOTOR		4	4		MV	
7	G	E17 103 044	VANE BUSH		8				
	G	E17 425 044	VANE BUSH			8			
8	G	E17 103 031	GEAR (V)		4	4			
9	G	E17 103 032	GEAR (M)		4	4			
10	G	-	REMOTE CONTROLLER	PAR-21MAA	1	1			

CITY MULTI

MITSUBISHI ELECTRIC CORPORATION

HEAD OFFICE : TOKYO BLDG., 2-7-3, MARUNOUCHI, CHIYODA-KU, TOKYO 100-8310, JAPAN

©Copyright 2006 MITSUBISHI ELECTRIC CORPORATION
Distributed in Apr. 2012 No. OCB410 REVISED EDITION-D
Distributed in Dec. 2011 No. OCB410 REVISED EDITION-C
Distributed in Jun. 2009 No. OCB410 REVISED EDITION-B PDF 6
Distributed in Jul. 2007 No. OCB410 REVISED EDITION-A PDF 8
Distributed in Nov. 2006 No. OCB410 PDF 8
Made in Japan

New publication, effective Apr. 2012
Specifications are subject to change without notice.