

SERVICE PARTS LIST FOR MITSUBISHI ELECTRIC PACKAGED AIR-CONDITIONERS

Series : PEFY-P•NMHU-E

For use with the R410A

REVISED

Sept. 2013

BWE0520D

INDEX

**PEFY-P15NMHU-E
PEFY-P18NMHU-E
PEFY-P24NMHU-E
PEFY-P27NMHU-E
PEFY-P30NMHU-E
PEFY-P36NMHU-E
PEFY-P48NMHU-E
PEFY-P54NMHU-E
PEFY-P72NMHU-E
PEFY-P96NMHU-E**

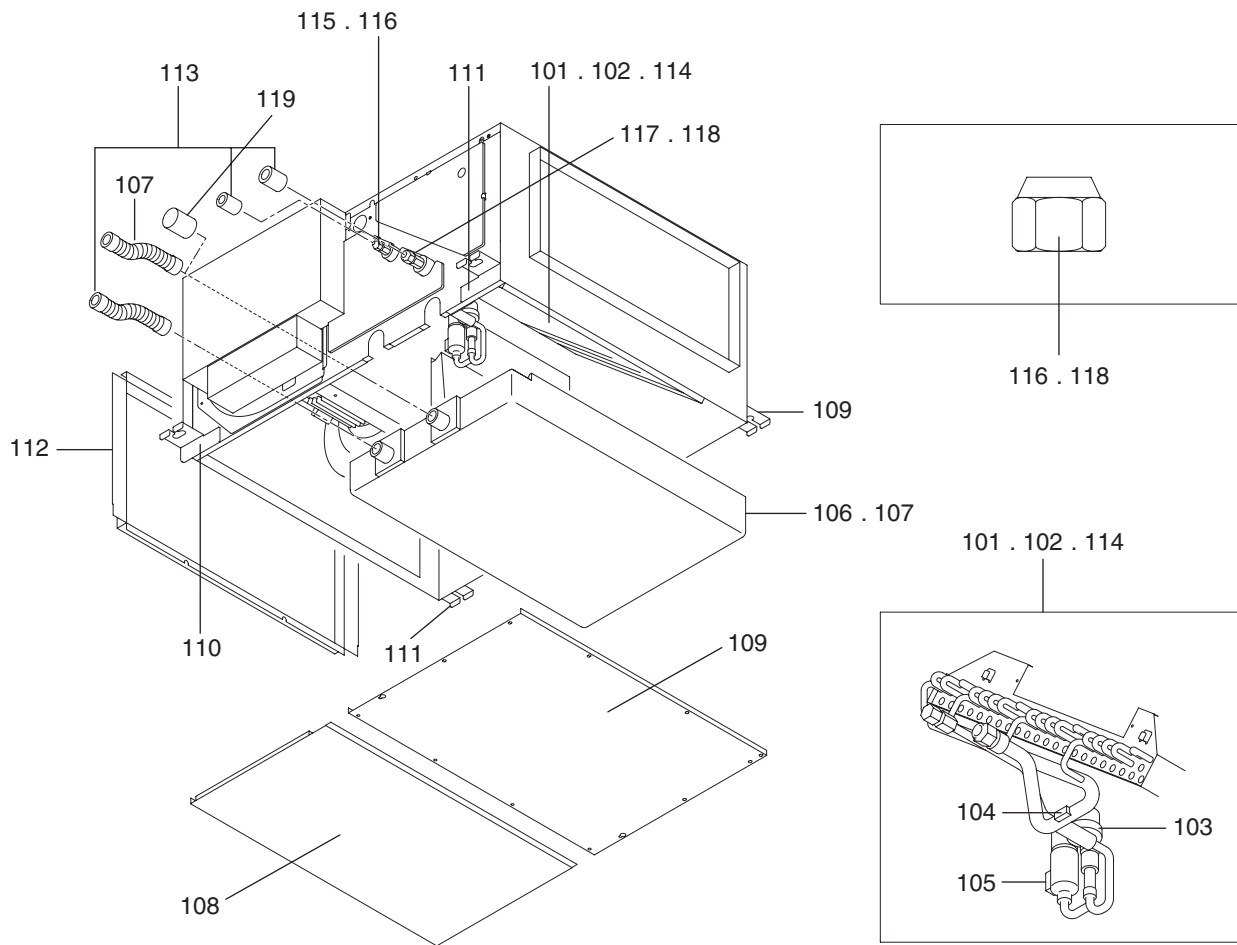
Part information update day : **2013/09/03**

Please change the old catalog (issued Mar. 2012, BWE0520C) to this new catalog.
Content of revision : Some of parts are changed.

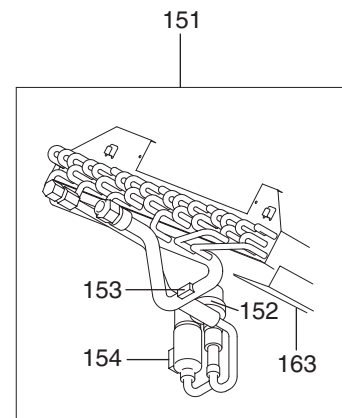
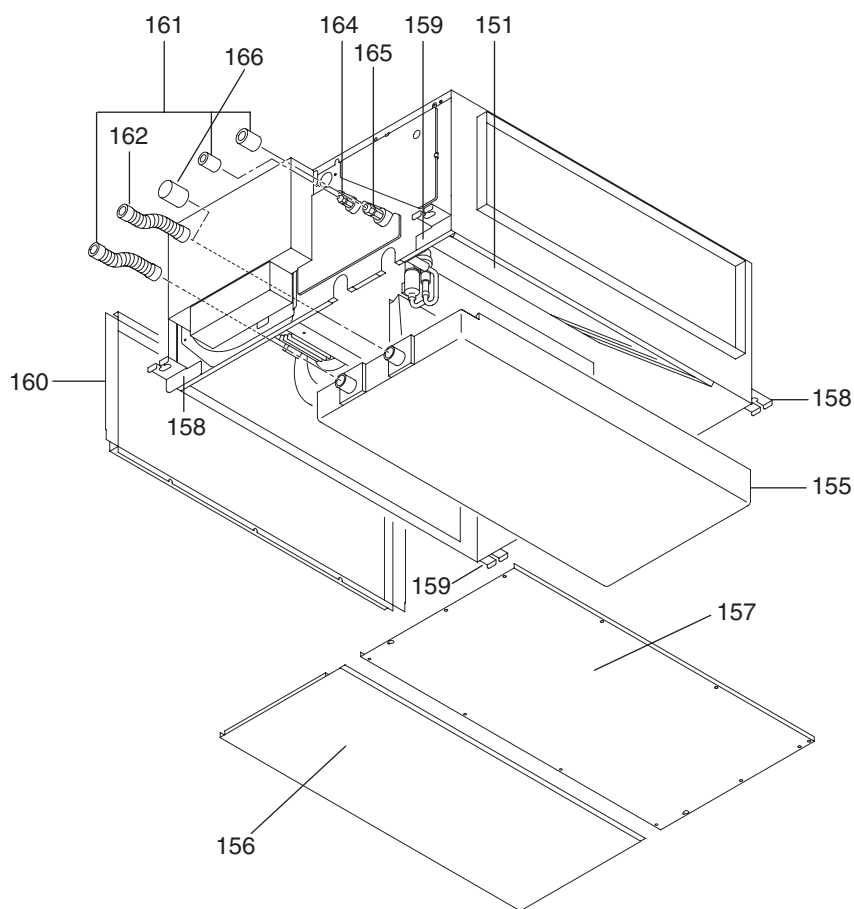


PEFY-P15NMHU-E
PEFY-P18NMHU-E
PEFY-P24NMHU-E

EXTERNAL PARTS (1)



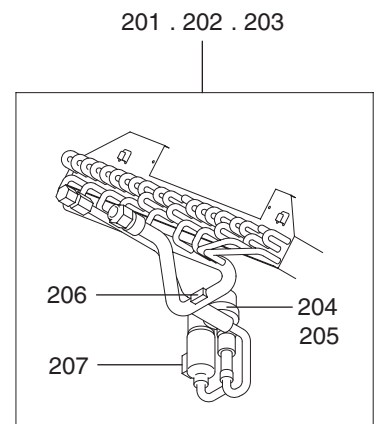
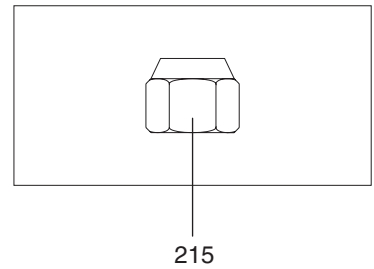
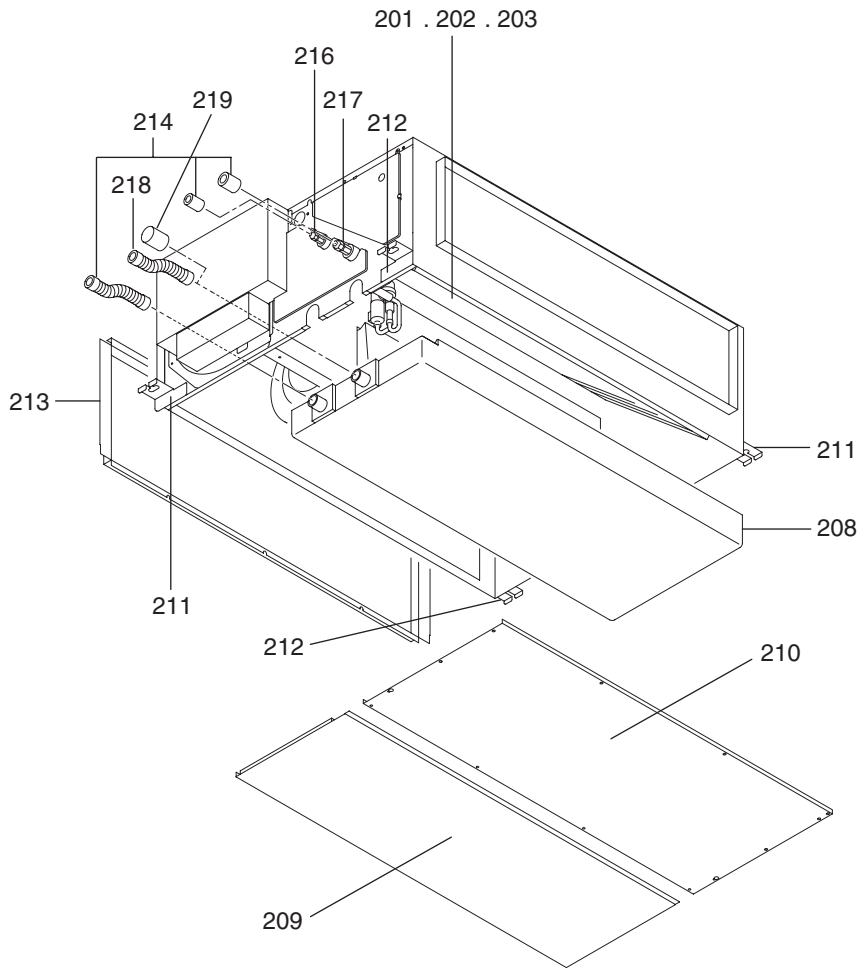
No.	Part No.	G : RoHS Apply Only W : RoHS Apply by Running Change		Spec.	PEFY-P15NMHU-E	PEFY-P18NMHU-E	PEFY-P24NMHU-E				Dwg. No.	Notes for the models	Revision info.
			Part Name										
101	R61 Y30 483	W	Heat exchanger assy	P15	1						W275136GS0		Chg.
102	R61 596 480	G	Heat exchanger assy	P18		1					KB00J814G23		Chg.
103	R63 013 401	G	Linear expansion valve	EFM-40YGMD-5	1	1	1				P632463X01		Chg.
104	R63 358 203	G	Thermistor		1	1	1				P425458X02	<TH23>	
105	R63 358 202	G	Thermistor		1	1	1				KB78U230G01	<TH22>	
106	R61 068 529	G	Drain pan		1	1	1				W662621G22		
107	R61 Y02 525	W	Drain hose set		1	1	1				W650735G20		
108	R61 038 661	G	Bottom plate assy		1	1	1				W627491G11		Chg.
109	R61 023 661	G	Bottom plate assy		1	1	1				W628696G14		
110	R63 F85 326	G	Hanging metal fittings D		2	2	2				W398771H03		
111	R63 F86 326	G	Hanging metal fittings D		2	2	2				W398771H04		
112	R63 F85 457	G	Flange assy		1	1	1				W627459G04		
113	R63 S38 526	G	Drain hose set		1	1	1				W650735G17		
114	R61 595 480	G	Heat exchanger assy	P24			1				KB00J814G24		Chg.
115	R61 008 122	G	Flare nut		1	1					KB21S916H01		
116	R63 8G0 122	G	Flare nut				1				KB21S917H01		
117	R61 006 122	G	Flare nut		1	1					KB21S918H01		
118	R63 8G1 122	G	Flare nut				1				KB21S919H01		
119	R61 E96 558	G	Rubber plug		1	1	1				P312040X01		



No.	Part No.	G : RoHS Apply Only W : RoHS Apply by Running Change	Part Name	Spec.	PEFY-P27NMHU-E	PEFY-P30NMHU-E					Dwg. No.	Notes for the models	Revision info.
151	R61 593 480	G	Heat exchanger assy	P27	1	1					KB00J815G12		Chg.
152	R63 014 401	G	Linear expansion valve	EFM-80YGMD-5	1	1					P632464X01		Chg.
153	R63 358 203	G	Thermistor		1	1					P425458X02	<TH23>	
154	R63 358 202	G	Thermistor		1	1					KB78U230G01	<TH22>	
155	R61 Y32 529	W	Drain pan		1	1					W662621G23		
156	R61 036 661	G	Bottom plate assy		1	1					W627491G12		Chg.
157	R61 022 661	G	Bottom plate assy		1	1					W628696G15		
158	R63 F85 326	G	Hanging metal fittings D		2	2					W398771H03		
159	R63 F86 326	G	Hanging metal fittings D		2	2					W398771H04		
160	R63 F88 457	G	Flange assy		1	1					W627459G05		
161	R63 S38 526	G	Drain hose set		1	1					W650735G17		
162	R61 Y02 525	W	Drain hose set		1	1					W650735G20		
163	R61 037 667	G	Partition board		1	1					KB00U996G01		Chg.
164	R63 8G0 122	G	Flare nut		1	1					KB21S917H01		
165	R63 8G1 122	G	Flare nut		1	1					KB21S919H01		
166	R61 E96 558	G	Rubber plug		1	1					P312040X01		

PEFY-P36NMHU-E
PEFY-P48NMHU-E
PEFY-P54NMHU-E

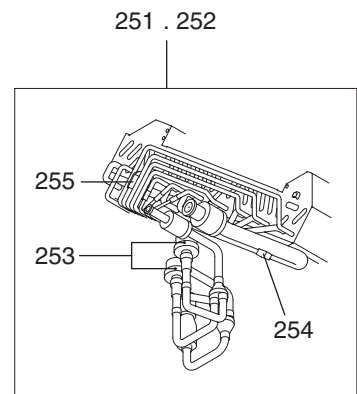
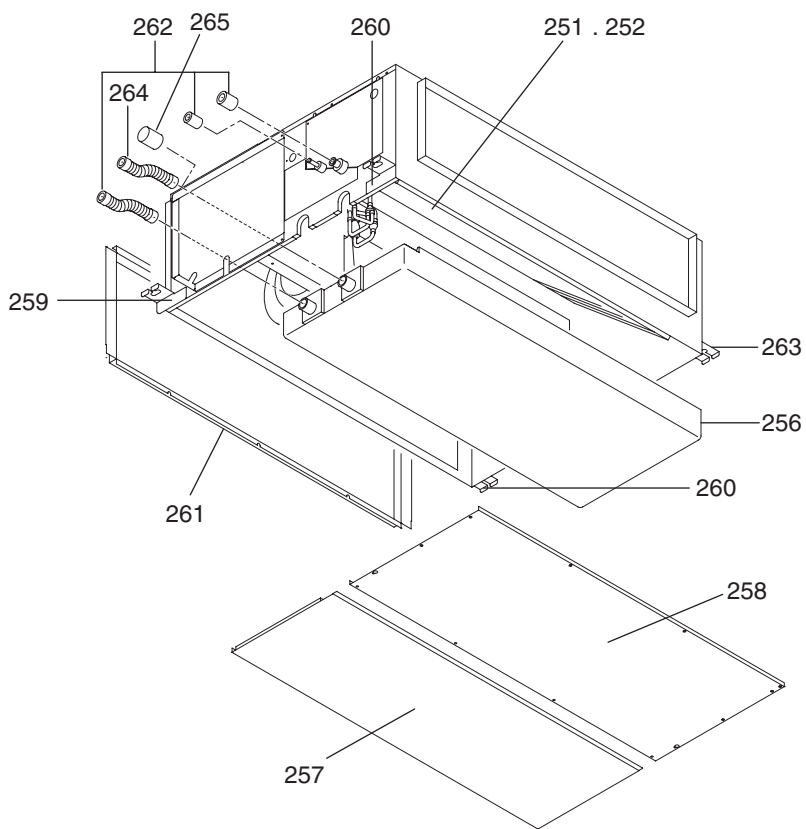
EXTERNAL PARTS (3)



PEFY-P36NMHU-E
 PEFY-P48NMHU-E
 PEFY-P54NMHU-E

EXTERNAL PARTS (3)

No.	Part No.	G : RoHS Apply Only W : RoHS Apply by Running Change	Part Name	Spec.	PEFY-P36NMHU-E	PEFY-P48NMHU-E	PEFY-P54NMHU-E				Dwg. No.	Notes for the models	Revision info.
201	R61 591 480	G	Heat exchanger assy	P36	1						KB00J816G19		Chg.
202	R61 590 480	G	Heat exchanger assy	P48		1					KB00J816G20		Chg.
203	R61 737 480	G	Heat exchanger assy	P54			1				W275136GS4		Chg.
204	R63 014 401	G	Linear expansion valve	EFM-80YGMD-5	1	1					P632464X01		Chg.
205	R61 042 401	G	Linear expansion valve	EFM-A0YGMD-8			1				P632518X01		Chg.
206	R63 358 203	G	Thermistor		1	1	1				P425458X02	<TH23>	
207	R63 358 202	G	Thermistor		1	1	1				KB78U230G01	<TH22>	
208	R61 Y33 529	W	Drain pan		1	1	1				W662621G24		
209	R61 035 661	G	Bottom plate assy		1	1	1				W627491G13		Chg.
210	R61 020 661	G	Bottom plate A assy		1	1	1				W628696G19		
211	R63 F85 326	G	Hanging metal fittings D		2	2	2				W398771H03		
212	R63 F86 326	G	Hanging metal fittings D		2	2	2				W398771H04		
213	R63 F90 457	G	Flange assy		1	1	1				W627459G06		
214	R63 S38 526	G	Drain hose set		1	1	1				W650735G17		
215	R63 M03 122	G	Flare nut		1	1	1				W457611H05	<R22>	
216	R63 8G0 122	G	Flare nut		1	1	1				KB21S917H01		
217	R63 8G1 122	G	Flare nut		1	1	1				KB21S919H01		
218	R61 Y02 525	W	Drain hose set		1	1	1				W650735G20		
219	R61 E96 558	G	Rubber plug		1	1	1				P312040X01		



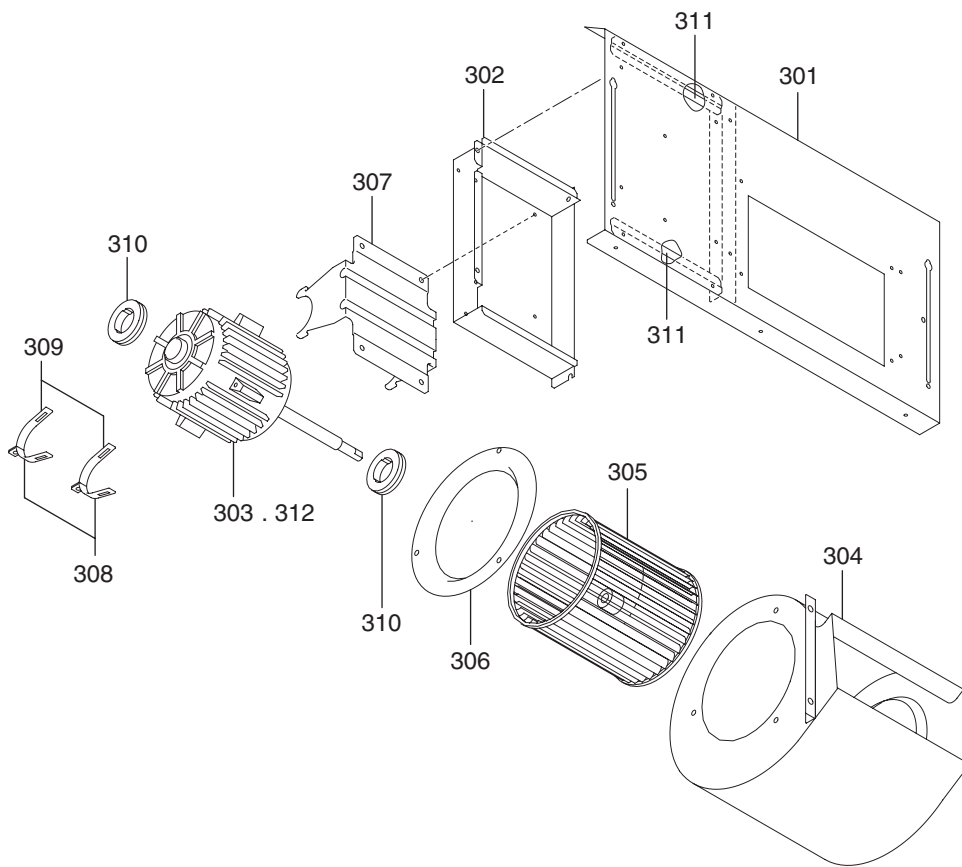
PEFY-P72NMHU-E
PEFY-P96NMHU-E

EXTERNAL PARTS (4)

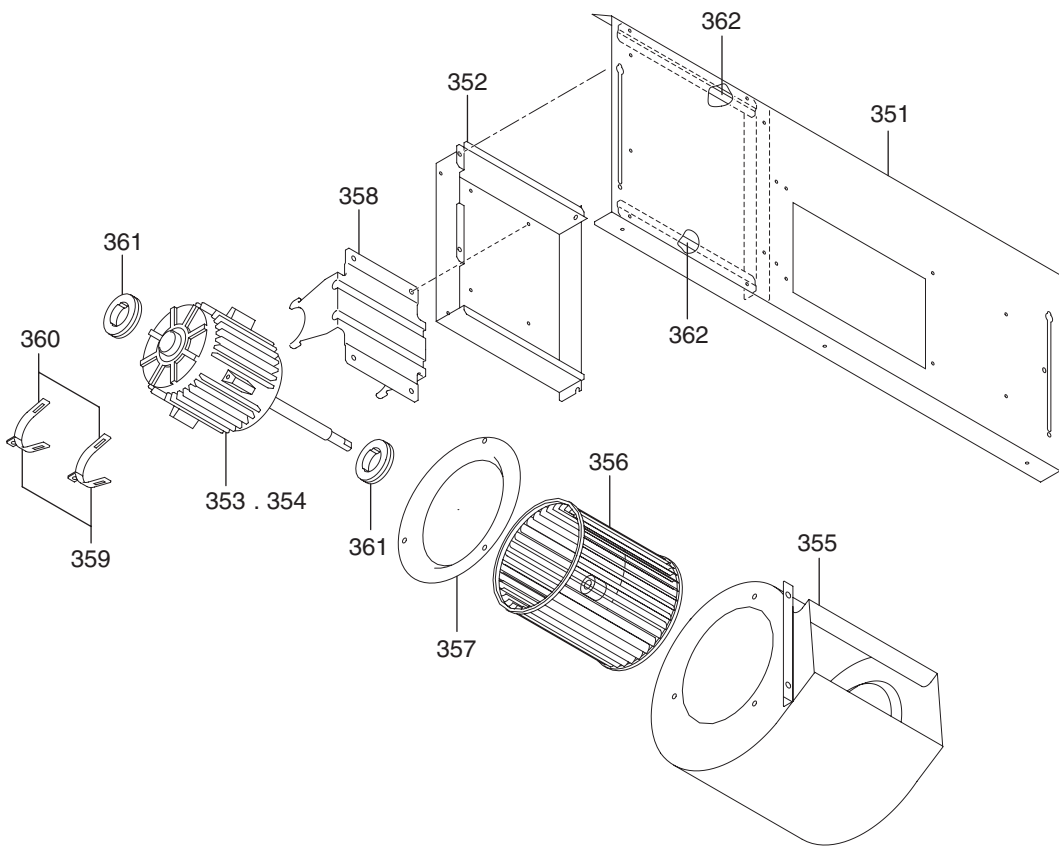
No.	Part No.	G : RoHS Apply Only W : RoHS Apply by Running Change		Spec.	PEFY-P72NMHU-E	PEFY-P96NMHU-E					Dwg. No.	Notes for the models	Revision info.
		Part Name											
251	R61 Y37 483	W	Heat exchanger assy	P72	1						W268110G54		Chg.
252	R61 Y38 483	W	Heat exchanger assy	P96		1					W268110G55		Chg.
253	R63 014 401	G	Linear expansion valve	EFM-80YGMD-5	2	2					P632464X01		Chg.
254	R63 358 203	G	Thermistor		1	1					P425458X02		
255	R63 358 202	G	Thermistor		1	1					KB78U230G01		
256	R61 Y34 529	W	Drain pan		1	1					W662621G25		
257	R63 H42 661	G	Bottom plate assy		1	1					W627491G07		
258	R61 021 661	G	Bottom plate A assy		1	1					W628696G16		
259	R63 F85 326	G	Hanging metal fittings D		1	1					W398771H03		
260	R63 F86 326	G	Hanging metal fittings D		2	2					W398771H04		
261	R63 H42 457	G	Flange assy		1	1					W630285G01		
262	R63 P53 525	G	Drain hose set		1	1					W650735G18		
263	R61 016 326	G	Hanging metal fittings		1	1					W871827G02		Chg.
264	R61 Y02 525	W	Drain hose set		1	1					W650735G20		
265	R61 E96 558	G	Rubber plug		1	1					P312040X01		

PEFY-P15NMHU-E
PEFY-P18NMHU-E
PEFY-P24NMHU-E

BLOWER PARTS (1)



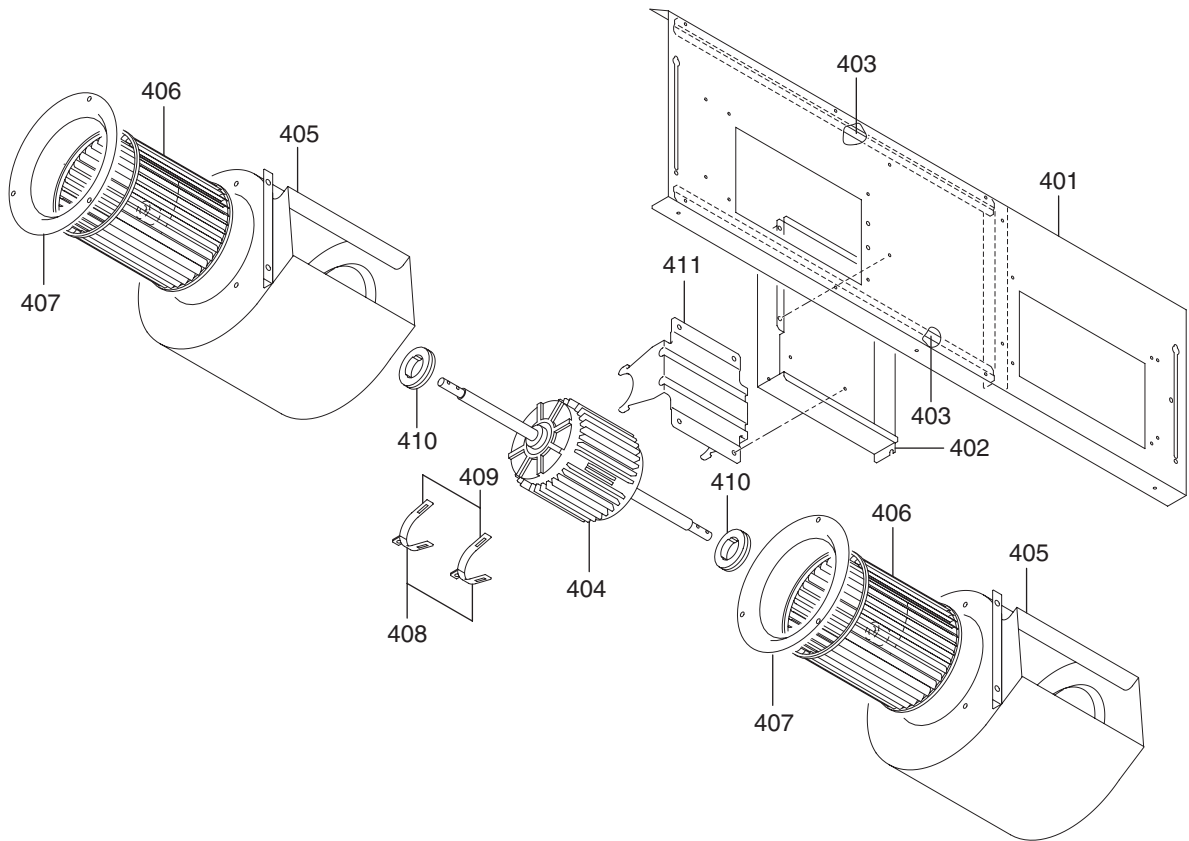
No.	Part No.	G : RoHS Apply Only W : RoHS Apply by Running Change		Spec.	PEFY-P15NMHU-E	PEFY-P18NMHU-E	PEFY-P24NMHU-E				Dwg. No.	Notes for the models	Revision info.
			Part Name										
301	R61 008 140	G	Fan base		1	1	1				W263051H04		Chg.
302	R63 Y01 133	G	Motor base		1	1	1				W881379G02		Chg.
303	R63 Y24 221	G	Motor	P63H			1				P714693X02		
304	R61 007 109	G	Fan casing		1	1	1				W122291G05		
305	R63 F85 114	G	Sirocco fan		1	1	1				W122292G03		
306	R63 F85 119	G	Bell mouth		1	1	1				W866104H01		
307	R63 772 130	G	Leg		1	1	1				R302G131H07		
308	R63 507 131	G	Fixing plate		2	2	2				R302F328H09		
309	R63 507 132	G	Fixing plate	with the nut	2	2	2				R302F328G84		
310	R63 755 104	G	Rubber bush		2	2	2				R331F676H01		
311	R63 F85 573	G	Guide		2	2	2				W866123H01		
312	R63 Y27 221	G	Motor	P40H	1	1					P714692X02		



No.	Part No.	G : RoHS Apply Only W : RoHS Apply by Running Change		Spec.	PEFY-P27NMHU-E	PEFY-P30NMHU-E					Dwg. No.	Notes for the models	Revision info.
			Part Name										
351	R61 009 140	G	Fan base		1	1					W263052H05		Chg.
352	R63 Y02 133	G	Motor base		1	1					W881380G01		
353	R63 Y25 221	G	Motor	P71H	1						P714694X02		
354	R63 Y26 221	G	Motor	P80H		1					P714695X02		
355	R61 007 109	G	Fan casing		1	1					W122291G05		
356	R63 F85 114	G	Sirocco fan		1	1					W122292G03		
357	R63 F85 119	G	Bell mouth		1	1					W866104H01		
358	R63 772 130	G	Leg		1	1					R302G131H07		
359	R63 507 131	G	Fixing plate		2	2					R302F328H09		
360	R63 507 132	G	Fixing plate	with the nut	2	2					R302F328G84		
361	R63 755 104	G	Rubber bush		2	2					R331F676H01		
362	R63 F88 573	G	Guide		2	2					W866123H02		

PEFY-P36NMHU-E
PEFY-P48NMHU-E
PEFY-P54NMHU-E

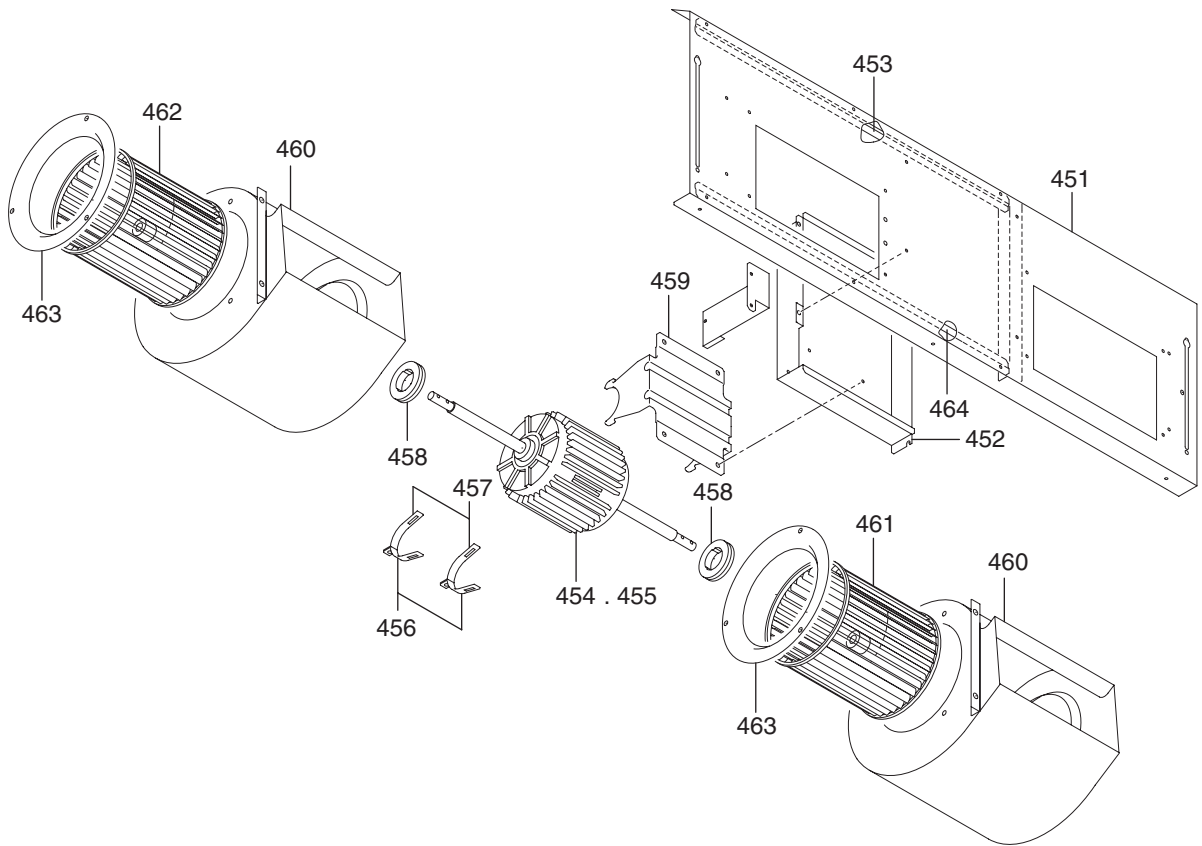
BLOWER PARTS (3)



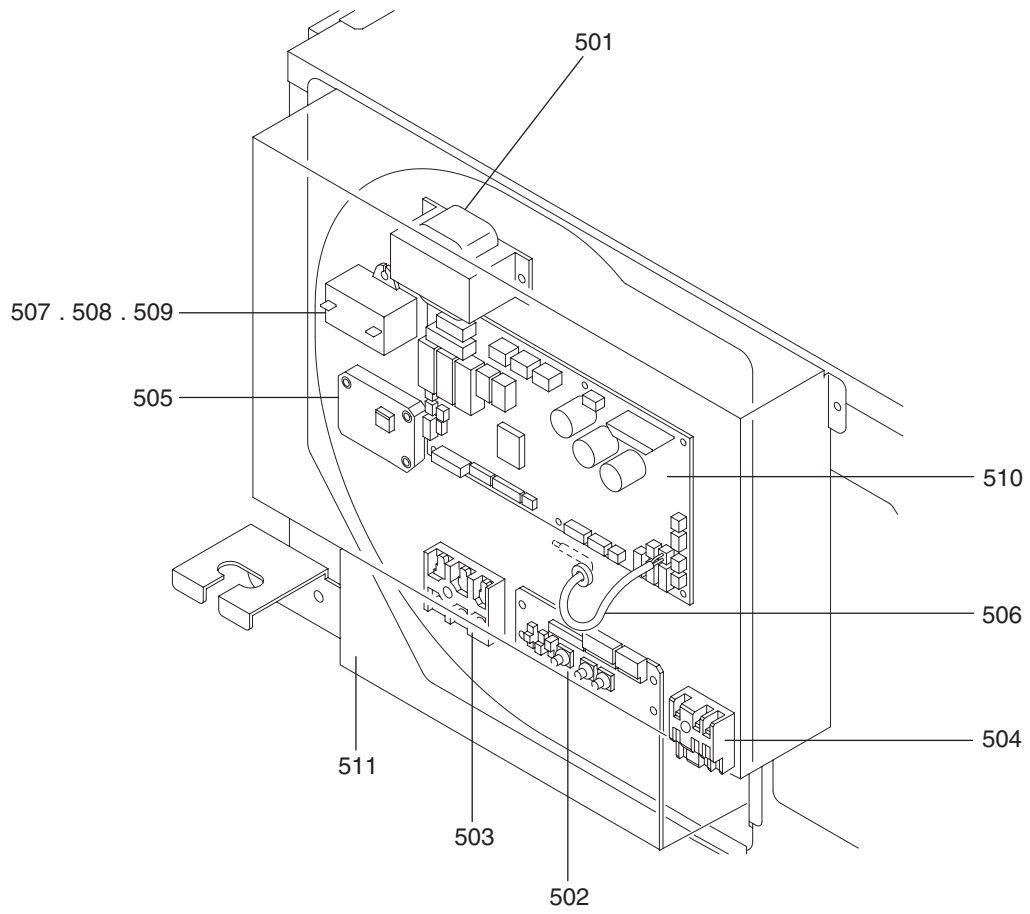
PEFY-P36NMHU-E
 PEFY-P48NMHU-E
 PEFY-P54NMHU-E

BLOWER PARTS (3)

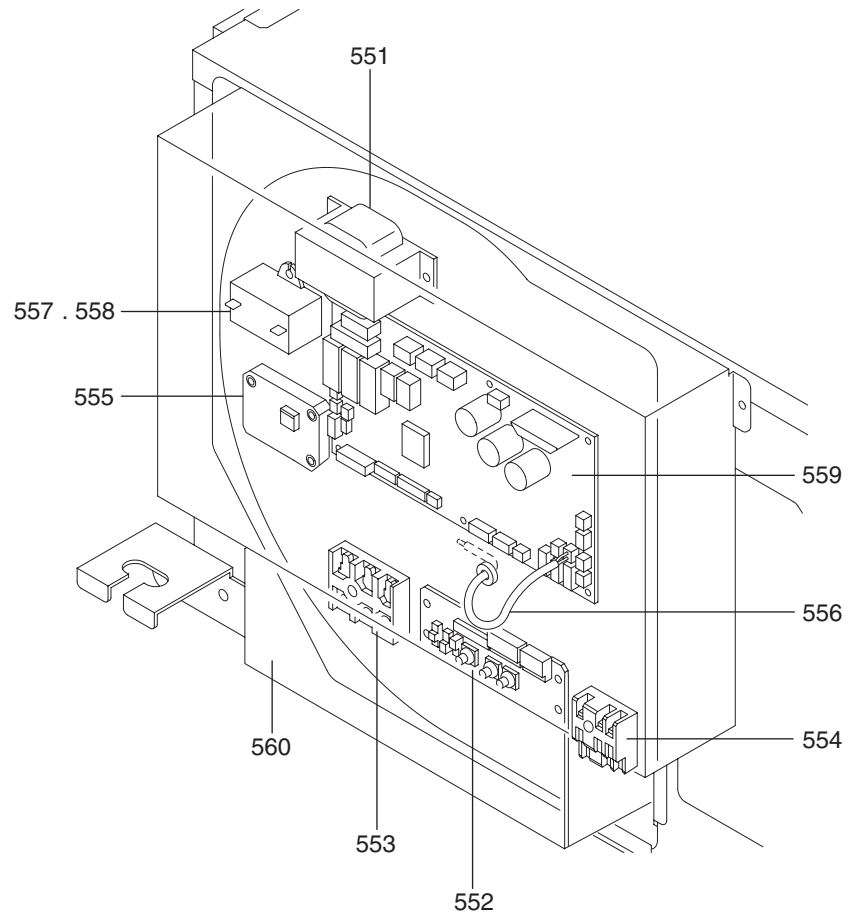
No.	Part No.	G : RoHS Apply Only W: RoHS Apply by Running Change		Spec.	PEFY-P36NMHU-E	PEFY-P48NMHU-E	PEFY-P54NMHU-E				Dwg. No.	Notes for the models	Revision info.
			Part Name										
401	R61 010 140	G	Fan base		1	1	1				W263037H05		Chg.
402	R63 Y02 133	G	Motor base		1	1	1				W881380G01		
403	R63 F90 573	G	Guide		2	2	2				W866123H03		
404	R63 Y28 221	G	Motor	P100H	1	1	1				P714696X02		
405	R61 007 109	G	Fan casing		2	2	2				W122291G05		
406	R63 F85 114	G	Sirocco fan		2	2	2				W122292G03		
407	R63 F85 119	G	Bell mouth		2	2	2				W866104H01		
408	R61 002 136	G	Fixing plate		2	2	2				R302K338H02		
409	R61 001 136	G	Fixing plate	with the nut	2	2	2				R302K338G82		
410	R63 Y01 104	G	Rubber bush		2	2	2				W860050H02		
411	R61 015 130	G	Leg		1	1	1				KP00K219G01		Chg.

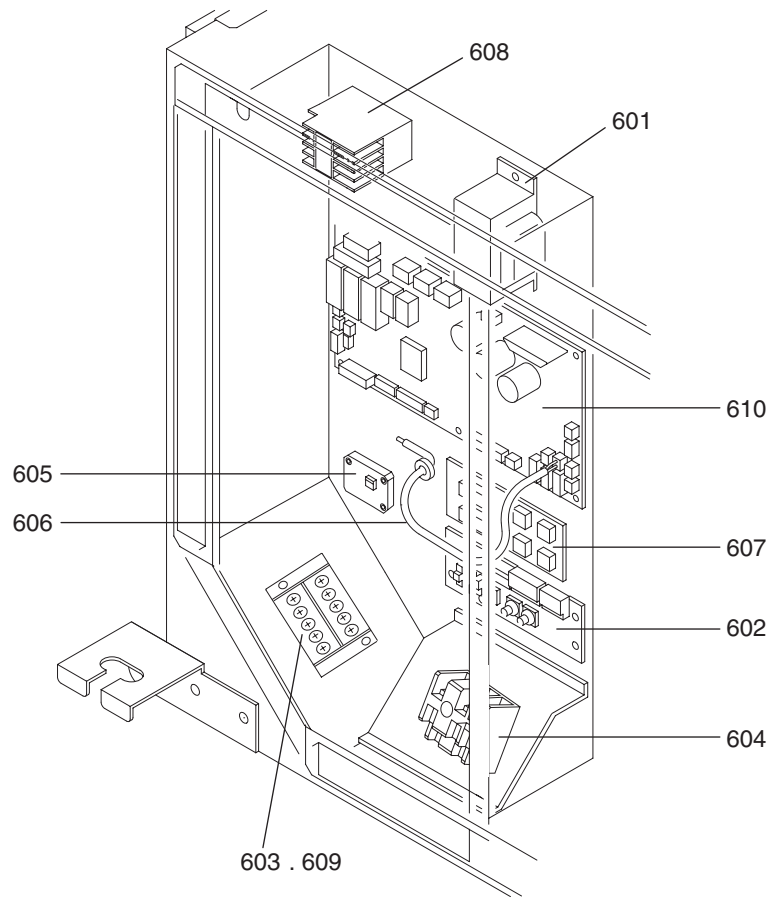


No.	Part No.	G : RoHS Apply Only W : RoHS Apply by Running Change	Part Name	Spec.	PEFY-P72NMHU-E	PEFY-P96NMHU-E						Dwg. No.	Notes for the models	Revision info.
451	R63 013 140	G	Fan base		1	1						W631853G05		Chg.
452	R63 Y03 133	G	Motor base		1	1						W881378G01		
453	R63 H42 573	G	Guide		1	1						W866123H04		
454	R61 Y46 221	W	Motor	P72NMHU-E	1							P714995X01		
455	R61 Y47 221	W	Motor	P96NMHU-E		1						P714996X01		
456	R61 002 136	G	Fixing plate		2	2						R302K338H02		
457	R61 001 136	G	Fixing plate	with the nut	2	2						R302K338G82		
458	R63 Y01 104	G	Rubber bush		2	2						W860050H02		
459	R61 015 130	G	Leg		1	1						KP00K219G01		Chg.
460	R63 H20 110	G	Fan casing		2	2						W264318G05		Chg.
461	R63 311 114	G	Sirocco fan assy		1	1						R300C723G85		
462	R63 311 115	G	Sirocco fan assy		1	1						R300C723G86		
463	R63 249 119	G	Bell mouth		2	2						R302F474H03		
464	R63 H43 573	G	Guide		1	1						W866123H05		



No.	Part No.	G : RoHS Apply Only W : RoHS Apply by Running Change		Spec.	PEFY-P15NMHU-E	PEFY-P18NMHU-E	PEFY-P24NMHU-E	PEFY-P27NMHU-E	Dwg. No.	Notes for the models	Revision info.
			Part Name								
501	R63 007 260	G	Transformer	240/23.5V-0.9A VH	1	1	1	1	P715414X01		
502	R63 Y37 281	G	Board assy	AD	1	1	1	1	W849036G09		
503	R63 Y08 715	G	Terminal block		1	1	1	1	P436239X01	<TB2>	
504	R63 336 246	G	Terminal block		1	1	1	1	P436114X03	<TB5,15>	
505	R63 Y22 280	G	Board assy	FP-DSA	1	1	1	1	W849072G13		
506	R63 373 202	G	Thermistor		1	1	1	1	P418059X01		
507	R61 Y32 252	W	Capacitor	440AC 3 μ F	1	1			P412303X01		
508	R61 Y36 252	W	Capacitor	440AC 4 μ F			1		P412304X01		
509	R61 Y30 252	W	Capacitor	440AC 5 μ F				1	P412305X01		
510	R61 181 280	G	Board assy	RY	1	1	1	1	KE00D204G40		
511	R61 023 077	G	Terminal block cover		1	1	1	1	W634791H06		Add





No.	Part No.	G : RoHS Apply Only W : RoHS Apply by Running Change		Spec.	PEFY-P72NMHU-E	PEFY-P96NMHU-E					Dwg. No.	Notes for the models	Revision info.
			Part Name										
601	R63 007 260	G	Transformer	240/23.5V-0.9A VH	1	1					P715414X01		
602	R63 Y37 281	G	Board assy	AD	1	1					W849036G09		
603	R63 Y05 246	G	Terminal block		1	1					P436151X01		
604	R63 336 246	G	Terminal block		1	1					P436114X03		
605	R63 Y22 280	G	Board assy	FP-DSA	1	1					W849072G13		
606	R63 373 202	G	Thermistor		1	1					P418059X01		
607	R61 Y27 321	G	LEV adaptor board assy		1	1					W601714G05		
608	R61 Y43 225	W	Solenoid switch		1	1					S427026H73		
609	R61 Y02 122	W	Screw	M5	5	5					P521017X01		
610	R61 181 280	G	Board assy	RY	1	1					KE00D204G40		

mitsubishi electric corporation
HEAD OFFICE: TOKYO BLDG., 2-7-3, MARUNOUCHI, CHIYODA-KU, TOKYO 100-8310, JAPAN

BWE0520D (20130930)