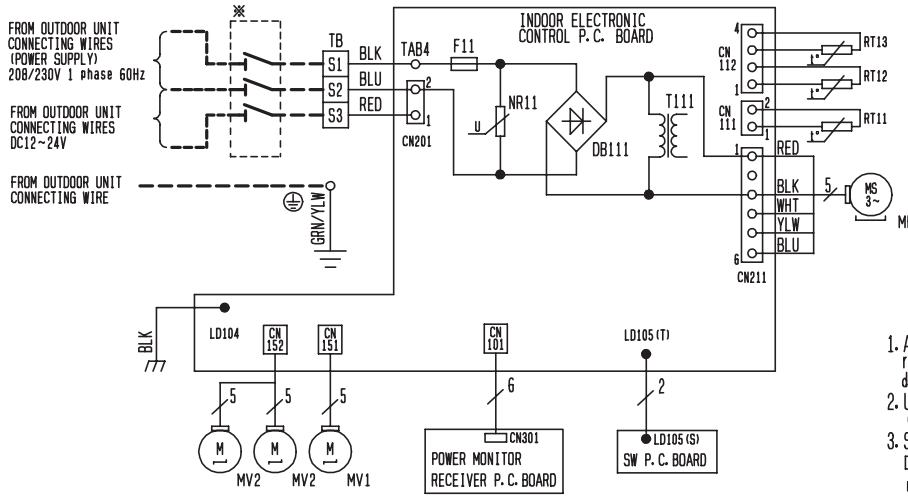


5

WIRING DIAGRAM

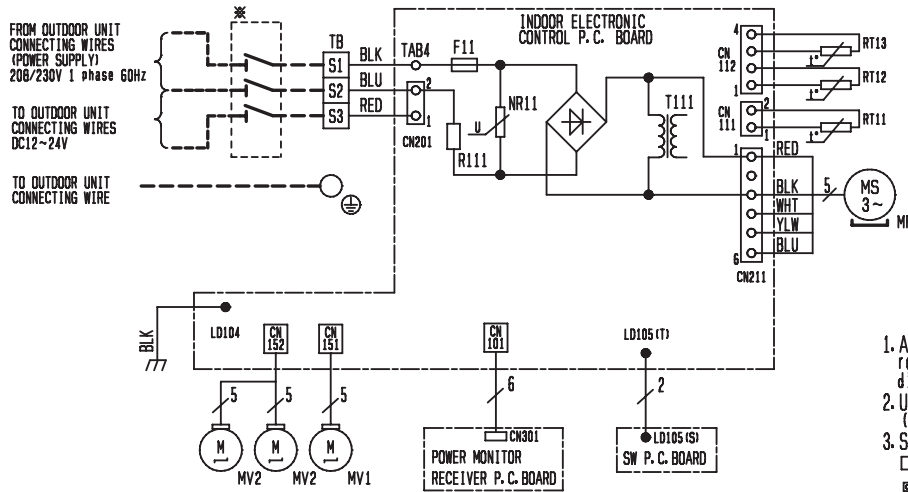
MSZ-D30NA MSZ-D36NA MSY-D30NA MSY-D36NA



※ A disconnect should be required by local code.

1. About the outdoor side electric wiring refer to the outdoor unit electric wiring diagram for servicing.
2. Use copper conductors only. (For field wiring)
3. Symbols below indicate.
 : Terminal block
 : Connector

MSZ-D30NA-8 MSZ-D36NA-8 MSY-D30NA-8 MSY-D36NA-8



※ A disconnect should be required by local code.

1. About the outdoor side electric wiring refer to the outdoor unit electric wiring diagram for servicing.
2. Use copper conductors only. (For field wiring)
3. Symbols below indicate.
 : Terminal block
 : Connector