

OPTIONAL ELECTRIC HEAT KIT FOR MULTI-POSITION AIR HANDLER
 USE WITH: PVFY-P12, 18, 24, 30, 36, 48, 54NAMU - MVZ-A12, 18, 24, 30, 36 - PVA-A36, 42AA4



Job Name: _____

Schedule Reference: _____

Selected Electrical Heater(s): _____

GENERAL FEATURES

- 208/230 Volt Electric Heat Kits
- Mounts directly to the outlet connection of the Multi-position Air Handler

ACCESSORIES

- ETC-211000-MIT.....Auxiliary Heat Lockout for PVA and MVZ models
This option prevents the electric heat kit from operating above a set outside temperature. (Details included)
- 1309007-044.....Replacement Temp Probe for ETC-211000-MIT

CAUTION

- Do not power the electric heat kit from the outdoor unit.
- A separate power supply must be provided.
- Air handler must be set on non-combustible floor when using electric heat in the downflow configuration
- Maximum external static pressure of 0.60 in WG for all installations with Electric Heaters.

AVAILABLE COMBINATIONS (Note: only use approved combination for each model.)

ELECTRIC HEAT KIT		Model No.							
		EH03-MPA-S	EH05-MPA-S	EH08-MPA-S	EH08-MPA-M	EH10-MPA-M	EH10-MPA-L	EH15-MPAS-L	EH17-MPAS-L
KW / STAGES (1ST, 2ND)		3	5	4+4	4+4	5+5	5+5	7.5+7.5	8.75+8.75
Air Handler Model	PVFY-P12NAMU	o	o						
	PVFY-P18NAMU	o	o	o					
	PVFY-P24NAMU	o	o	o					
	PVFY-P30NAMU				o	o			
	PVFY-P36NAMU				o	o			
	PVFY-P48NAMU						o	o	o
	PVFY-P54NAMU						o	o	o
	MVZ-A12AA4	o	o						
	MVZ-A18AA4	o	o	o					
	MVZ-A24AA4	o	o	o					
	MVZ-A30AA4				o	o			
	MVZ-A36AA4				o	o			
	PVA-A36AA4						o	o	
PVA-A42AA4						o	o	o	

ELECTRICAL SPECIFICATIONS

ELECTRIC HEATER MODEL NUMBER		HEATER AMPS ¹	MCA ¹	MOP ¹	HTR & MTR AMPS ²	MCA ²	MOP ²	FACTORY INSTALLED CIRCUIT BREAKER
		208V/240V	208V/240V	208V/240V	208V/240V	208V/240V	208V/240V	
EH03-MPA-S		10.8/12.5	13.5/15.6	15/20	13.2/14.9	16.5/18.6	20/20	20
EH05-MPA-S		18.1/20.8	22.6/26	25/30	20.5/23.2	25.6/29	30/30	30
EH08-MPA-S		28.9/33.3	36.1/41.7	40/45	31.3/35.7	39.1/44.7	40/45	45
EH08-MPA-M		28.9/33.3	36.1/41.7	40/45	32.2/36.6	40.2/45.8	45/50	50
EH10-MPA-M		36.1/41.7	45.1/52.1	50/60	39.4/45	49.3/56.2	50/60	60
EH10-MPA-L		36.1/41.7	45.1/52.1	50/60	40.6/46.2	50.8/57.7	60/60	60
EH15-MPAS-L	Circuit 1	27.1/31.2	33.9/39.1	35/40	31.6/35.8	39.5/44.7	40/45	45
	Circuit 2	27.1/31.2	33.9/39.1	35/40	27.1/31.2	33.9/39.1	35/40	40
EH17-MPAS-L	Circuit 1	31.6/36.5	39.5/45.6	40/50	36.1/41	45.1/51.2	45/60	60
	Circuit 2	31.6/36.5	39.5/45.6	40/50	31.6/36.5	39.5/45.6	40/50	50

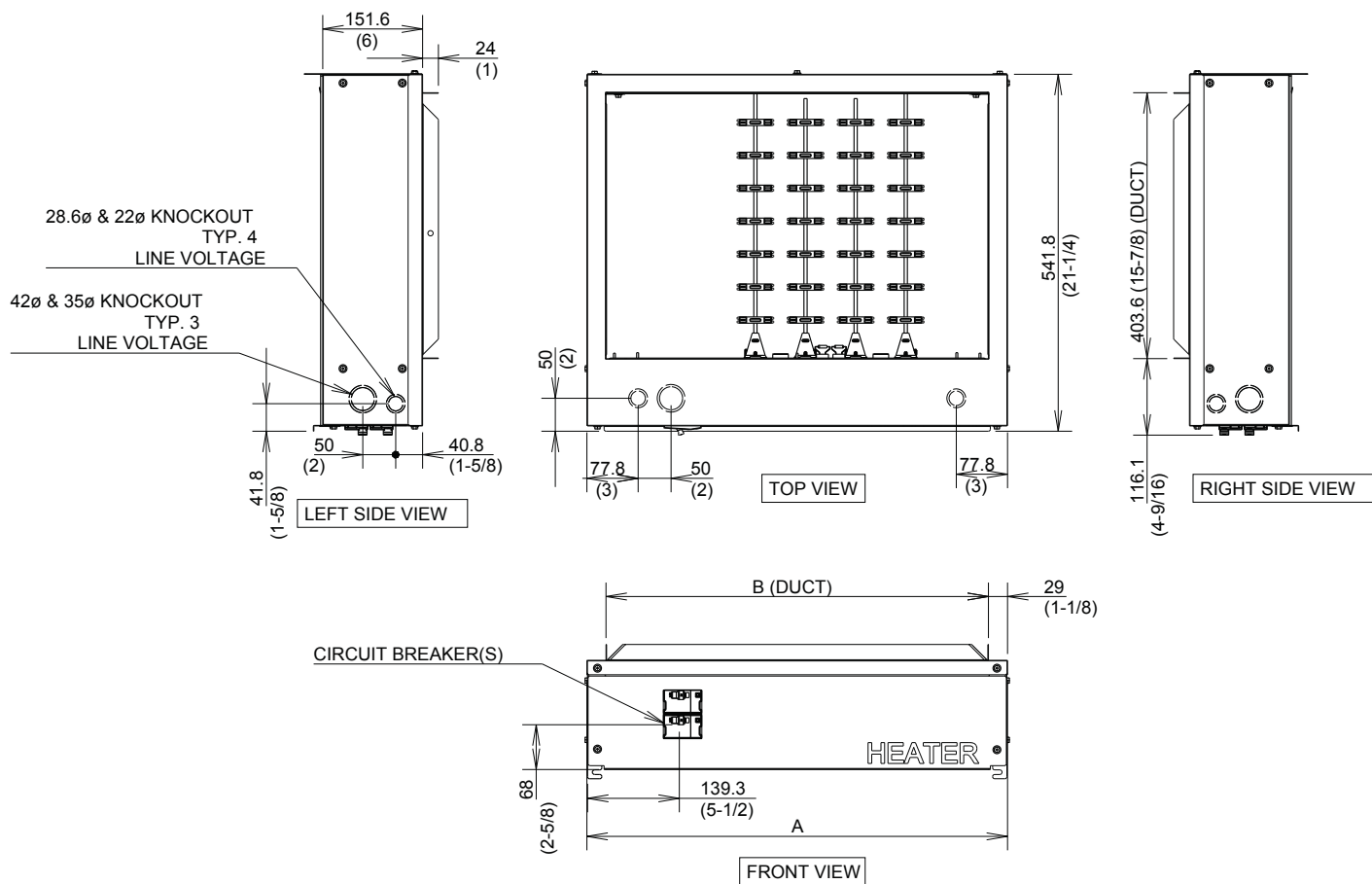
1. Heater amps; no motor.
2. Heater and motor amps (connect air handler power supply to largest circuit breaker)

Notes:

Specifications are subject to change without notice.



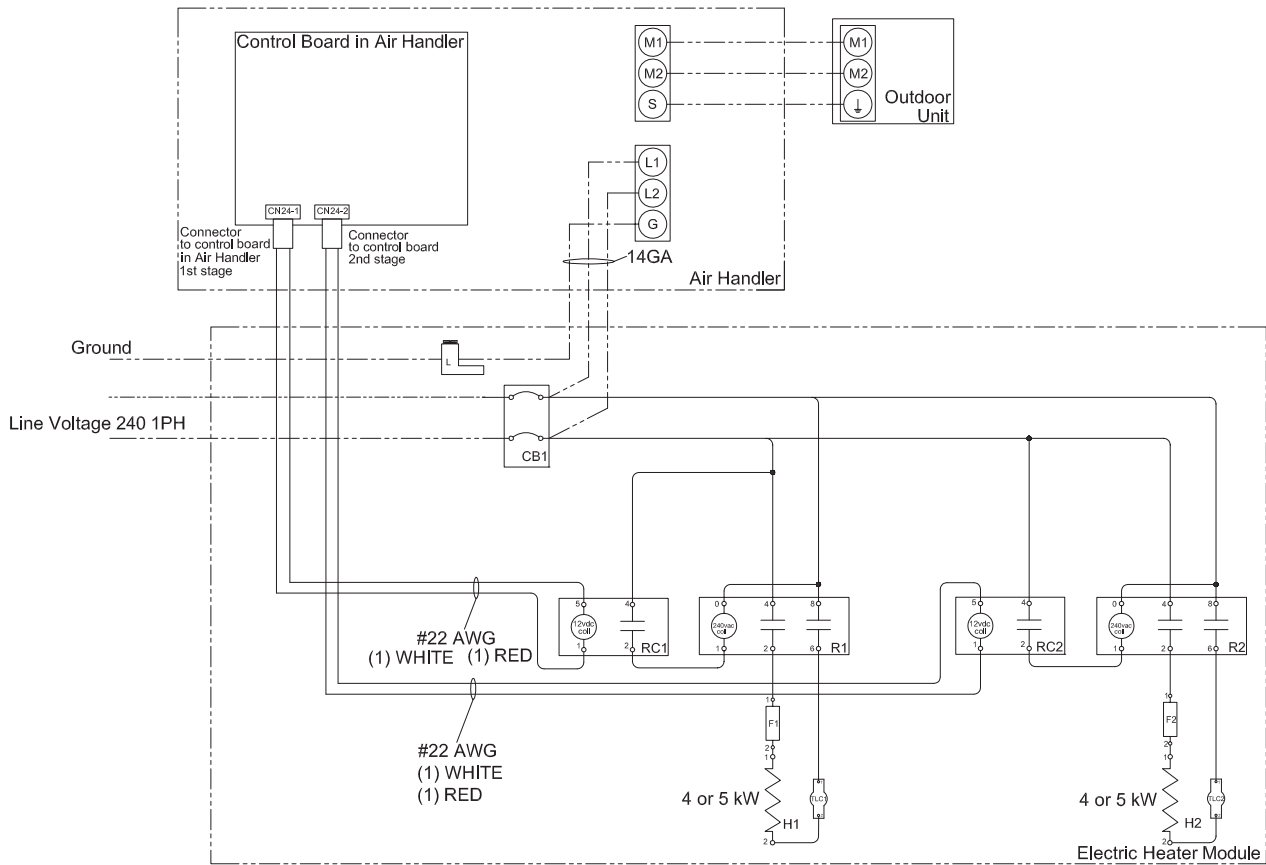
DIMENSIONS: ELECTRIC HEAT KIT



MODEL	A	B
EH03-MPA-S	433	376
EH05-MPA-S	(17)	(14-13/16)
EH08-MPA-S		
EH08-MPA-M	534	477
EH10-MPA-M	(21)	(18-13/16)
EH10-MPA-L		
EH15-MPAS-L	635	579
EH17-MPAS-L	(25)	(22-13/16)

PV FY-P-NAMU - Two Stage Electrical Wiring Example

Note: Two stage wiring diagram shown as reference purposes.
Reference electrical heater installation manual for full details.



8 & 10 kW Components	
Device	Description
CB1	2-pole circuit breaker (Amperage based on kW of heater)
R1, R2	Relay 240VAC coil (AZ2800-2A-240A)
RC1, RC2	Relay 12VDC coil (Control - AZ2280-1A-12DF)
F1, F2	Fuse Limit (non-resettable)
TLC1, TLC2	Thermal Limit Cutoff
H1, H2	Heater (4 or 5 kW)
CN24-1	JST connector YELLOW (p/n XAP-02V-1-Y)
CN24-2	JST connector BLUE (p/n XAP-02V-1-E)
L	Grounding Lug

City Multi (PVFY)

Electric Heat Models:

EH08-MPA-S, EH08-MPA-M, EH10-MPA-M, EH10-MPA-L
2 stage; 8 or 10kW

Notes:

Use copper or aluminum conductors only

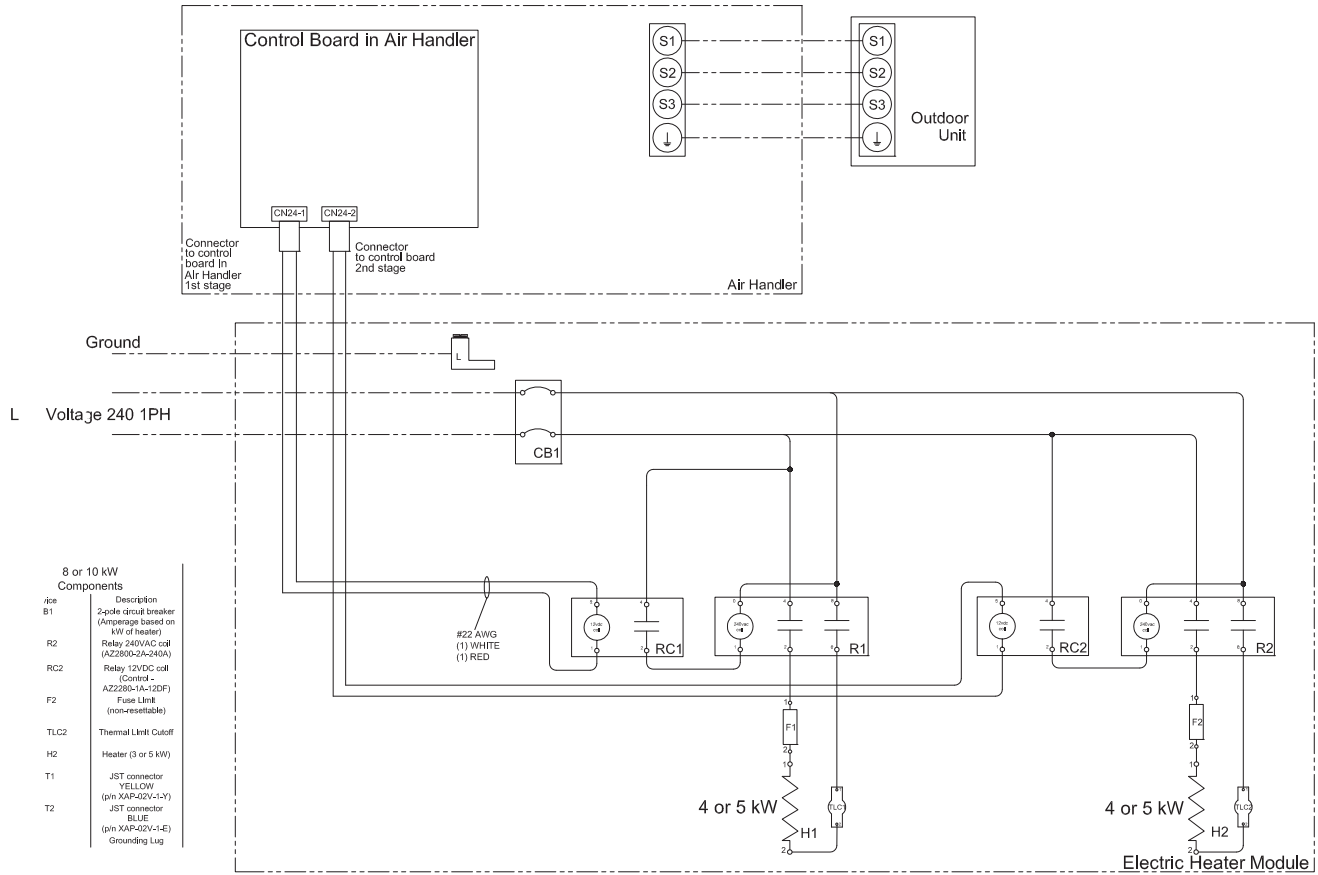
UTILISER DES FILS D'ALIMENTATION EN CUIVRE/ALUMINUM

----- Field Supplied Wiring

Electric Heater Module installed directly on top of air handler

PVA / MVZ - Two Stage Electrical Wiring Exmple

Note: Two stage wiring diagram shown as reference purposes.
Reference electrical heater installation manual for full details.



8 or 10 kW Components

B1	2-pole circuit breaker (Amperage based on kW of heater)
R2	Relay 240VAC coil (AZ2800-2A-240A)
RC2	Relay 12VDC coil (Control - AZ2280-1A-12DF)
F2	Fuse Limit (non-resettable)
TLC2	Thermal Limit Cutoff
H2	Heater (3 or 5 kW)
T1	JST connector YELLOW (pin XAP-02V-1-Y)
T2	JST connector BLUE (pin XAP-02V-1-E)
	Grounding Lug

rs only
/on termin
ght-angle n
Field I
ile installer

8 or 10 kW Components	
Device	Description
CB1	2-pole circuit breaker (Amperage based on kW of heater)
R1, R2	Relay 240VAC coil (AZ2800-2A-240A)
RC1, RC2	Relay 12VDC coil (Control - AZ2280-1A-12DF)
F1, F2	Fuse Limit (non-resettable)
TLC1, TLC2	Thermal Limit Cutoff
H1, H2	Heater (3 or 5 kW)
CN24-1	JST connector YELLOW (p/n XAP-02V-1-Y)
CN24-2	JST connector BLUE (p/n XAP-02V-1-E)
L	Grounding Lug

PVA/MVZ Multi Position

Electric Heat Models:

EH08-MPA-S, EH08-MPA-M, EH10-MPA-M, EH10-MPA-L
2 stage; 8 or 10kW

Notes:

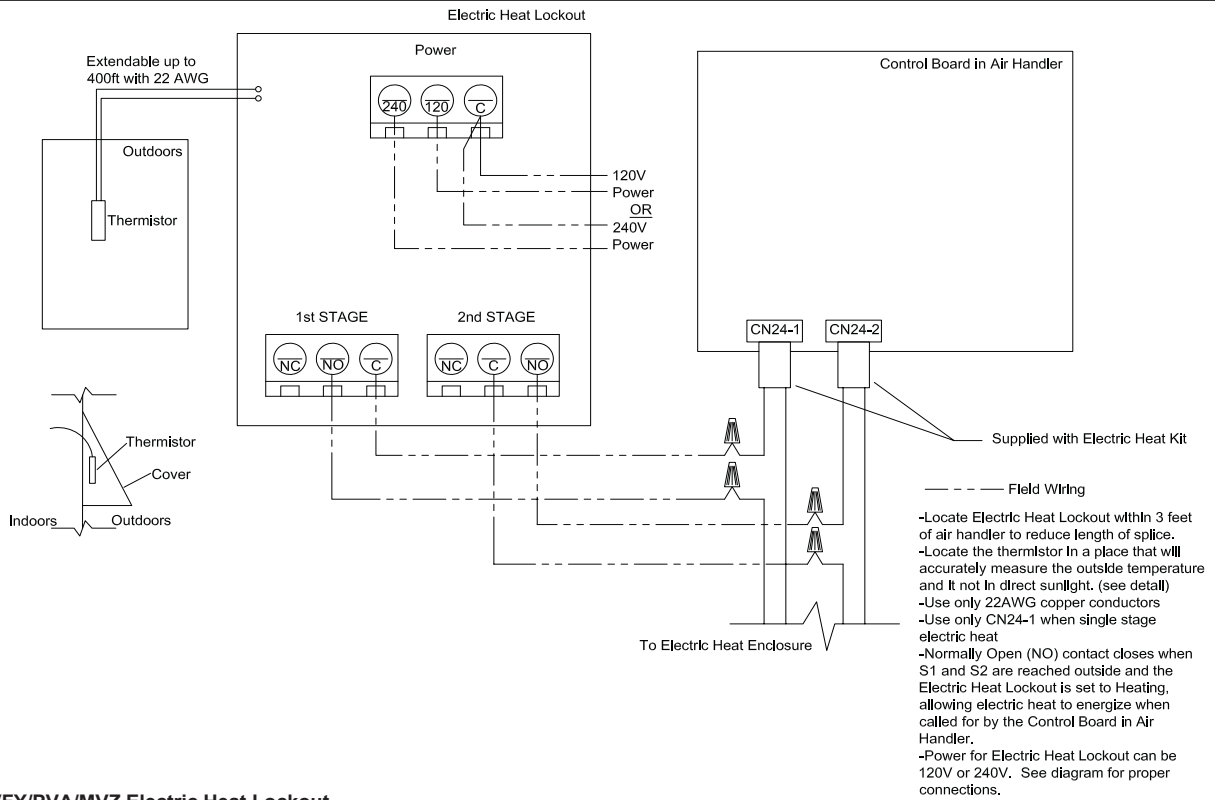
Use copper or aluminum conductors only

UTILISER DES FILS D'ALIMENTATION EN CUIVRE/ALUMINUM

----- Field Supplied Wiring

Electric Heater Module installed directly on of top of air handler

Model : ETC-21100-MTD - Wiring Diagram – Dimensions



PVFX/PVA/MVZ Electric Heat Lockout

Dimensional Drawing

