

SUBMITTAL



See Attached Page for Units

Part Number:

AP537-102-00010

FORM NO. 2394-2D

4/29/2015

Submitted To:
Company:
Job Name:
Notes:

Adjustable Pitch Knockdown Curbs

NOTES:

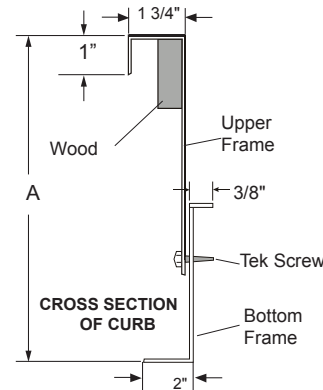
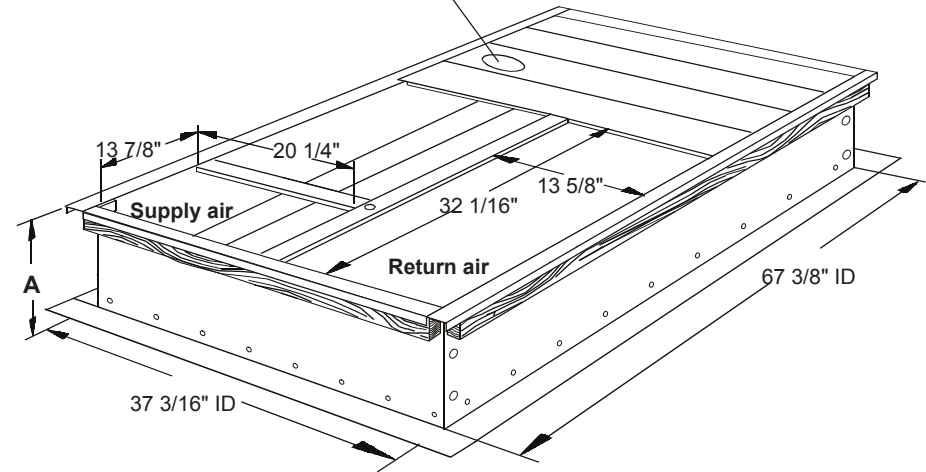
- DO NOT Use A Hard Duct Concentric Package With This Curb.
- * Custom Heights Are Available.
- * Fully Insulated Perimeter Curbs Are Available And Designated With A "CI" Suffix.
- * Hold Down Brackets Are Available For Most Curbs.
- Attach Ductwork Directly To Roof Curb. Flanges of Duct Rest On Top Of Curb.
- Ductwork Should be 3/4 Inch Smaller Than Duct Openings.
- Any Posted Weight Is Actual Weight, Not Shipping Weight
- All Dividers & Supports If Present, Are Flush With Top Of Curb Unless Noted.

** Please Contact Factory For Pricing and Availability*

FEATURES

- Ships Knockdown, Assembly Hardware Provided When Needed.
- Adjust Up To 1" in 12" Pitch In Either Direction.
- Doubles As An Adjustable Height Curb (Without Pitch)
- Deck pans When Factory Provided are Factory insulated.
- Constructed Of Galvanized Steel.
- Gasketing Package Provided.
- Full Perimeter Wood Nailer Provided.

Opening for thru the bottom electrical connections



| MicroMetl Part No. | A | Weight |
|--------------------|-----|----------|
| AP537-008-00010 | 8" | 101 Lbs. |
| AP537-102-00010 | 14" | |
| AP537-018-00010 | 18" | |
| AP537-024-00010 | 24" | |

CJ-2D

THIS DOCUMENT IS THE PROPERTY OF MICROMETL CORPORATION AND IS DELIVERED UPON THE EXPRESS CONDITION THAT THE CONTENTS WILL NOT BE DISCLOSED OR USED WITHOUT MIROMETL'S WRITTEN CONSENT

MicroMetl Corporation... Indianapolis Indiana – 1-800-662-4822, Sparks Nevada – 1-800-884-4662, Longview Texas – 1-903-248-4800

Carrier Units For Accessory

| | | | |
|----------------------------------|----------------------------------|-----------------------------------|----------------------------------|
| 48DJ 004 | 48LJ 007 | 50HE 003 | 50QJ 005 |
| 48DJ 005 | 48TC A04 | 50HE 004 | 50QJ 006 |
| 48DJ 006 | 48TC A05 | 50HE 005 | 50TC A04 |
| 48DJ 007 | 48TC A06 | 50HE 006 | 50TC A05 |
| 48GJ 006 | 48TC A07 | 50HEQ 003 | 50TC A06 |
| 48GJD 006 | 48TC B04 | 50HEQ 004 | 50TC A07 |
| 48GJE 006 | 48TC B05 | 50HEQ 005 | 50TC B04 |
| 48GJF 006 | 48TC B06 | 50HEQ 006 | 50TC B05 |
| 48HC A04 | 48TC B07 | 50HJ 004 - Year 2000 and Earlier | 50TC B06 |
| 48HC A04 EnergyX | 48TF 004 | 50HJ 004 - Year 2000 and Later | 50TC B07 |
| 48HC A05 | 48TF 005 | 50HJ 005 - Year 2000 and Earlier | 50TCQ A04 |
| 48HC A05 EnergyX | 48TF 006 | 50HJ 005 - Year 2000 and Later | 50TCQ A05 |
| 48HC A06 | 48TF 007 | 50HJ 006 - Year 2000 and Earlier | 50TCQ A06 |
| 48HC A06 EnergyX | 48TJ 004 - Year 2000 and Earlier | 50HJ 006 - Year 2000 and Later | 50TCQ A07 |
| 48HC B04 | 48TJ 004 - Year 2000 and Later | 50HJ 007 - Year 2000 and Earlier | 50TFF 004 |
| 48HC B04 EnergyX | 48TJ 005 - Year 2000 and Earlier | 50HJ 007 - Year 2000 and Later | 50TFF 005 |
| 48HC B05 | 48TJ 005 - Year 2000 and Later | 50HJQ 004 - Year 2000 and Earlier | 50TFF 006 |
| 48HC B05 EnergyX | 48TJ 006 - Year 2000 and Earlier | 50HJQ 004 - Year 2000 and Later | 50TFF 007 |
| 48HC B06 | 48TJ 006 - Year 2000 and Later | 50HJQ 005 - Year 2000 and Earlier | 50TFQ 004 |
| 48HC B06 EnergyX | 48TJ 007 - Year 2000 and Earlier | 50HJQ 005 - Year 2000 and Later | 50TFQ 005 |
| 48HE 003 | 48TJ 007 - Year 2000 and Later | 50HJQ 006 - Year 2000 and Earlier | 50TFQ 006 |
| 48HE 004 | 48TM 004 | 50HJQ 006 - Year 2000 and Later | 50TFQ 007 |
| 48HE 005 | 48TM 005 | 50HJQ 007 - Year 2000 and Earlier | 50TJ 004 - Year 2000 and Earlier |
| 48HE 006 | 48TM 006 | 50HJQ 007 - Year 2000 and Later | 50TJ 004 - Year 2000 and Later |
| 48HJ 004 - Year 2000 and Earlier | 48TM 007 | 50HM 007 | 50TJ 005 - Year 2000 and Earlier |
| 48HJ 004 - Year 2000 and Later | 50DJ 004 | 50KC A04 | 50TJ 005 - Year 2000 and Later |
| 48HJ 005 - Year 2000 and Earlier | 50DJ 005 | 50KC A05 | 50TJ 006 - Year 2000 and Earlier |
| 48HJ 005 - Year 2000 and Later | 50DJ 006 | 50KC A06 | 50TJ 006 - Year 2000 and Later |
| 48HJ 006 - Year 2000 and Earlier | 50DJ 007 | 50KC B04 | 50TJ 007 - Year 2000 and Earlier |
| 48HJ 006 - Year 2000 and Later | 50GJ 006 | 50KC B05 | 50TJ 007 - Year 2000 and Later |
| 48HJ 007 - Year 2000 and Earlier | 50HC A04 | 50KC B06 | 50TJQ 004 |
| 48HJ 007 - Year 2000 and Later | 50HC A04 EnergyX | 50KCQ A04 | 50TJQ 005 |
| 48HM 007 | 50HC A05 | 50KCQ A05 | 50TJQ 006 |
| 48KC A04 | 50HC A05 EnergyX | 50KCQ A06 | 50TJQ 007 |
| 48KC A05 | 50HC A06 | 50LC A04 | 50TM 004 |
| 48KC A06 | 50HC A06 EnergyX | 50LC A05 | 50TM 005 |
| 48KC B04 | 50HC B04 | 50LC A06 | 50TM 006 |
| 48KC B05 | 50HC B04 EnergyX | 50LJ 004 | 50TM 007 |
| 48KC B06 | 50HC B05 | 50LJ 005 | 581B 036 - Year 2000 and Earlier |
| 48LC A04 | 50HC B05 EnergyX | 50LJ 006 | 581B 048 - Year 2000 and Earlier |
| 48LC A05 | 50HC B06 | 50LJ 007 | 581B 060 - Year 2000 and Earlier |
| 48LC A06 | 50HC B06 EnergyX | 50LJQ 004 | 581B 072 - Year 2000 and Earlier |
| 48LJ 004 | 50HCQ A04 | 50LJQ 005 | |
| 48LJ 005 | 50HCQ A05 | 50LJQ 006 | |

| | | | |
|----------|-----------|----------|--|
| 48LJ 006 | 50HCQ A06 | 50QJ 004 | |
|----------|-----------|----------|--|

Bryant Units For Accessory

| | | | |
|----------------------------------|----------------------------------|----------|--------------------------------|
| 548C 036 | 549C 060 | 558D 072 | 580F 073 |
| 548C 048 | 549J 04A | 558F 036 | 580J 04A |
| 548C 060 | 549J 05A | 558F 042 | 580J 04G |
| 548D 036 | 549J 06A | 558F 048 | 580J 05A |
| 548D 048 | 551B 036 - Year 2000 and Earlier | 558F 060 | 580J 05G |
| 548D 060 | 551B 036 - Year 2000 and Later | 558F 072 | 580J 06A |
| 548D 072 | 551B 048 - Year 2000 and Earlier | 558F 073 | 580J 06G |
| 548F 036 | 551B 048 - Year 2000 and Later | 558J 04A | 580J 07A |
| 548F 042 | 551B 060 - Year 2000 and Earlier | 558J 04G | 580J 07G |
| 548F 048 | 551B 060 - Year 2000 and Later | 558J 05A | 581A 036 |
| 548F 060 | 551B 072 - Year 2000 and Earlier | 558J 05G | 581A 048 |
| 548F 072 | 551B 072 - Year 2000 and Later | 558J 06A | 581A 060 |
| 548J 04A | 551C 024 | 558J 06G | 581A 072 |
| 548J 05A | 551C 036 | 558J 07A | 581B 036 - Year 2000 and Later |
| 548J 06A | 551C 048 | 558J 07G | 581B 048 - Year 2000 and Later |
| 548J 07A | 551C 060 | 580C 036 | 581B 060 - Year 2000 and Later |
| 549B 036 - Year 2000 and Earlier | 551J 04A | 580C 048 | 581B 072 - Year 2000 and Later |
| 549B 036 - Year 2000 and Later | 551J 05A | 580C 060 | 581C 024 |
| 549B 048 - Year 2000 and Earlier | 551J 06A | 580C 072 | 581C 036 |
| 549B 048 - Year 2000 and Later | 558C 036 | 580D 036 | 581C 048 |
| 549B 060 - Year 2000 and Earlier | 558C 048 | 580D 048 | 581C 060 |
| 549B 060 - Year 2000 and Later | 558C 060 | 580D 060 | 581J 04A |
| 549B 072 - Year 2000 and Earlier | 558C 072 | 580D 072 | 581J 05A |
| 549B 072 - Year 2000 and Later | 558D 036 | 580F 036 | 581J 06A |
| 549C 024 | 558D 042 | 580F 048 | |
| 549C 036 | 558D 048 | 580F 060 | |
| 549C 048 | 558D 060 | 580F 072 | |

ICP Units For Accessory

| | | | |
|---------|---------|---------|---------|
| RAH 036 | RAS 072 | RGS 060 | RHS 048 |
| RAH 048 | RGH 036 | RGS 072 | RHS 060 |
| RAH 060 | RGH 048 | RHH 036 | RHS 072 |
| RAS 036 | RGH 060 | RHH 048 | |
| RAS 048 | RGS 036 | RHH 060 | |
| RAS 060 | RGS 048 | RHS 036 | |