



# SUBMITTAL MicroMetl

WEIGHT:  
140 lbs

DATE:  
4/10

Part Number:  
**0821-2527-DT**

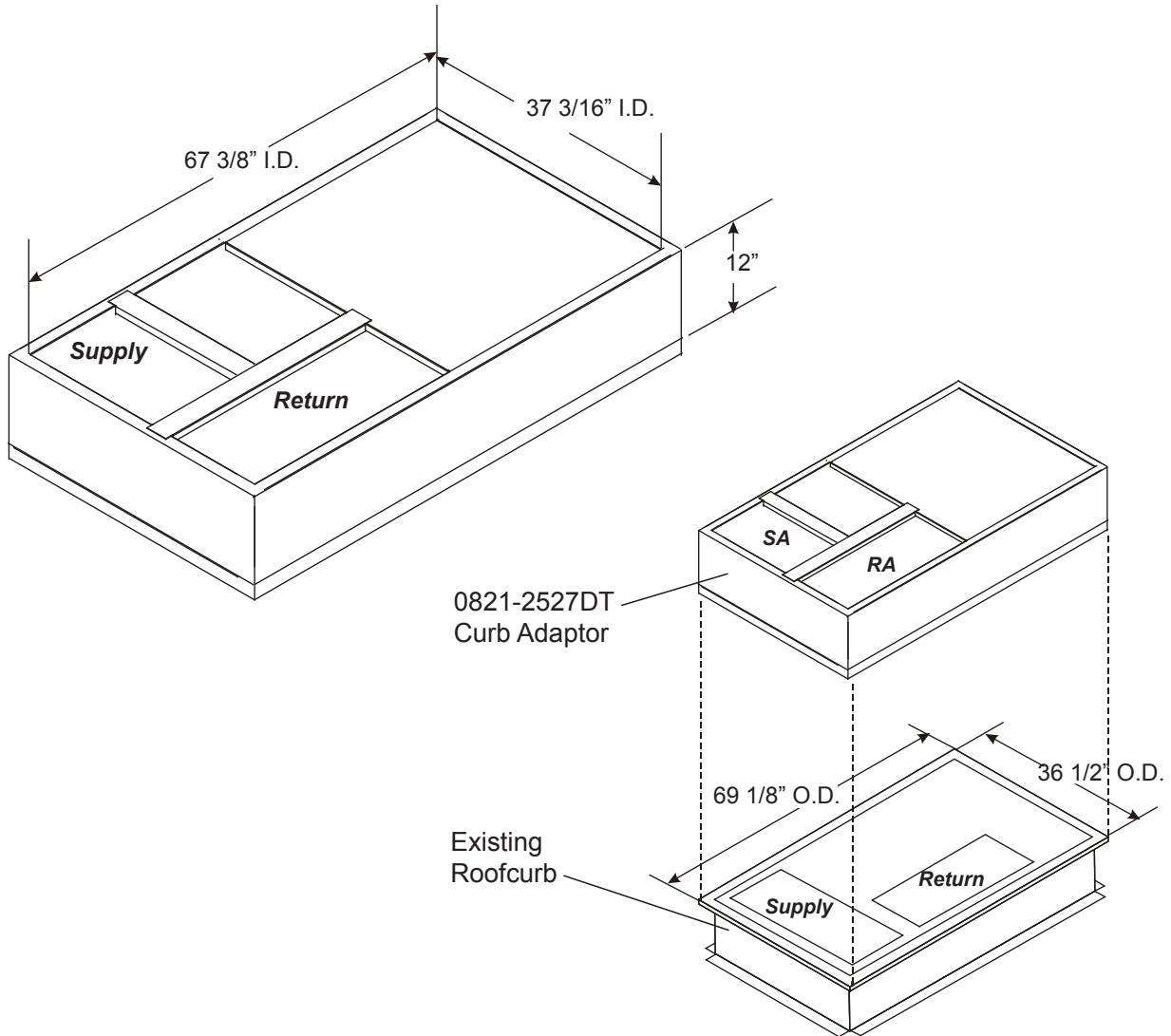
SUBMITTED TO: \_\_\_\_\_ JOB NAME: \_\_\_\_\_  
COMPANY: \_\_\_\_\_ EQUIPMENT: \_\_\_\_\_  
DRAWN BY: \_\_\_\_\_ NOTES: \_\_\_\_\_

## NEW CARRIER UNITS (CAR-537)

48TF 004-007; 48/50GJ 006; 48GJD,GJE,GJF 006; 48/50HC A04-A06; 48/50DJ,HJ,LJ,TJ,TM 004-007; 48/50HE 003-006; 48/50HM 007;  
48/50TC A04-A07,B04-B07; 50HJQ,LJQ,TCQ,TFF,TFQ,TJQ 004-007; 50HEQ 003-006; 50QJ 004-006; 50HCQ A04-A06; 50TCQ A04-A07

## EXISTING UNITS (CAR-532)

**CARRIER:** 48HD 007; 48HDT 005-006; 48LDT 004-006  
**BRYANT:** 579D 036-078



### Features:

- Fully assembled curb adaptor.
- Includes internal duct transitions.
- Internally insulated with 1" - 1.5" lb insulation. Gasketing package provided.
- Adaptor pans and supports provided / field installed

### Curb Adaptor Information

- To verify that the curb adaptor shown on this page is the correct adaptor for you job be sure the existing curb is the same size as the dimensions provided. (The bottom dimensions of curb adaptor are larger than existing curb outside dimension.)
- Before new HVAC unit is set in place, inspect structural stability of existing curb and building's roof load capability. Reinforce if required.
- All curb adaptors will increase the systems external static pressure and must be included when calculating unit requirements.
- Curb adaptors are designed to attach to an existing curb with side x side duct connections. The curb adaptor is not designed for use with concentric duct configuration.
- No calculations are available for this product. For a calculated product, please contact factory for part number, pricing, and lead time.
- Please contact factory for more detailed dimensional information if required. Designs are based on standard factory dimensions, and may differ in the field.

THIS DOCUMENT IS THE PROPERTY OF MICROMETL CORPORATION AND IS DELIVERED UPON THE EXPRESS CONDITION THAT THE CONTENTS WILL NOT BE DISCLOSED OR USED WITHOUT MICROMETL'S WRITTEN CONSENT

FORM NO. 2335-9P