



**STANDARD CONSTRUCTION**

MATERIAL:  
24/26/28/30 GAUGE ASTM A-653 HOT-DIPPED  
GALVANIZED STEEL SHEET

STANDARD SIZES:

DIAMETER	LENGTH	FT. / BUNDLE
3"	5'	25'
4"	5'	25'
5"	5'	50'
6"	5'	50'
7"	5'	50'
8"	5'	50'
10"	5'	50'
12"	5'	50'
14"	3'	30'
16"	3'	30'
18"	3'	30'
20"	3'	30'

**FEATURES**

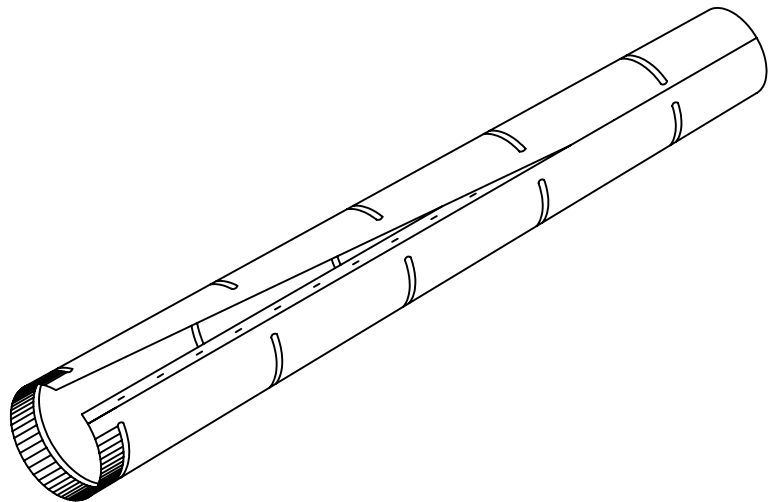
GALVANIZED STEEL PROVIDES EXCELLENT CORROSION RESISTANCE AND LONGEVITY.

PIPES 8" AND OVER HAVE FIVE REINFORCING BEADS PER LENGTH FOR ADDED STRENGTH.

FULLY LOCKING SEAM.

SOLD BY THE FOOT.

OPTION: CUSTOM SIZES AVAILABLE.  
24 GAUGE AVAILABLE FOR SIZES 10" AND UP.



JOB NAME:
LOCATION:
ARCHITECT:
ENGINEER:
CONTRACTOR:
CONTACT MIAMI TECH INC. FOR ADDITIONAL INFORMATION OR WITH SPECIAL REQUIREMENTS.  3611 NW 74TH ST MIAMI, FL 33147 PHONE: 305-693-7054 FAX: 305-693-6152  WEB: WWW.MIAMITECH.COM EMAIL: SALES@MIAMITECH.COM

**SLP**

SNAP LOCK PIPE  
PRODUCT SPECIFICATIONS

NOTE: ALL DRAWINGS SUBJECT TO CHANGE WITHOUT PRIOR NOTICE.



DRAWN BY: AF	DATE: 10/17/07	SCALE: NOT TO SCALE	DRAWING NO.
CHECKED BY: IG	DATE: 10/17/07	REVISION: 1	

SLP