

STANDARD CONSTRUCTION

OUTSIDE CASING
30 GAUGE HOT -DIPPED GALVANIZED STEEL

PERIMETER FLANGE:
30 GAUGE HOT DIPPED GALVANIZED STEEL
COLLAR: 30 GAUGE HOT DIPPED GALVANIZED STEEL

INSULATION:
R4.2,R6 OR R8 BLACK DIFFUSER BOARD AVAILABLE

OPTIONS:
UNFLANGED (R4/R6/R8BU)
W/COLLAR (R4/R6/R8BC)
W/ GASKET (R4/R6/R8BFG)
CUSTOM SIZES AVAILABLE

STANDARD SIZES :

W X H
4"X 4"
6"X 4"
6"X 6"
8"X 4"
8"X 6"
8"X 8"
10"X 4"
10"X 6"
10"X 8"
10"X 10"
12"X 6"
12"X 8"
12"X 10"
12"X 12"
14"X 6"
14"X 8"
14"X 14"
16"X 6"
16"X 8"
16"X 16"

FEATURES

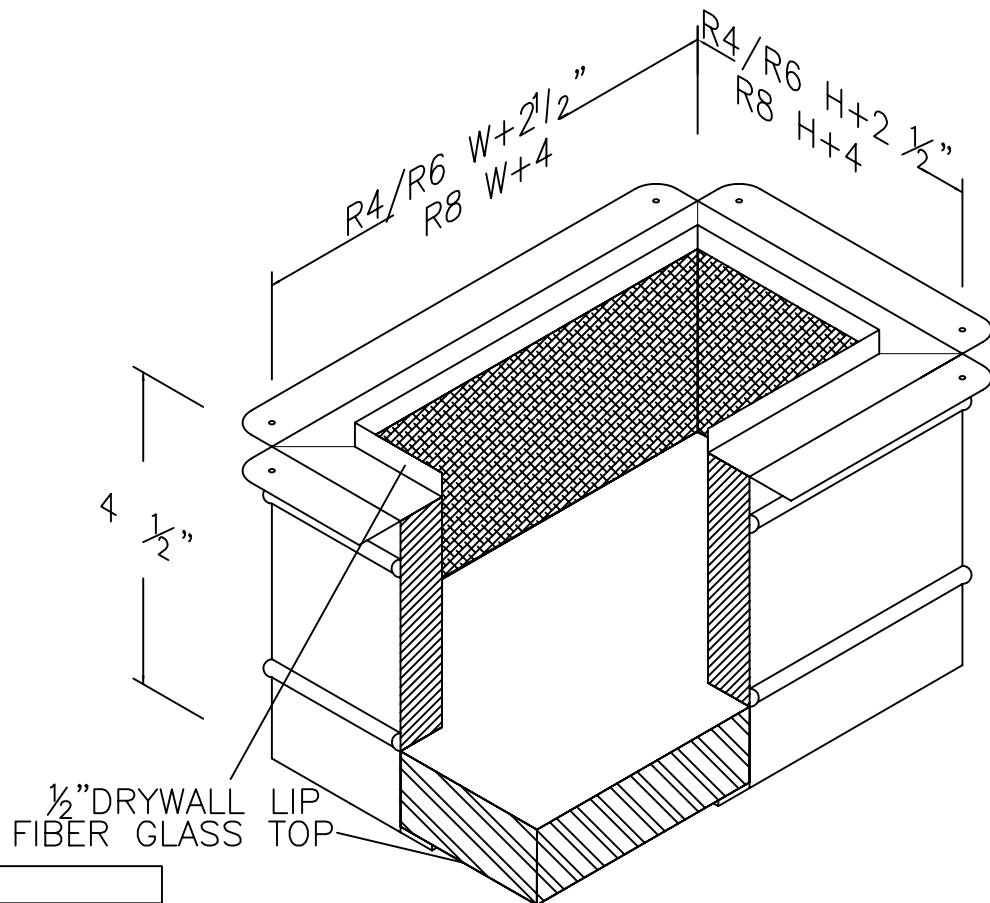
1" PERIMETER FLANGE PROVIDED FOR EASY INSTALLATION

DESIGN INCLUDES 1/2" DRYWALL LIP AND ROUNDED CORNERS FOR ADDED SAFETY

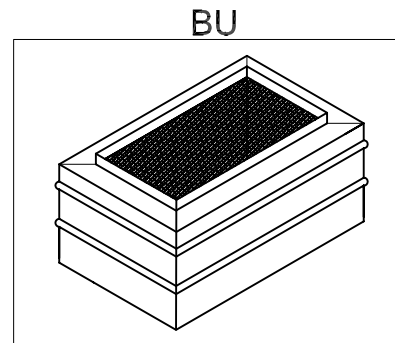
OPENING 1/4" OVERSIZED TO ACCOMMODATE REGISTER /GRILLE.

DUAL BEAD BOX DESIGN FOR ADDED STRENGTH.

BLACK DIFFUSER BOARD COATED WITH
EPA-REGISTERED,ANTI-MICROBIAL,PROTECTIVE
ACRYLIC AGENT ALONG AIR STREAM SIDE.



JOB NAME:
LOCATION:
ARCHITECT:
ENGINEER:
CONTRACTOR:
CONTACT MIAMI TECH INC. FOR ADDITIONAL INFORMATION OR WITH SPECIAL REQUIREMENTS.
3611 NW 74TH ST MIAMI, FL 33147
PHONE: 305-693-7054 FAX: 305-693-6152
WEB: WWW.MIAMITECH.COM EMAIL: SALES@MIAMITECH.COM


R4/R6/R8BF

FIBER GLASS BAKED
FLANGED REGISTER BOX
PRODUCT SPECIFICATIONS

NOTE: ALL DRAWINGS SUBJECT TO CHANGE WITHOUT PRIOR NOTICE.

DRAWN BY: AF	DATE: 01/21/2009	SCALE: NOT TO SCALE	DRAWING NO. R4R6R8BF
CHECKED BY: IV	DATE: 01/21/2009	REVISION: 01	