



STANDARD CONSTRUCTION

BODY:
26/28 GAUGE ASTM A-653 HOT-DIPPED
GALVANIZED STEEL SHEET

STANDARD SIZES:

DIAMETER	MODEL	CASE QTY	W/ SCOOP	CASE QTY	W/ DAMPER	CASE QTY	W/ DAMPER AND SCOOP	CASE QTY
4"	FCL04	100	FCZ04	80	FCD04	100	FCZD04	80
5"	FCL05	100	FCZ05	70	FCD05	100	FCZD05	70
6"	FCL06	75	FCZ06	60	FCD06	75	FCZD06	60
7"	FCL07	60	FCZ07	50	FCD07	60	FCZD07	50
8"	FCL08	50	FCZ08	40	FCD08	50	FCZD08	40
9"	FCL09	40	FCZ09	30	FCD09	40	FCZD09	30
10"	FCL10	40	FCZ10	30	FCD10	40	FCZD10	30
12"	FCL12	25	FCZ12	20	FCD12	25	FCZD12	20
14"	FCL14	50	FCZ14	15	FCD14	50	FCZD14	15
16"	FCL16	15	FCZ16	15	FCD16	15	FCZD16	12
18"	FCL18	15	FCZ18	10	FCD18	15	FCZD18	8
20"	FCL20	15	FCZ20	10	FCD20	15	FCZD20	6

FEATURES

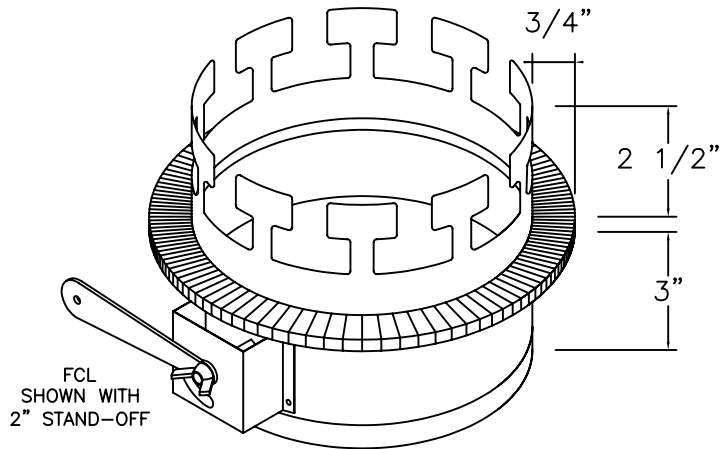
DESIGNED TO ACCOMMODATE R4 AND R6 DUCTBOARD

3/4" FLANGE DIMENSION. (EXCEEDS FLORIDA BUILDING CODE.)

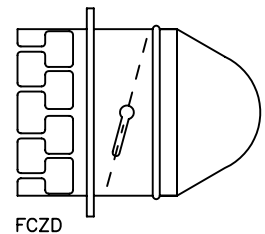
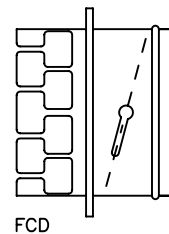
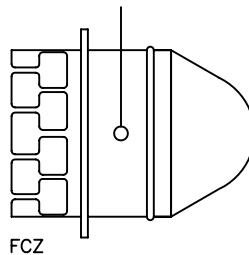
BODY PRE-PUNCHED WITH HOLES FOR FIELD INSTALLATION OF DAMPERS.

FULLY HEMMED, NO RAW EDGES.

OPTIONS: CUSTOM SIZES AVAILABLE
2" STAND-OFF (ADD -SO TO PART NO.)
GASKET (ADD G TO PART NO.)



MOUNTING HOLES FOR OPTIONAL DAMPER



JOB NAME:
LOCATION:
ARCHITECT:
ENGINEER:
CONTRACTOR:
CONTACT MIAMI TECH INC. FOR ADDITIONAL INFORMATION OR WITH SPECIAL REQUIREMENTS.
3611 NW 74TH ST MIAMI, FL 33147 PHONE: 305-693-7054 FAX: 305-693-6152
WEB: WWW.MIAMITECH.COM EMAIL: SALES@MIAMITECH.COM

FCL

TAB COLLARS FOR FIBERGLASS
PRODUCT SPECIFICATIONS

NOTE: ALL DRAWINGS SUBJECT TO CHANGE WITHOUT PRIOR NOTICE.



DRAWN BY: AF
DATE: 10/10/07

CHECKED BY: IG
DATE: 8/31/10

SCALE: NOT TO SCALE

REVISION: 3

DRAWING NO. FCL

DRAWING NO. FCL