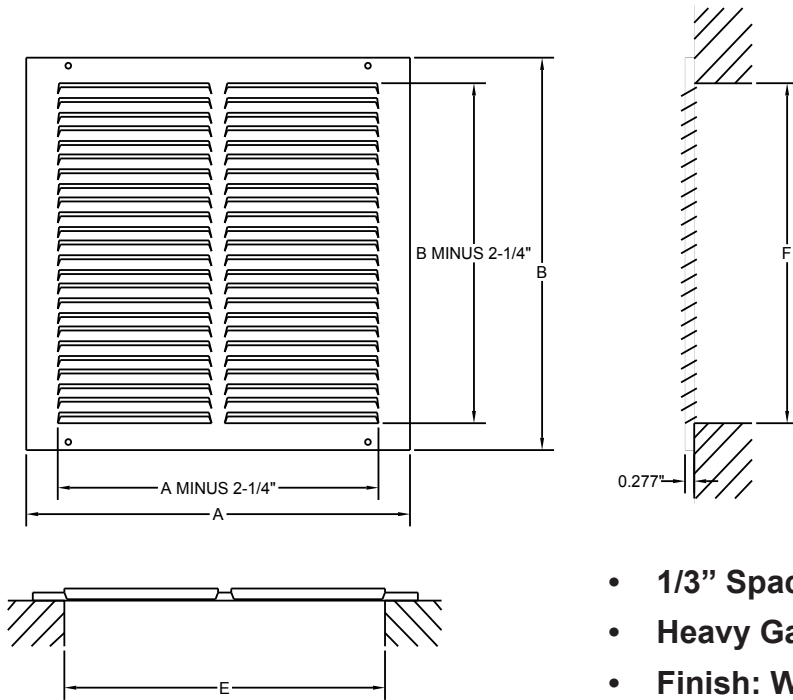




MF3RG SERIES RETURN AIR GRILLE 1/3" SPACED SPECIFICATION CHART



- **1/3" Spaced Louvers**
- **Heavy Gauge Steel Construction**
- **Finish: White**

Return Air Grille (1/3" Spaced) Dimensional Chart

Size (ExF)	Dimensions (See Detail Sketches)		Size (ExF)	Dimensions (See Detail Sketches)		Size (ExF)	Dimensions (See Detail Sketches)	
	A	B		A	B		A	B
10x6	11-3/4	7-3/4	14x10	15-3/4	11-3/4	24x6	25-3/4	7-3/4
12x6	13-3/4	7-3/4	14x14	15-3/4	15-3/4	24x8	25-3/4	9-3/4
12x12	13-3/4	13-3/4	20x10	21-3/4	11-3/4	30x6	31-3/4	7-3/4
14x6	15-3/4	7-3/4	20x20	21-3/4	21-3/4	30x8	31-3/4	9-3/4
14x8	15-3/4	9-3/4						



MF3RG SERIES RETURN AIR GRILLE 1/3" SPACED SPECIFICATION CHART (CONTINUED)

Return Air Grille (1/3" Spacing)						
Face Velocity		295	395	490	590	690
10x6	cfm	85	110	140	170	200
A _k 0.28	Ps (In. H ₂ O)	0.010	0.016	0.027	0.039	0.058
12x6	cfm	100	135	170	200	235
A _k 0.34	Ps (In. H ₂ O)	0.010	0.017	0.027	0.040	0.057
12x12	cfm	205	270	340	410	475
A _k 0.68	Ps (In. H ₂ O)	0.011	0.017	0.027	0.040	0.057
14x6	cfm	120	160	200	240	275
A _k 0.39	Ps (In. H ₂ O)	0.009	0.018	0.026	0.040	0.056
14x8	cfm	160	210	265	315	370
A _k 0.53	Ps (In. H ₂ O)	0.010	0.016	0.026	0.039	0.059
14x10	cfm	200	270	335	400	470
A _k 0.68	Ps (In. H ₂ O)	0.012	0.020	0.028	0.044	0.056
14x14	cfm	280	370	465	560	650
A _k 0.93	Ps (In. H ₂ O)	0.009	0.017	0.025	0.039	0.056
20x10	cfm	285	380	475	570	665
A _k 0.95	Ps (In. H ₂ O)	0.010	0.017	0.027	0.040	0.057
20x20	cfm	575	765	960	1150	1340
A _k 1.92	Ps (In. H ₂ O)	0.011	0.018	0.028	0.039	0.058
24x6	cfm	205	270	340	410	475
A _k 0.68	Ps (In. H ₂ O)	0.010	0.017	0.027	0.040	0.057
24x8	cfm	275	365	455	545	640
A _k 0.91	Ps (In. H ₂ O)	0.011	0.017	0.028	0.039	0.057
30x6	cfm	255	340	425	510	595
A _k 0.85	Ps (In. H ₂ O)	0.010	0.019	0.027	0.042	0.055
30x8	cfm	345	455	470	685	800
A _k 1.14	Ps (In. H ₂ O)	0.012	0.019	0.027	0.043	0.060