



M&M Manufacturing Company

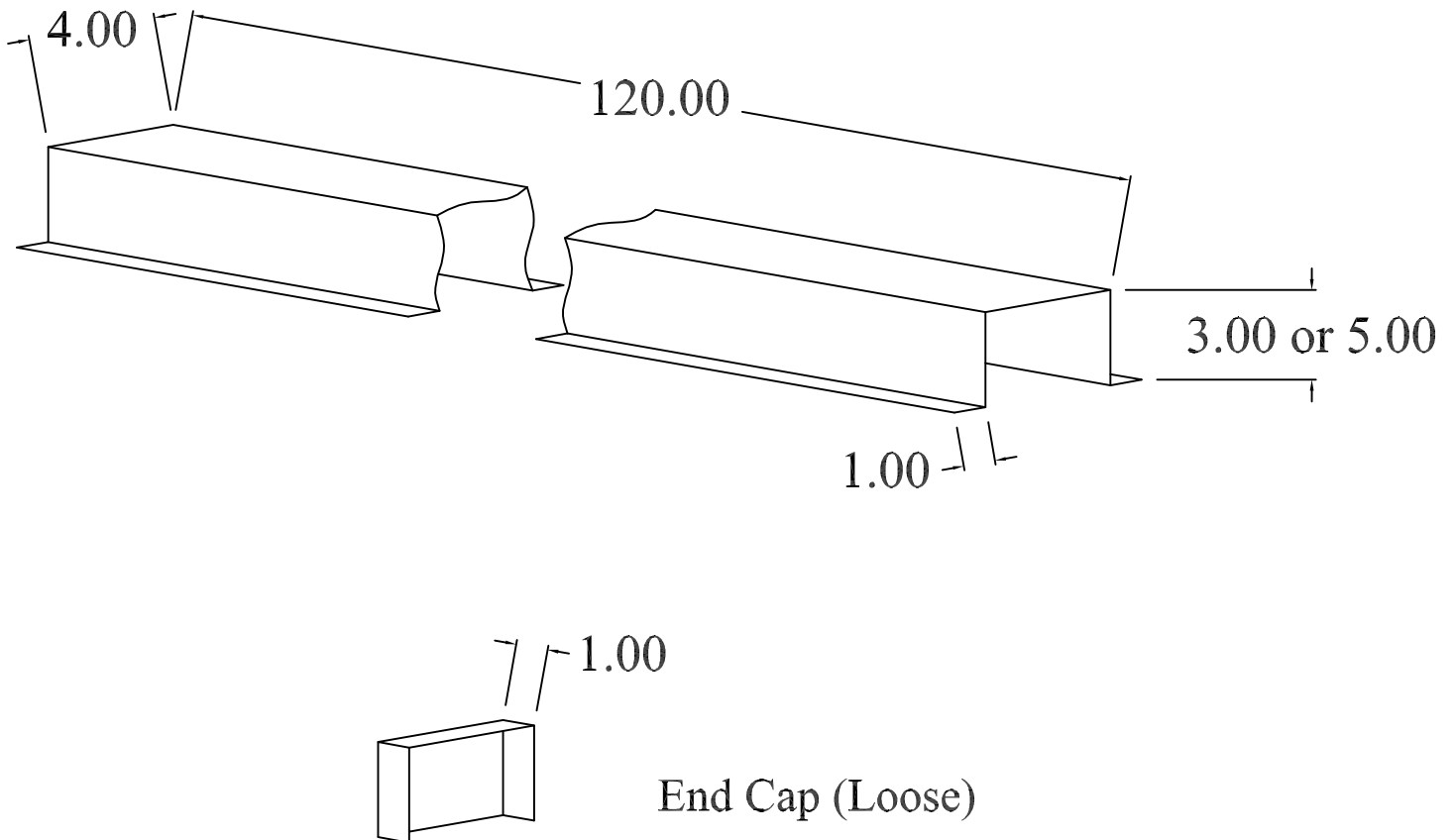
www.mmmfg.com

FORT WORTH (MkIV)
(817)-336-2311

FORT WORTH (Adolph)
(817)-334-0034

DALLAS
(972)-485-1504

HOUSTON
(713)-690-0585



PART #: MP-LSC* **DESCRIPTION:** Line Set Cover

NOTES: Material: ASTM-A653 CS B bonderized and phosphatized steel

26 gauge

*Order per descriptions below

Pt# MP-LSC (3" x 4" x 3" x 10' w/loose cap)

Pt# MP-LSCC (3" x 4" x 3" cap only)

Pt# MP-LSC5 (5" x 4" x 5" x 10' w/loose cap)

Pt# MP-LSC5C (5" x 4" x 5" cap only)