

# M&M Manufacturing Company

FORT WORTH (MKIV)  
(817)-336-2311

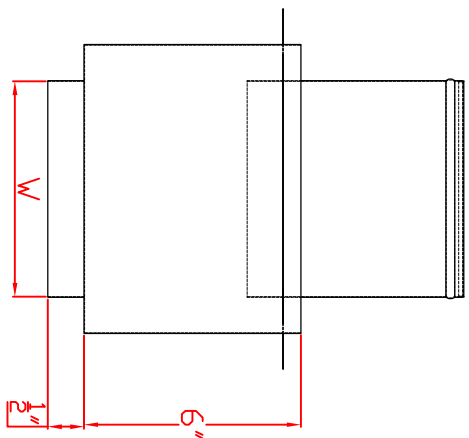
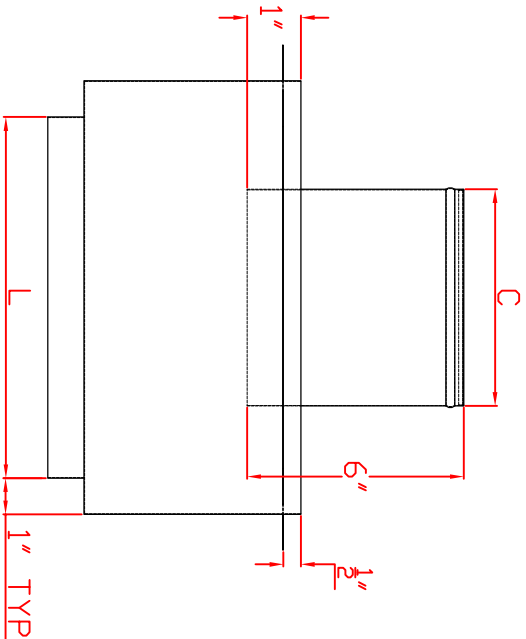
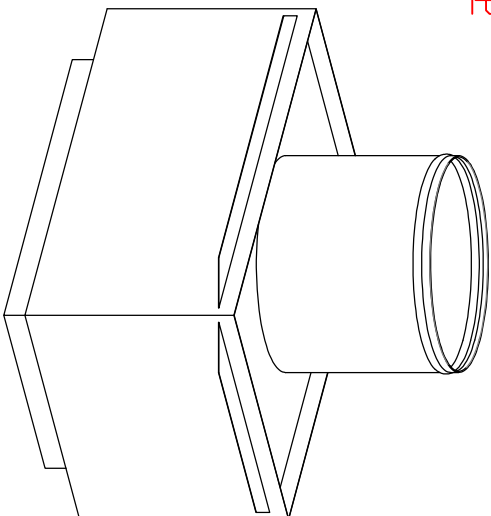
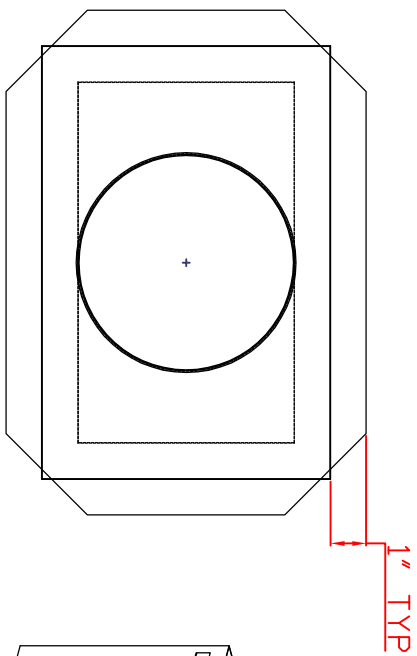
FORT WORTH (Ado]ph)  
(817)-334-0034

DALLAS  
(972)-485-1504

HOUSTON  
(713)-690-0585

LITTLE ROCK  
(501)-888-3042

WWW.MMMFG.COM



PART NO	L	W	C
CP-502TR6665	6	6	5
CP-502TR6666	6	6	6
CP-502TR6845	8	4	5
CP-502TR6866	8	6	6
CP-502TR6887	8	8	7
CP-502TR61066	10	6	6
CP-502TR61067	10	6	7
CP-502TR61086	10	8	6
CP-502TR610107	10	10	7
CP-502TR610108	10	10	8
CP-502TR610109	10	10	9
CP-502TR6101010	10	10	10
CP-502TR61266	12	6	6
CP-502TR61267	12	6	7
CP-502TR61268	12	6	8
CP-502TR61288	12	8	8
CP-502TR61289	12	8	9
CP-502TR612128	12	12	8
CP-502TR612129	12	12	9
CP-502TR6121210	12	12	10
CP-502TR61468	14	6	8
CP-502TR61489	14	8	9
CP-502TR6141412	14	14	12

PART #:  
CP-502TR6(L)(W)(C)

DESCRIPTION: R6 INSULATION WITH 6" TALL COLLAR AND TOP FLANGE

NOTES: Material: 30GA GALVANIZED CONSTRUCTION  
1-1/2" DUCTLINER PROVIDING R-FACTOR R-6