



M&M Manufacturing Company

www.mmmfg.com

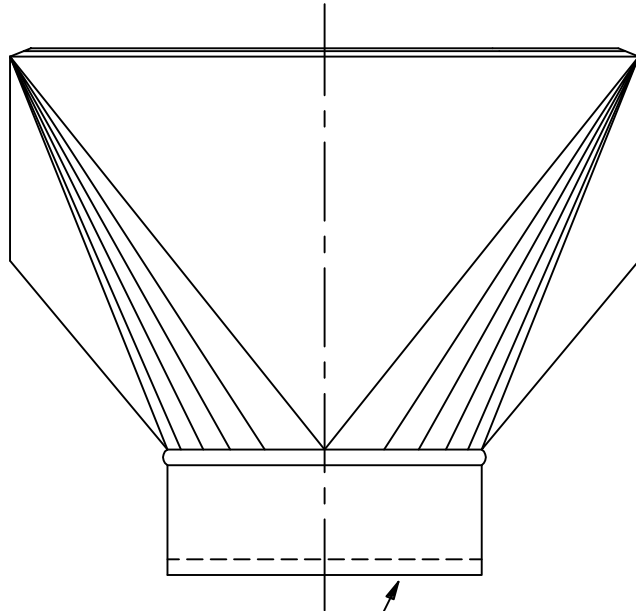
FORT WORTH (MkIV)
(817)-336-2311

FORT WORTH (Adolph)
(817)-334-0034

DALLAS
(972)-485-1504

HOUSTON
(713)-690-0585

LITTLE ROCK
(501)-888-3042



Hemmed collar

Available sizes

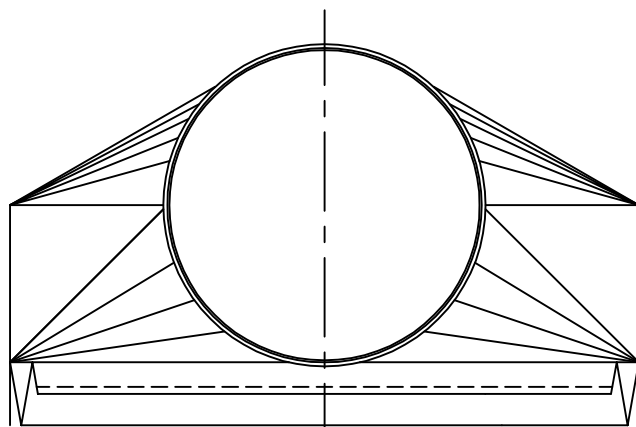
10" x 3 1/4" - 5" rd. Pt# 203S1031/45

10" x 3 1/4" - 6" rd. Pt# 203S1031/46

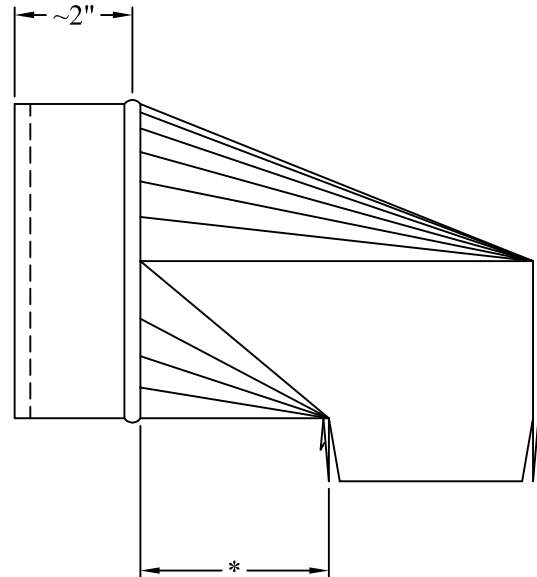
10" x 3 1/4" - 7" rd. Pt# 203S1031/47

12" x 3 1/4" - 7" rd. Pt# 203S1231/47

14" x 3 1/4" - 8" rd. Pt# 203S1431/48



Accepts wall stack



*Minimum transition length
Varies with size

PART #: 203S(Size) | **DESCRIPTION:** 90o angle wall stack boot

NOTES: Material: 30 ga. ASTM-A653 CS B galvanized steel

See above for available sizes

Order by Pt# 203S(Rectangular dimension in inches)(Diameter in inches)