



M&M Manufacturing Company

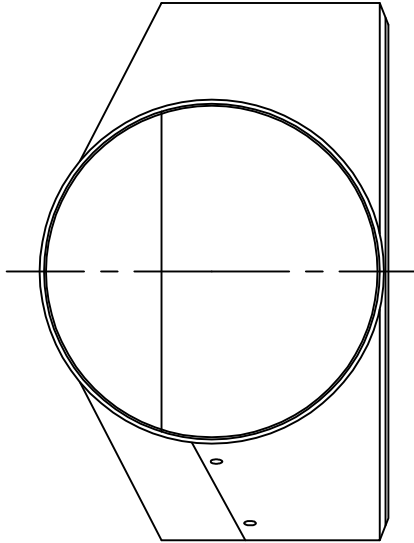
www.mmmfg.com

FORT WORTH (MkIV)
(817)-336-2311

FORT WORTH (Adolph)
(817)-334-0034

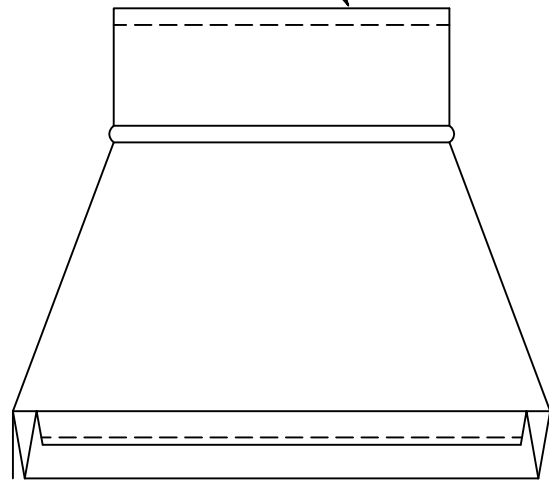
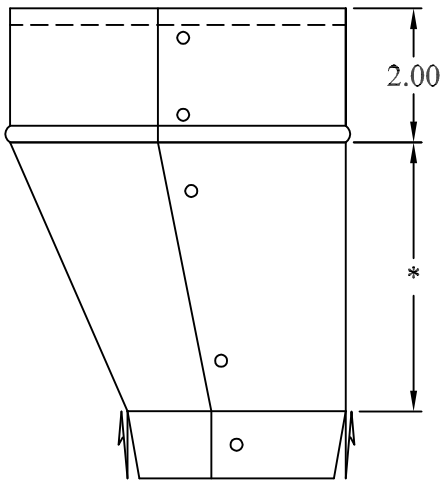
DALLAS
(972)-485-1504

HOUSTON
(713)-690-0585



*Minimum transition length
Varies with size

Hemmed collar



Accepts wall stack

PART #: 201S(Size) **DESCRIPTION:** Wall stack boot

NOTES: Material: 30 ga. ASTM-A653 CS B galvanized steel

Popular sizes available. See catalog, web site or contact us for details

Order as Pt# 201S(Rectangular dimension in inches)(Diameter in inches)