

ICM2805A FURNACE CONTROL MODULE



Low cost, form, fit and functional replacement control board

Features

- Controls gas valve, inducer draft motor, circulating blower and hot surface ignitor
- Monitors timing, trial for ignition, flame sensing, lockout, plus pressure, rollout and limit switches.
- Microprocessor-based precision
- Twinning compatible with another ICM2805A furnace control
- Diagnostic LEDs aid in testing and troubleshooting
- Replaces: Nordyne 903106-Kit (for use with G3, G4, G5, G6, M2 and M3 furnace modules)



Specifications

Voltage Range: Line (98 to 132 VAC) @ 60Hz

Ignitor: 5A, 120 VAC

Cool Blower: 10A, 2HP, 240 VAC

Heat: 5A, 1/2 HP, 250 VAC

Inducer Blower: 4A, 120 VAC

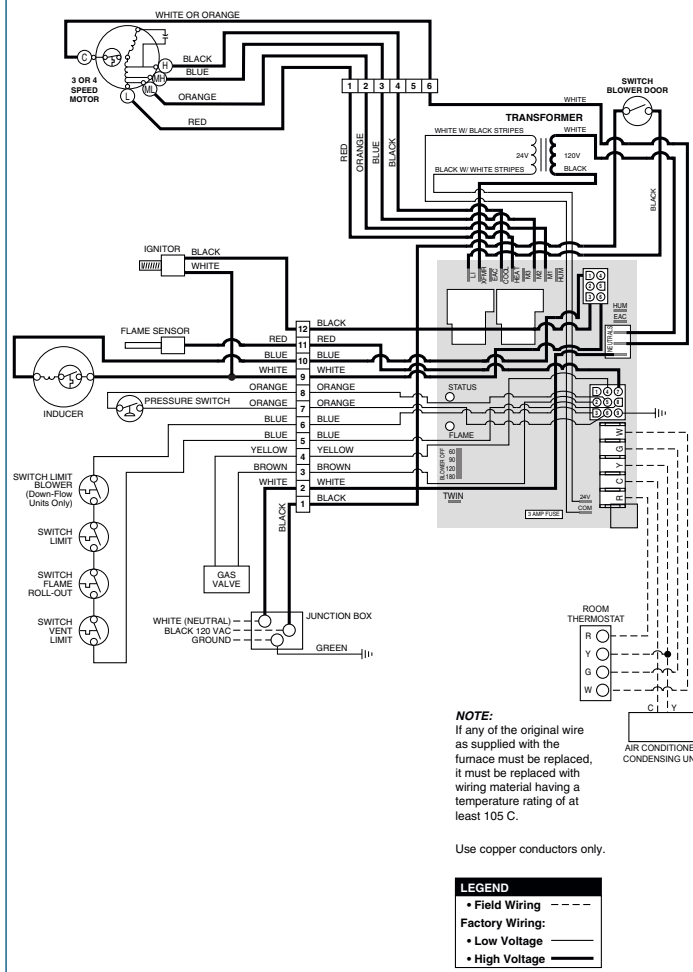
Gas Valve: 1A, 24 VAC

Humidifier Motor: 0.5A, 24 VAC

Electronic Air Cleaner: 1A, 120 VAC

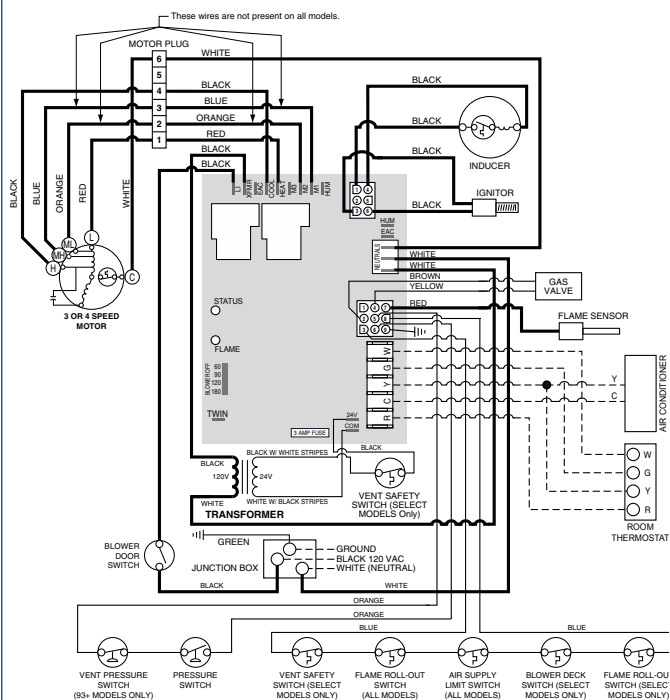
Wiring Diagram # 1

For Models G(3,4)R(-) Gas Furnaces with
UTEK Control Board #624631



Wiring Diagram #2

For 80+ and 90+ Model Furnaces



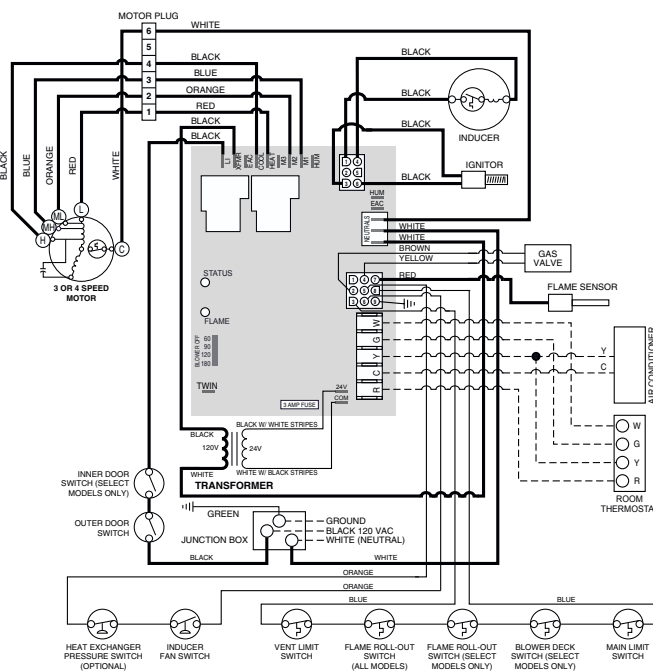
NOTE:
If any of the original wire as supplied with the furnace must be replaced, it must be replaced with wiring material having a temperature rating of at least 105 C.

Use copper conductors only.

LEGEND	
• Field Wiring	---
• Factory Wiring:	—
• Low Voltage	—
• High Voltage	—

Wiring Diagram #3

For Models G5R(-) Gas Furnace with UTEC Control Board #624631



NOTE:
If any of the original wire as supplied with the furnace must be replaced, it must be replaced with wiring material having a temperature rating of at least 105 C.

Use copper conductors only.

LEGEND	
• Field Wiring	---
• Factory Wiring:	—
• Low Voltage	—
• High Voltage	—