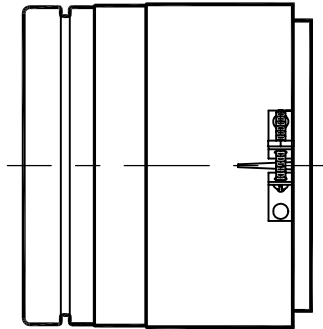
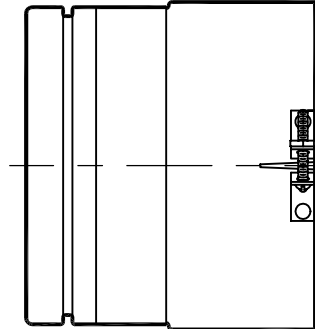


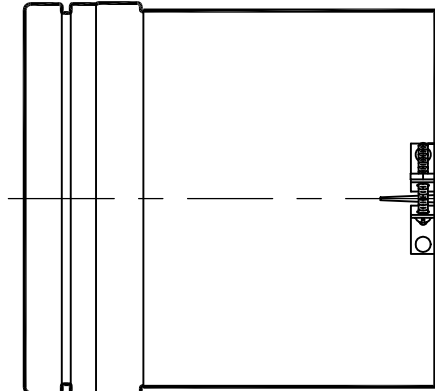
- MATERIAL:
OUTER - .018 THICK, G-90 GALVANIZED STEEL
INNER - .012 THICK, ALUMINUM



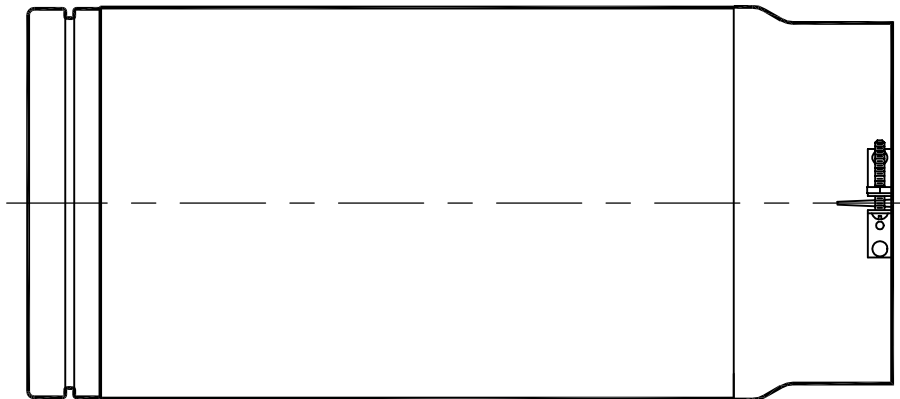
3 - 6RA



3 - 6RAA



7 - 8RAA



7 - 8RA

OTHER MANUFACTURERS	PIPE DIA	ADAPTER
SELKIRK METALBESTOS/ HOUSEHOLD MANUFACTURING CO.	3-6	RA OR RPA
	7-8	RA
METAL-FAB, INC	3-6	RA OR RPA
	7-8	RA
AMERICAN METAL PRODUCTS. INC	3-6	RA OR RPA
	7-8	RPA
GENERAL PRODUCTS COMPANY, INC	3-6	RAA
	7-8	RAA
SIMPSON DURA-VENT	3-8	RAA
	7-8	RAA



JOB NAME: _____	SUBMITTED BY: _____	DATE: 1/28/99	SD-3127
LOCATION: _____	<p>Type B Gas Vent Adapter RA/RAA Others To Metlvent</p>		
ARCHITECT: _____			
ENGINEER: _____			
CONTRACTOR: _____			