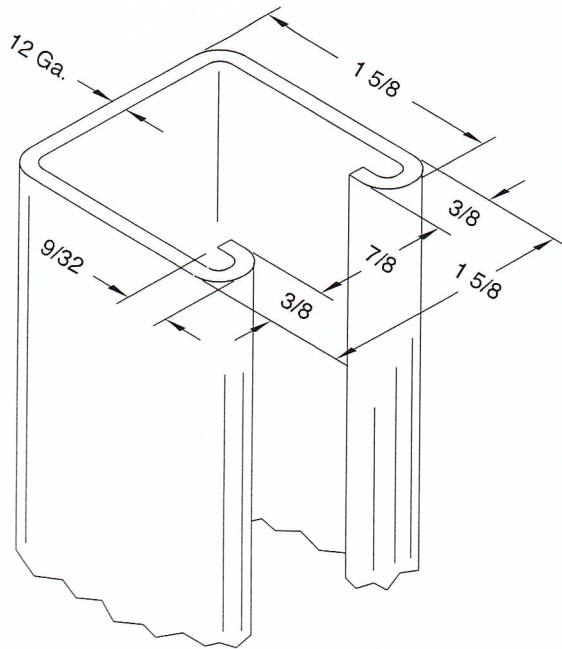
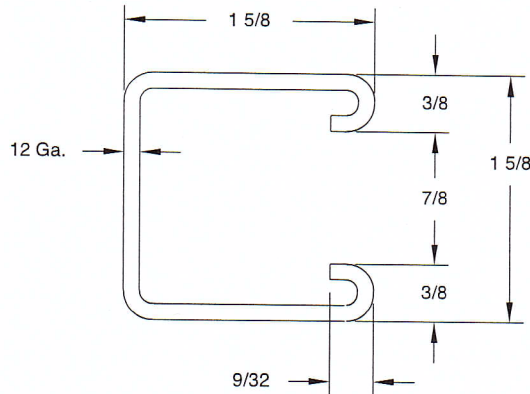


G-STRUT®

Section 7



	G582OS [Oval-Slot]
	9/16" x 1-18" - 2" ON CTR
	G582LS [Long-Slot]
	13/32" x 3" - 4" ON CTR
	G582H [Holes]
	9/16" DIAM. - 1-7/8" ON CTR
	G582A [Back-to-Back]
	WELDED
	G582KO [Knock-Out]
	7/8" DIAM. - 6" ON CTR



ENGINEERING DATA

ITEM	QNT'Y	DESCRIPTION	MATERIAL
		ROLLFORM TOLERANCES	
SCALE	FULL	CHK'D BY	LENGTH ± 0.125"
DWN BY	IDI 02-02-02	APP'D BY	ALL OTHER DIMENSIONS ± 0.020"
G-STRUT CHANNEL, PART # G582			
CAD FILENAME: G582		GREGORY STRUT PRODUCTS Division of Gregory Industries 4100 13th Street SW; Canton, OH 44710 PH: 330-477-4800 FX: 330-477-0626	REF. No.
LAST PLOT DATE: 02-02-02			DRWG No. G582

THIS DRAWING IS THE PROPERTY OF GREGORY STRUT PRODUCTS AND IS LOANED WITHOUT OTHER CONSIDERATION THAN THE AGREEMENT AND CONDITION THAT IT IS NOT TO BE REPRODUCED, COPIED OR OTHERWISE DISPOSED OF DIRECTLY OR INDIRECTLY, AND IS NOT TO BE USED IN WHOLE OR IN PART TO ASSIST IN MAKING OR TO IMPROVE THE DESIGN OF ANY OTHER PRODUCT OR PART. ANY REUSE OR REPRODUCTION OF THIS DRAWING OR ANY PART THEREOF WITHOUT THE WRITTEN PERMISSION OF GREGORY STRUT PRODUCTS IS PROHIBITED. THE APPEARANCE OF THIS DRAWING WILL BE CONSIDERED AS AN ACCEPTANCE OF THE FOREGOING CONDITIONS AND AS AN ADMISSION OF THE EXCLUSIVE OWNERSHIP IN AND TO THE DRAWING OF GREGORY STRUT PRODUCTS.