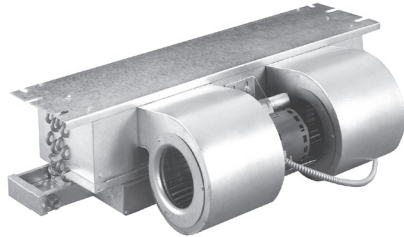


NEW MODELS
ADDED (20, 26, 32)



HX(-C) Series
Horizontal Recessed
Ceiling Fan Coil
1-1/2 - 3 Tons Cooling
0 - 10 kW Electric Heat

NEW OPTION:
MERV 8 FILTER PANELS



HX Fan Coil



Optional Access Panel
(non-louvered shown)
(see P. 3 for information)

The space-saving **HX** Series fan coil is only 10" high (11" with enclosure), allowing it to recess in a ceiling. Recessed ceiling fan coils save valuable floor space and eliminate costly "equipment" closets.

The **HX** series is compatible with most split-system

condensing units and heat pumps (**heat pumps with electric heat require field added kit - see P. 2**).

(1) **First Co's customer is ultimately responsible for confirming which fan coil models are compatible with selected outdoor unit(s) and which expansion valves (if any) are required. To determine certified indoor/outdoor matches, go to www.firstco.com or contact the factory.**

All **HX** fan coils include a 240/24V transformer and are completely prewired with 0 to 10 kW of electric heat. A sloped drain pan allows positive drainage of condensate.

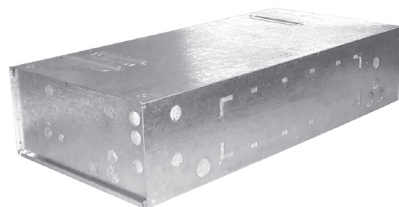
For **HX** fan coils factory installed within an enclosure, add "**-C**" after the **kW** in the model number. For instance, ordering model **18HX5-C** will include an **18HX5** factory installed in a # **9EHX01** enclosure and your choice of either a solid or louvered panel (see "Enclosures with Ceiling Panels" on P. 3).

Standard Features:

- Drain pan has 3/4" NPT primary and secondary (overflow) fittings
- 240V motor, 24V controls
- Highly efficient copper tube/aluminum fin heating and cooling coils. Cooling coil has a piston-type metering device or factory or field installed R410A TXV (non-bleed type). Contact factory for correct match with outdoor unit.
- Insulated and coated galvanized steel drain pan is sloped for proper drainage.

Optional Features:

- Attractive off-white return air / access panel with captive screws (panels can be field painted)
- **IAQ filter panels** (see P. 3)
- Fully insulated enclosure with matching ceiling panel (enclosure can be pre-installed). Also allows for ducted return air.
- Heat pump kit - for all HX models with electric heat (**#942-1**) (field installed)
- Factory or field installed R410 TXV (non-bleed type)
- Condensate overflow switch (**# SS3**) (Field installed)
- Enclosure (Cap" kit - for above the ceiling installation (P. 4)



Optional Insulated Enclosure
(see P. 3 for information)

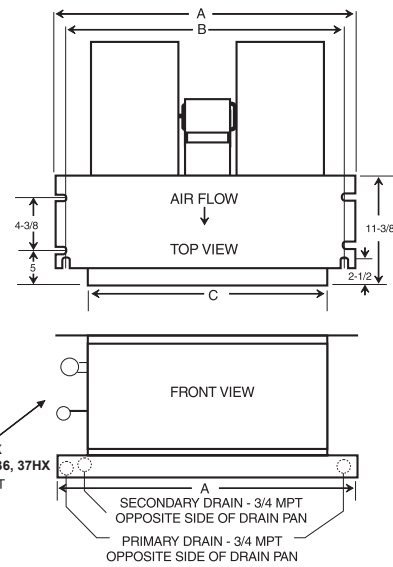
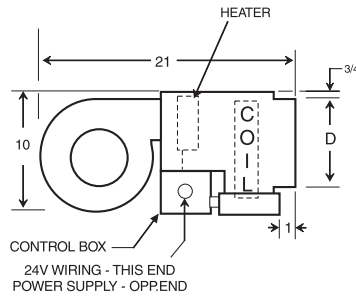


Matching Access Panel for Enclosure
(non-louvered shown)
(see P. 3 for information)

HX(-C) Series

1-1/2 through 3 tons

Approved for installation with 0" clearance to combustible materials



(See P. 4 for Model Numbers)

PERFORMANCE DATA										
UNIT MODEL	NOM. CFM	NOM. COOL BTUH	HEAT		TOTAL AMPS	MIN. CIR. AMPACITY		(2) MAX FUSE		
			kW	BTUH		208V	240V	208V	240V	
18HX	600	18,000	---	---	2.0	3	3	15	15	
			-3	3	10,200	14.5	16	20	20	20
			-5	5	17,000	22.8	25	30	25	30
			-6	6	20,500	27.0	30	35	30	35
			-8	8	27,300	35.3	39	47	40	50
			-10	10	34,100	43.6	48	55	50	60
19HX & 20HX	600	18,000	---	---	1.0	2	2	15	15	
			-3	3	10,200	13.5	15	18	15	20
			-5	5	17,000	21.8	24	30	25	30
			-6	6	20,500	26.0	29	35	30	35
			-8	8	27,300	34.3	38	47	40	50
			-10	10	34,100	42.6	47	55	50	60
24, 25HX & 26HX	800	24,000	---	---	2.0	3	3	15	15	
			-3	3	10,200	14.5	16	20	20	20
			-5	5	17,000	22.8	25	30	25	30
			-6	6	20,500	27.0	29	35	30	35
			-8	8	27,300	35.3	39	47	40	50
			-10	10	34,100	43.6	48	55	50	60
30, 31HX & 32HX	1000	30,000	---	---	2.0	3	3	15	15	
			-3	3	10,200	14.5	16	20	20	20
			-5	5	17,000	22.8	25	30	25	30
			-6	6	20,500	27.0	29	35	30	35
			-8	8	27,300	35.3	39	47	40	50
			-10	10	34,100	43.6	48	55	50	60
36HX & 37HX	1200	36,000	---	---	2.8	4	4	15	15	
			-3	3	10,200	15.3	18	20	20	20
			-5	5	17,000	23.6	27	30	30	30
			-6	6	20,500	27.8	31	35	35	35
			-8	8	27,300	36.1	40	46	40	50
			-10	10	34,100	44.5	49	56	50	60
HIGH STATIC MODELS (special order)										
24HXB	800	24,000	5	17,000	22.8	25	30	25	30	
			6	20,500	27.0	29	35	30	35	
			8	27,300	35.3	39	47	40	50	
			10	34,100	43.6	48	55	50	60	
30HXB	1000	30,000	5	17,000	23.2	26	30	30	30	
			6	20,500	27.5	30	35	30	35	
			8	27,300	35.8	39	47	40	50	
			10	34,100	44.1	48	56	50	60	

PHYSICAL DIMENSIONS				
MODEL	A	B	C	D
18HX 19HX 24HX 24HXB	37-1/4	34-11/16	30	6-1/2
20HX 25HX 30HX 30HXB	43-1/4	40-11/16	36	6-1/2
26, 31, 36HX	49-1/4	46-11/16	42	6-1/2
32, 37HX	56-1/4	53-11/16	49	6-1/2

BLOWER DATA								
UNIT MODEL	MOTOR HP (240V)	CFM vs. EXTERNAL STATIC PRESSURE						
		0.00	0.05	0.10	0.15	0.20	0.25	0.30
18HX	1/8	810	775	740	705	670	640	610
19HX	1/8	820	785	750	715	680	650	620
20HX	1/8	850	815	780	745	710	670	630
24HX	1/4	910	875	840	805	770	730	690
25HX	1/4	930	895	860	825	790	750	710
26HX	1/4	960	925	890	850	810	770	730
24HXB	1/4	---	---	---	920	890	860	830
30, 31HX	1/4	1110	1075	1040	990	940	900	860
32HX	1/4	1170	1140	1110	1075	1040	1000	960
30HXB	1/3	---	---	---	1110	1070	1030	990
36HX	1/3	1410	1370	1330	1290	1250	1210	1170
37HX	1/3	1460	1420	1380	1340	1300	1250	1200

- (1) B models **NOT** recommended for free air delivery.
- (2) Add .05 static when enclosure is used.

EXPANSION VALVE KITS (Heat pump or cooling only)		
PART NO.	TYPE	FOR
9EVR410-1	R410A	18 - 37HX (1-1/2 - 3 TON)

- NOTES:**
- Above expansion valve kits are approved for both cooling only (non heat pump) or heat pump applications.
 - Valves are non-bleed type. Field added. Hard start kit may be required
 - Valves have screw-on connections.
 - Field installed.

HEAT PUMP KIT (FIELD INSTALLED)	
PART NO.	DESCRIPTION
942-1	KIT FOR HX MODELS WITH ELECTRIC HEAT

Note: Heat pump kit must be field installed for all HX models with electric heat. 0 kW models do not require kit. **Contact the factory for compatibility match with condensing unit.**

In keeping with its policy of continuous progress and product improvement, First Co. reserves the right to make changes without notice. Maintenance for all First Co. products is available under "Product Maintenance" at www.firstco.com.



Ceiling Access Panels - (For HX's installed without enclosure)

CEILING ACCESS PANELS							
FOR MODEL	PANEL NO. (STD.)	PANEL NO. (IAQ)	DESCRIPTION	CEILING PANEL OPENING		PANEL FRAME DIMS. (OUTSIDE)	
18, 19, 24HX	965	965-M8	LOUVERED	24-1/2	40	27-1/2	43
	965-1	NA	NON-LOUVERED	24-1/2	40	27-1/2	43
20, 25, 30HX	966	966-M8	LOUVERED	24-1/2	46	27-1/2	49
	966-1	NA	NON-LOUVERED	24-1/2	46	27-1/2	49
26, 31, 36HX	967	967-M8	LOUVERED	24-1/2	52-1/2	27-1/2	55-1/2
	967-1	NA	NON-LOUVERED	24-1/2	52-1/2	27-1/2	55-1/2
32, 37HX	967-6	967-6-M8	LOUVERED	24-1/2	60	27-1/2	63
	967-7	NA	NON-LOUVERED	24-1/2	60	27-1/2	63

STANDARD PANELS



965-1, 966-1, 967-1, 967-7



965, 966, 967, 967-6
(Louvers may differ from picture)
Louvered panels accept 20x20x1" filter
(field supplied)

IAQ PANELS



965-M8 (accepts 1-20x30x1 filter)
966-M8, 967-M8 (accepts 2-20x20x1 filter)
967-6-M8 (accepts 2-20x25x1 filter)
(GlasFloss © Industries Series
HV filter or equivalent is recommended)

Enclosures with Ceiling Panels

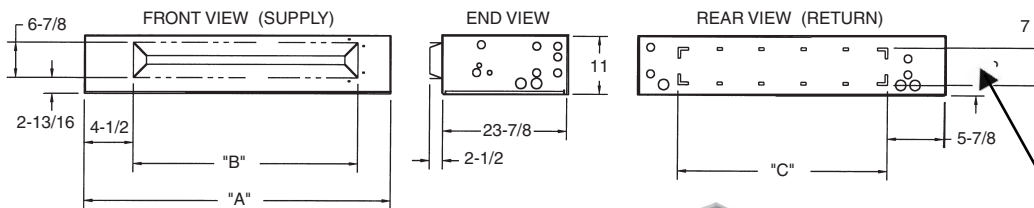
(Enclosures and panels are standard with ALL "-C" models or can be ordered separately as a knockdown kit for "HX" models)

CEILING PANEL / ENCLOSURE INFORMATION											
FOR MODEL	ENCLOSURE NO.	ENCLOSURE DIMENSIONS			PANEL NO. (STD.)	PANEL NO. (IAQ)	DESCRIPTION (2)	CEILING PANEL OPENING		PANEL FRAME DIMS (OUTSIDE)	
		H	W	D				W	L	W	L
18, 19, 24HX	9EHX01	11	39-3/4	23-7/8	965	965-M8	LOUVERED	24-1/2	40	27-1/2	43
					965-1	NA	NON-LOUVERED	24-1/2	40	27-1/2	43
20, 25, 30HX	9EHX02	11	45-3/4	23-7/8	966	966-M8	LOUVERED	24-1/2	46	27-1/2	49
					966-1	NA	NON-LOUVERED	24-1/2	46	27-1/2	49
26, 31, 36HX	9EHX03	11	51-3/4	23-7/8	967	967-M8	LOUVERED	24-1/2	52-1/2	27-1/2	55-1/2
					967-1	NA	NON-LOUVERED	24-1/2	52-1/2	27-1/2	55-1/2
32, 37HX	9EHX04	11	58-3/4	23-7/8	967-6	967-6-M8	LOUVERED	24-1/2	60	27-1/2	63
					967-7	NA	NON-LOUVERED	24-1/2	60	27-1/2	63

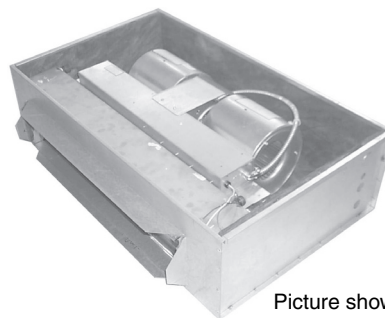
(See Panel Pictures Above)

NOTES:

- These enclosures are shipped "Knocked Down" and must be field assembled.
- Louvered is the "default" style and automatically shipped unless non-louvered is specified on order.



ENCLOSURE DIMENSIONS				
FOR MODEL	ENCLOSURE NO.	A	B	C
18, 19, 24HX	9EHX01	39-3/4	30-5/8	28
20, 25, 30HX	9EHX02	45-3/4	36-5/8	34
26, 31, 36HX	9EHX03	51-3/4	42-5/8	40
32, 37HX	9EHX04	58-3/4	50	46-3/4



KNOCKOUT FOR DUCTED RETURN
(Requires remote filter grille - field supplied)
(Ducted return requires non-louvered panel)

Picture shown is enclosure with installed HX
(Available from the factory as a complete unit)

HX(-C) Series

1-1/2 through 3 tons

MODEL NUMBERS:

MODEL SIZE (BTU)	UNCASED (NO ENCLOSURE)		FACTORY INSTALLED ENCLOSURE	
	MODEL (PISTON)	MODEL (R410 TXV)	MODEL (PISTON)	MODEL (R410 TXV)
18,000	18HX(*)	18HX(*) R410 TXV	18HX(*)-C	18HX(*)-C R410 TXV
18,000	19HX(*)	19HX(*) R410 TXV	19HX(*)-C	19HX(*)-C R410 TXV
18,000	20HX(*)	20HX(*) R410 TXV	20HX(*)-C	20HX(*)-C R410 TXV
24,000	24HX(*)	24HX(*) R410 TXV	24HX(*)-C	24HX(*)-C R410 TXV
24,000	25HX(*)	25HX(*) R410 TXV	25HX(*)-C	25HX(*)-C R410 TXV
24,000	26HX(*)	26HX(*) R410 TXV	26HX(*)-C	26HX(*)-C R410 TXV
30,000	30HX(*)	30HX(*) R410 TXV	30HX(*)-C	30HX(*)-C R410 TXV
30,000	31HX(*)	31HX(*) R410 TXV	31HX(*)-C	31HX(*)-C R410 TXV
30,000	32HX(*)	32HX(*) R410 TXV	32HX(*)-C	32HX(*)-C R410 TXV
36,000	36HX(*)	36HX(*) R410A TXV	36HX(*)-C	36HX(*)-C R410 TXV
36,000	37HX(*)	37HX(*) R410 TXV	37HX(*)-C	37HX(*)-C R410 TXV

All TXV's are approved for cooling only or heat pump operation (non-bleed type).

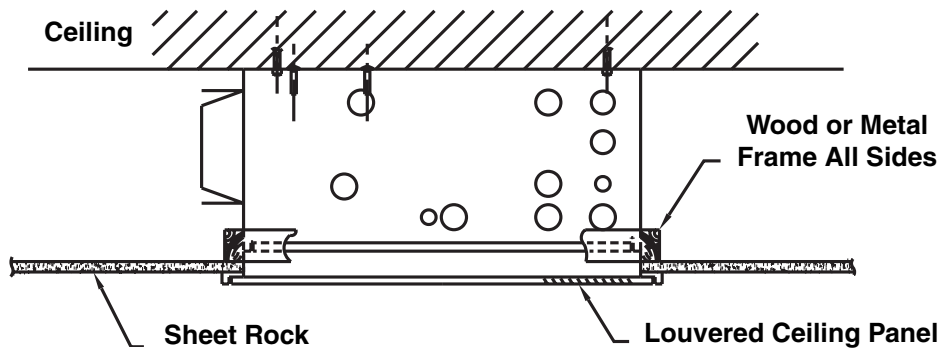
(*) = kW HEAT

NOTE:

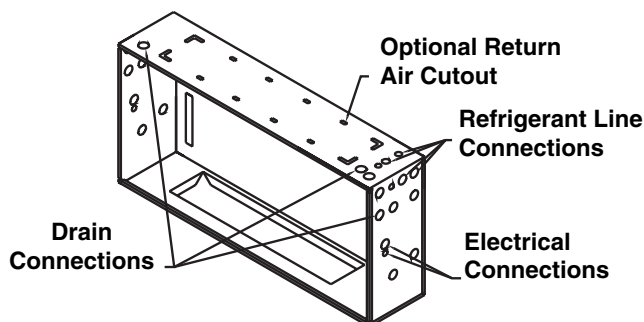
Expansion valve requirement depends on the selected outdoor unit.

Go to: www.firstco.com or contact the factory for assistance.

ENCLOSURE INSTALLATION SUPPORT FRAMING



ENCLOSURE CONNECTION LOCATIONS



CAP KIT - FOR INSTALLATION ABOVE A SUSPENDED CEILING		
PART NO.	FITS ENCLOSURE NO.	FOR UNIT MODEL
9PHX01	9EHX01	18, 19, 24HX-C
9PHX02	9EHX02	20, 25, 30HX-C
9PHX03	9EHX03	26, 31, 36HX-C
9PHX04	9EHX04	32, 37HX-C

NOTES:

1. Cap kit is an insulated panel that covers the entire bottom opening of the enclosure (requires ducted return)
2. Cap kit would be used in lieu of the ceiling panel