

ULTRA-ZONE[®]

Round Dampers

URD

Engineered for Quality and Efficiency

Nylon door shaft notched to indicate door position. Nylon provides a thermal barrier to reduce condensation.



Male crimped end on all round dampers for ease of installation.

Integrated door seal provides 97% shut-off on systems up to 1" W.C. Also eliminates loose gasket material.

Flexible door edge allows for minor out-of-round dampers to operate smoothly.

MOTOR SPECS

- 18 in.-lb torque / 4X stronger than any other zone damper
- C/UL listed
- 24 volt, class 2 NEMA Certified
- "Halomo" brushless ECM motor technology
- 40 seconds open/close



Optional end switch easily connects to the motor for additional interface.

Excellence Without Compromise

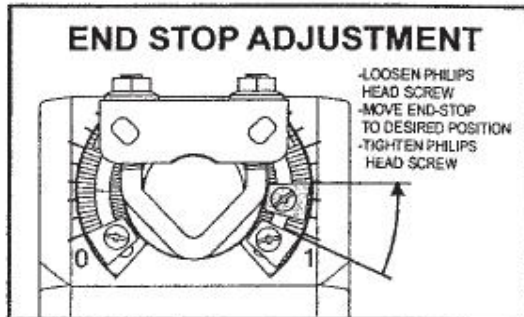
EWC[®]

CONTROLS INC.

MODEL URD

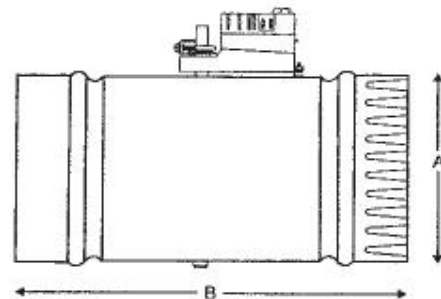
Round Dampers

The URD series of round motorized dampers are a double layered blade design with an integrated cellular foam sealing gasket. The superior design insures long life and no maintenance. URD dampers are easy to install, easy to wire up, and come with a 5 year warranty. The URD damper is constructed of heavy gauge galvanized steel. The nylon bearings and drive shafts insure smooth, quiet operation and provides a thermal barrier to the motor. It is designed to operate at static pressures up to 1" w.c. @ < 3% leakage. The UL Listed Motor Actuator is a 24vac 3 wire power open / power close type rated at 18" lbs. of torque. It includes an integrated terminal block, and NEMA1 rated housing. The MAND5 motor features bright Green and Red LED's which correspond to the OPEN and CLOSED position of the blade. The motor also includes End Stops for Min/Max position capability to allow adjustment of the design CFM flow into a particular zone or area (See figure below). The Position LED's will illuminate regardless of the Min/Max settings. A positional arrow is also included that provides visual indication of blade travel.



NOMINAL DIMENSIONS

MODEL #	A	B
URD - 4	4.00"	10.00"
URD - 5	5.00"	10.00"
URD - 6	6.00"	12.00"
URD - 7	7.00"	12.00"
URD - 8	8.00"	12.00"
URD - 9	9.00"	12.00"
URD - 10	10.00"	12.00"
URD - 12	12.00"	14.00"
URD - 14	14.00"	16.00"
URD - 16	16.00"	20.00"
URD - 18	20.00"	22.00"
URD - 20	22.00"	24.00"



Engineering assistance only a phone call away

Excellence Without Compromise
EWC
CONTROLS INC.

ULTRA-ZONE™
COMFORT CONTROL SYSTEMS

385 Highway 33 Englishtown, NJ 07726

Telephone: 800-446-3110

Fax: 732-446-5362

www.ewcontrols.com

© copyright 2006 EWC Controls Form URD102