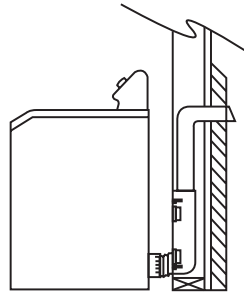
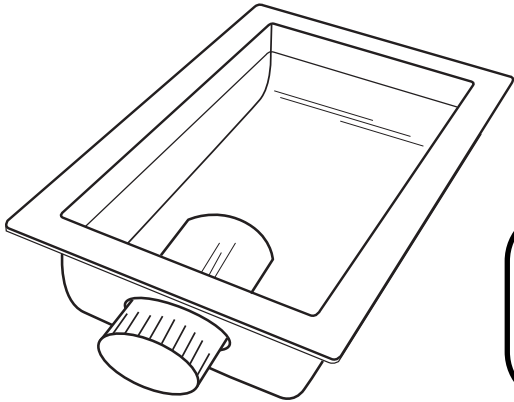


## Dryer Venting Box with Aluminum Connector



### IMPORTANT

Aluminum duct connector meets code for fire resistant installation.

Plastic dryer venting box meets UL standard 94 HB tests for flammability.

Model No.	Description
DVBOX	Dryer Venting Box with Aluminum Connector

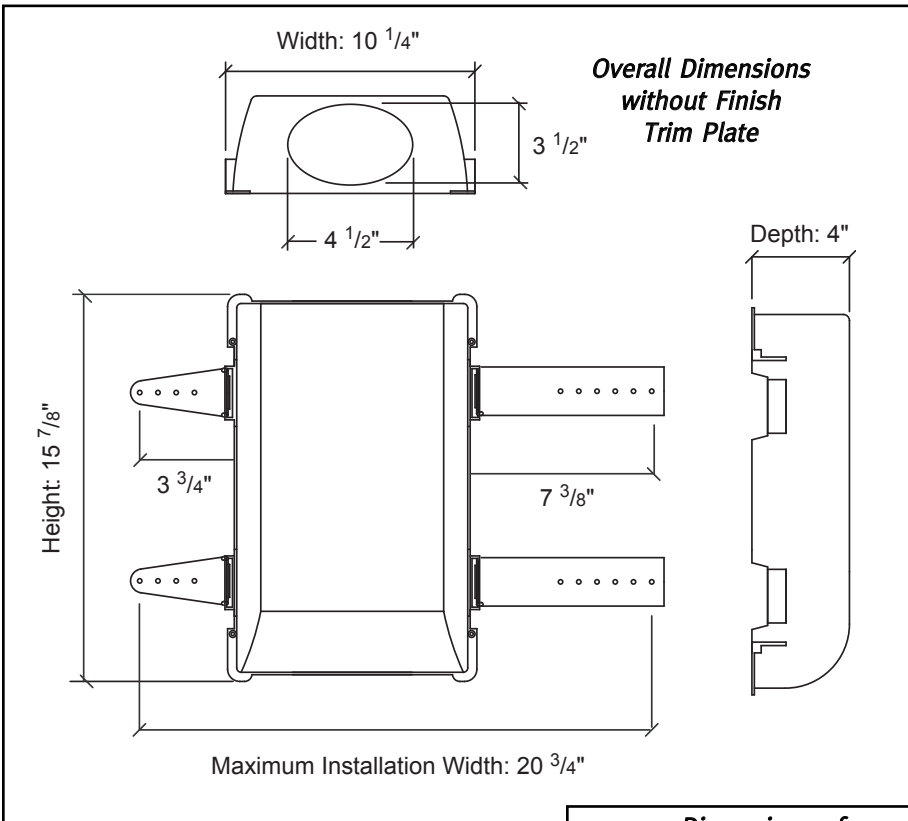
### Performance Data

#### Materials

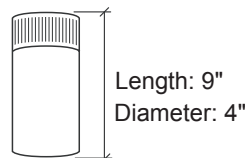
- for plastic dryer venting box
  - high impact polystyrene
  - meets UL Standard 94 HB tests for flammability
- for aluminum duct connector
  - Aluminum 3000 series

### General Information

- saves space
  - recessed design for placement behind drywall
  - allows dryer to sit 4-6" closer to wall
- improves dryer efficiency
  - ensures a direct path between dryer and vent resulting in better air flow, reduced energy bills
- reduces fire hazard
  - no more kinks that result in lint build-up which can lead to fires
- ensures clean appearance
  - eliminates exposed drywall cuts
- installs easily
  - regardless of distance between studs, the mounting straps may be adjusted to ensure a stable, permanent installation
  - mounts in up or down position



### Dimensions of Aluminum Connector



### Dimensions of Finish Trim Plate

