



Pro-Set[®] 2 VALVE MANIFOLD

The Workingman's Choice[™]

FOR USE BY PROFESSIONALS ONLY. ONLY QUALIFIED SERVICE PERSONNEL SHOULD OPERATE THIS UNIT. MOST STATES, COUNTRIES MAY REQUIRE THE USER TO BE LICENSED. PLEASE CHECK WITH YOUR LOCAL GOVERNMENT AGENCY BEFORE USE.

Danger - Avoid breathing refrigerant vapors and lubricant vapor or mist. Breathing high concentration levels may cause heart arrhythmia, loss of consciousness, or even cause suffocation. Exposure may irritate eyes, nose, throat, and skin. Please read the manufacturers Material Safety Data Sheet for further safety information on refrigerants and lubricants.

Danger - EXPLOSION RISK. Use extreme caution when working with flammable refrigerants. Never use this manifold with Oxygen.

Danger - EXPLOSION / RUPTURE RISK. DO NOT use this manifold with unregulated nitrogen, carbon dioxide or other very high pressure gasses. Unregulated gasses can cause components in a refrigeration system to rupture. Severe Injury or Death can occur.

Caution - All hoses may contain liquid refrigerant under pressure. Contact with refrigerant may cause frostbite or other related injuries. Wear proper personal protective equipment such as safety goggles and gloves. When disconnecting any hose, please use extreme caution.

(Follow all manufacturer's recommended procedures and instructions regarding refrigerant charge, oil change and service routines).

The various service and testing procedures below can be performed after the manifold gauge set has been installed as shown in the adjacent diagrams.

Check system pressure:

1. Close low side (vapor) valve (A)
2. Close high side (liquid) valve (B)
3. Crack open the back seat of the high side valve (D) of system
4. Crack open the back seat of the suction side valve (E) of system

Charge vapor refrigerant into running system:

1. Connect vapor side of refrigerant cylinder to center port (C)
2. Close high side valve (B)
3. Open low side valve (A)
4. Close the front seat of suction valve (E)

Charge liquid refrigerant into high side:

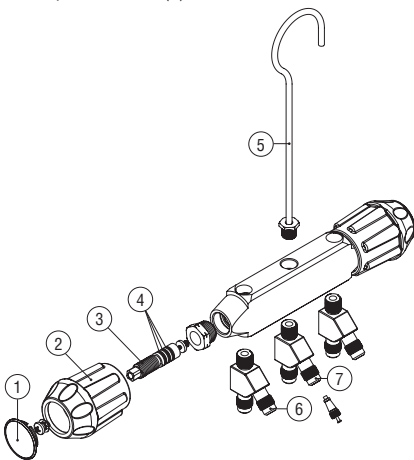
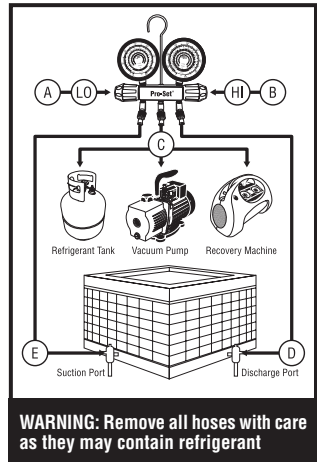
1. Connect liquid side of refrigerant cylinder to center port (C)
2. Close low side valve (A)
3. Open high side valve (B)
4. Mid-position valve (D)
5. Mid-position valve (E)

Recover refrigerant:

1. Connect recovery unit to center port (C)
2. Open low side valve (A)
3. Open high side valve (B)
4. Mid-position valve (D)
5. Mid-position valve (E)

Pull vacuum:

1. Connect vacuum pump to center port (C)
2. Use TLVCS valve core tool to remove cores for faster vacuum.
3. Open low side valve (A)
4. Open high side valve (B)
5. Mid-position valve (D)
6. Mid-position valve (E)



**Service Diagram & Parts List:
Pro-Set Workingman's 2 Valve Manifold**

Item No.	Part No.	Description	Qty.
1	MXPKWC	End cap and label for valve handle	2
2	MXPKW	Valve handle, end-cap, screw & label	1
3	MXPV	Complete piston assembly for Triple-Seal	1
4	MXPVO	O-rings for Triple-Seal piston valve	6
5	MXMH	Hanging Hook	1
6	MX45TD	1/8" MPT x 1/4" M x 1/4" M 45° Dummy	1
7	MX45TC	1/8" MPT x 1/4" M x 1/4" M 45° w / Core	1
8	MXC2	Protective storage / transport carrying case	1