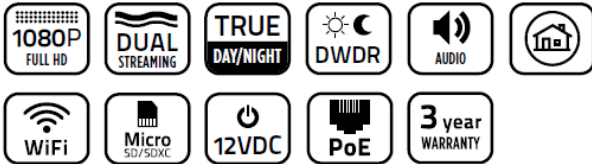


Côr™ Home Automation RS-3230 UltraSync™ 1080p IP Wi-Fi® Desktop IR Camera



Product Data



OVERVIEW

The UltraSync Wi-Fi® desktop IR camera brings state-of-the-art, high-definition images to the residential security and Home Automation segment. This camera offers live video and clip recording, which can be triggered by an intrusion event and managed through the Côr mobile app.

This Wi-Fi desktop IR camera is based on the Wi-Fi standards of IEEE802.11b/g/n and operates in the 2.4GHz range. Transmission rates of up to 150Mbps are supported, and secure wireless communication is achieved via 64/128-bit WEP, WPA/WPA2, WPA-PSK/WPA2-PSK, and WPS wireless encryption standards.

Onboard storage, via micro SD card, adds recorded clips without the need for NVRs or cloud storage. The desktop camera is designed specifically for indoor residential applications and can be mounted on a tabletop, ceiling or wall, using the included magnetic stand or hardware.

STANDARD FEATURES

Video

- 1080p resolution
- H.264 compression technology with dual-streaming capability accommodates multiple settings
- Compatible with Côr Home Automation

Video Enhancement

- Real-time video streaming up to 1080p resolution to capture every detail
- True day/night functionality and infrared illuminator for capturing images in various lighting scenarios
- Up to 33 ft. (10m) IR range – with on/off settings

Video Alarms (utilizing hardwired outputs)

- Motion Detection, Tamper Proof and Privacy Masking
- Advanced cross-line and intrusion detection

Recorded Clips

- Recorded clips stored onboard using a micro SD/SDXC card (up to 128GB). 16GB card included

Wireless (Wi-Fi)

- Supports IEEE802.11b/g/n Wi-Fi standards
- Frequency range 2.4Ghz
- Encryption security support for 64/128-bit WEP, WPA/WPA2, WPA-PSK/WPA2-PSK, WPS wireless encryption standards



Environment and Installation

- FCC, CE and UL
- Fast and simple integration into Côr Smart Home app using camera scan feature

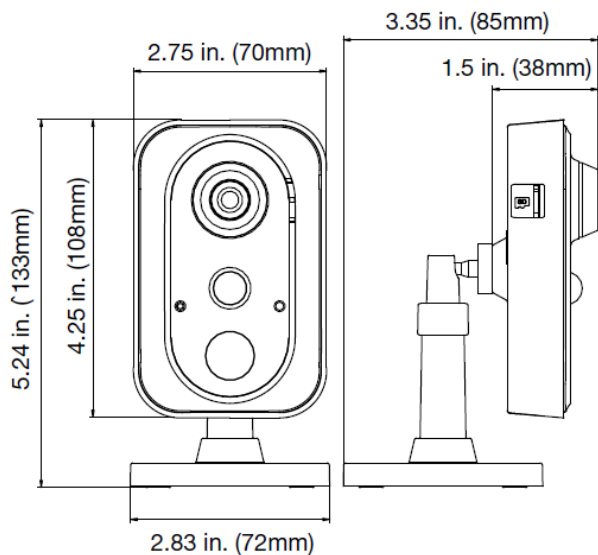
Warranty

- 3-year warrant

ORDERING INFORMATION

RS-3230	1080p, NTSC/PAL, Wi-Fi, Indoor desktop, White, True D/N, H.264, PSIA/ONVIF/CGI, Audio, 10M IR, 2.0MM at F2.0, POE/12VDC, US/UK/EU/AU Power supply and 16GB Micro SD card included.
---------	--

DIMENSIONAL DIAGRAM



SPECIFICATIONS

Part No.		RS-3230
Housing	Color	White
Camera	Sensor	1/2.8"
	Resolution	1080p
	Day/Night	IR cut filter with auto-switch
	IP Compression	H.264 (Main profile) / MJPEG
	Maximum Resolution (@ fps)	1920 x 1080 @ 30fps (60Hz), 1920 x 1080 @ 25 fps (50Hz)
	Maximum Real-time Resolution (@ fps)	1920 x 1080 @ 30fps (60Hz), 1920 x 1080 @ 25 fps (50Hz)
	Multiple Streaming	Support dual streams, and sub-stream for mobile surveillance with H.264 and MJPEG with resolution up to 4CIF
	Video Bit Rate Mainstream	32 Kbps to 8 Mbps
	Video Bit Rate Substream	32 Kbps to 8 Mbps
	WDR	DWDR (85dB)
	Digital Noise Reduction	3D-NR
	Sensitivity	0.01 lux @ (f1.2, AGC On), 0 lux @ (IR On)
	S/N Ratio	50 dB (AGC Off)
	Auto Exposure (shutter)	60 Hz: 1/3s ~ 1/100,000s, 50 Hz: 1/3s ~ 1/100,000
	Lens	2.0mm @f2.0
	Focus	Fixed
	IR Range	Non-visible IR LED with 10 meters
IR Wavelength	850nm	
Standards and Integrations		Compatible with Cór Home Automation products
Network	Network Protocols	TCP/IP, HTTP, DHCP, DNS, DDNS, RTP, RTSP, SMTP, NTP, UPnP, HTTPS, FTP, Qos, IPv6. Interoperability ONVIF (Profile G/S), PSIA (latest version), CGI, ISAPI
	Ethernet Port	RJ45 10/100Mbps Auto-negotiate
Wireless	Wi-Fi Standards	IEEE802.11b, 802.11g, 802.11n
	Frequency Range	2.4 GHz ~ 2.4835 GHz (Ch. 1 ~ 11)
	Channel Bandwidth	20/40MHz Support
	Protocols	802.11b: CCK, QPSK, BPSK; 802.11g/n: OFDM
	Transmit Output Power	11b: 17±1.5dBm @ 11Mbps; 11g: 15±1.5dBm @ 54Mbps; 11n: 14±1.5dBm
	Transfer Rates	11b: -90dBm @ 11Mbps (Typical); 11g: -75dBm @ 54Mbps (Typical); 11n: -74dBm (Typical)
	Wi-Fi Range	~ 164 ft. (50m) in direct line-of-sight applications
Security	64/128-bit WEP, WPA/WPA2, WPA-PSK/WPA2-PSK, WPS	
Local Storage	Media	Micro SD/SDXC (16GB card included)
	Capacity	Up to 128GB
Audio	Input	Built-in
	Output	Built-in
	Audio Bit Rate (Protocol)	64 Kbps (G.711) / 16 Kbps (G.726) / 32-128 Kbps (MP2L2)
Camera Alarms	Basic	Motion Detection, Tamper Proof, Privacy Masking
	Advanced	Cross Line, Intrusion Detection
	I/O Connection	Alarm I/O
Display	Display Mode	Flipped horizontally (up/down), vertically (right/left) or centered, Hallway view, ROI (Region of Interest)
	On Screen Display (OSD)	Text overlay
Electrical & Mechanical	Voltage	12VDC, PoE (IEEE 802.3-af), power supply included
	Current	370mA (Max.)
	Power Consumption	4.5W (Max.)
	Dimensions (W x H x D)	4.25 x 2.75 x 1.5 in. (108 x 70 x 38mm)
	Weight	0.5 lbs. (213g)
Envir.	Storage Temperature	-4°~158°F (-20°~70°C)
	Operating Temperature	-4°~140°F (-20°~60°C)
Reg.	Compliance	R&TTE, FCC, CE, UL, RCM, REACH, RoHS, WEEE