

THE UNIT MODELS LISTED BELOW WERE ANALYZED TO MEET THE REQUIREMENTS OF THE FLORIDA BUILDING CODE 5TH EDITION (2014) AND THE ASCE 7-10 WIND ANALYSIS CODE. THE UNITS AND CONNECTIONS WERE ANALYZED FOR 186 MPH WIND SPEED AT 60 FEET ABOVE GROUND FOR CATEGORY III AND IV STRUCTURES.

Carrier Model Number		38MGQF36---3		38MGQF48---3	
Bryant Model Number		538TEQ036RFMA		538TEQ048RFMA	
ICP Model Number		N/A		N/A	
System Size		36k		48k	
Voltage		(208-230 V)		(208-230 V)	
Outdoor Unit	Dimensions				
	Height	in (mm)	31.89(810)	36.93(1369)	
	Width	in (mm)	37.20(945)	53.9(938)	
	Depth	in (mm)	15.55(395)	15.43(392)	
	Weight-Net		158.72(72)	227.72(103.3)	
	Weight - Gross	lbs (kg)	169.75(77)	255.50(115.9)	

Carrier Model Number		38MBQB48---3	
Bryant Model Number		538TEQ048RFMA	
ICP Model Number		N/A	
System Size		48K	
System Voltage		208-230V	
Dimensions			
Outdoor Unit	Height	in(mm)	53.90(1369)
	Width	in(mm)	36.93(938)
	Depth	in(mm)	15.43(392)
	Weight-Gross		251(114)
	Weight-Net	lbs(kg)	220(100)

Carrier Model Number		38GJQG36---3	38GJQG42---3	38GJQK48---3	38GJQL56---3
Bryant Model Number		538KEQ036RGGGA	538KEQ042RGGGA	538KEQ048RKGA	538KEQ056RLGA
ICP Model Number		DLCBHR36K1A	DLCBHR42K1A	DLCBHR48K1A	DLCBHR56K1A
System size		36	42	48	56
Voltage		208-230/1/60	208-230/1/60	208-230/1/60	208-230/1/60
Outdoor unit	Dimensions				
	Height (H)	in	43.4	43.4	53
	Width (W)	in	42.8	42.8	35.4
	Depth (D)	in	17.3	17.3	13.4
	Weight-Net	lbs	198.4	198.4	255.7
	Weight-Gross	lbs	216.1	216.1	282.2

Carrier Model Number		38WAH036---3	38WAH048---3
Bryant Model Number		38WAH036---3	38WAH048---3
ICP Model Number		N/A	N/A
System size			
Voltage		208-230/1/60	208-230/1/60
Outdoor unit	Dimensions		
	Height (H)	in	52.25
	Width (W)	in	35.5
	Depth (D)	in	15.75
	Weight-Net	lbs	209
	Weight-Gross	lbs	234

Robert E. Samara
8/26/15

S-1

CARRIER, BRYANT AND ICP DUCTLESS SPLIT SYSTEMS 36 TO 56 K

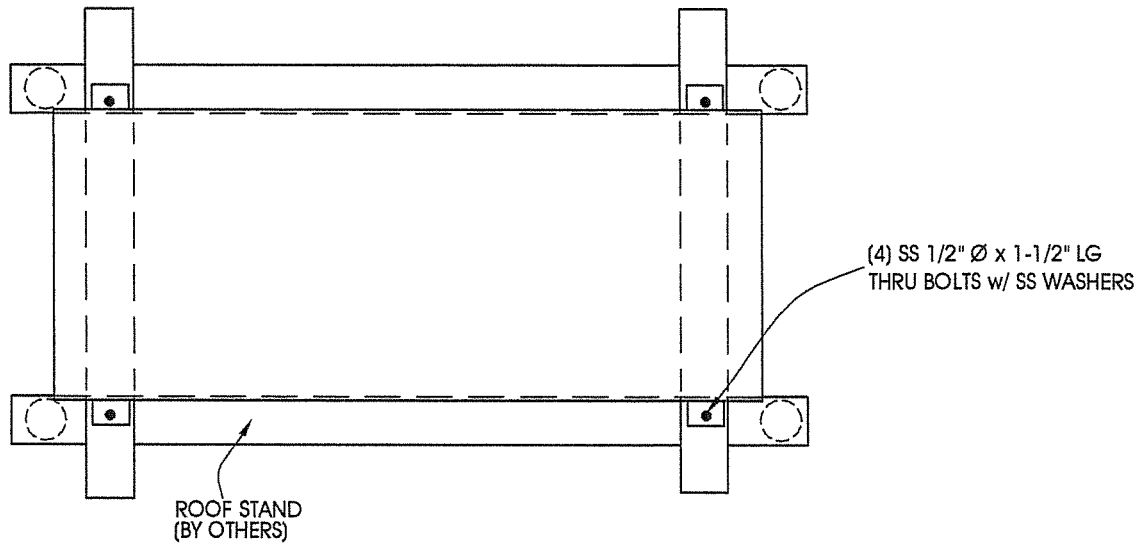
Job No: 15-22
Date: 08-13-2015

MODELS LIST



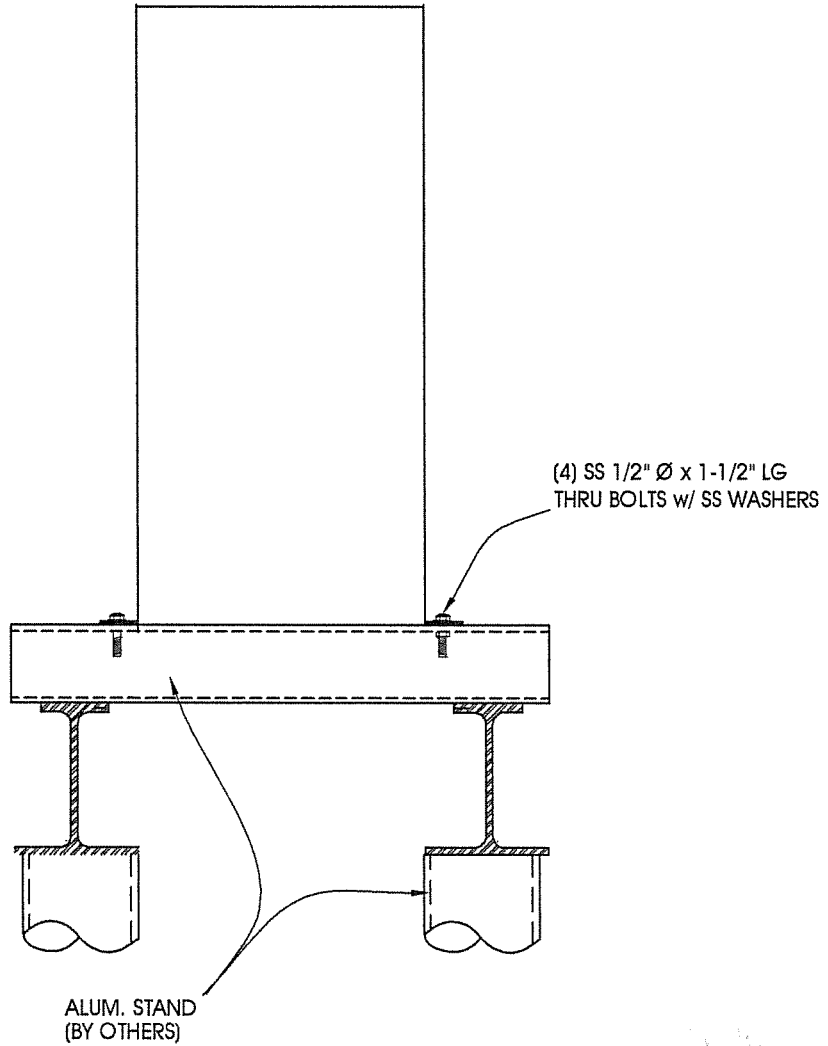
ROBERT E. SAMARA P.E., P.A.
email: samara@ppsenginc.com
Consulting Engineers
Structural PE # 19649

4675 PONCE de LEON BLVD, #303
CORAL GABLES, FL 33146
Ph: 305-662-1916 Fax: 305-662-2491



ROOF STAND
(BY OTHERS)

(4) SS 1/2" \varnothing x 1-1/2" LG
THRU BOLTS w/ SS WASHERS



(4) SS 1/2" \varnothing x 1-1/2" LG
THRU BOLTS w/ SS WASHERS

ALUM. STAND
(BY OTHERS)

ROOF STAND DETAIL

Robert E. Samara
8/26/15

S-7

**CARRIER, BRYANT AND ICP
DUCTLESS SPLIT SYSTEMS 36 TO 56 K**

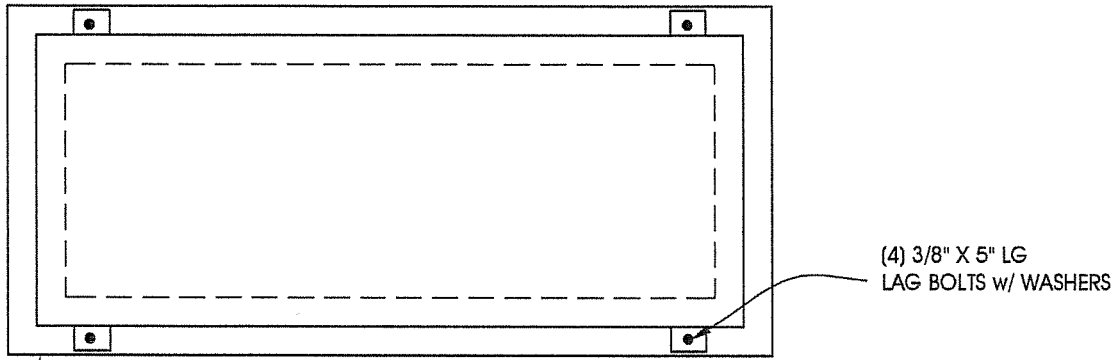
Job No: 15-22
Date: 08-13-2015

ROOF STAND ATTACHMENT LOCATION PLAN



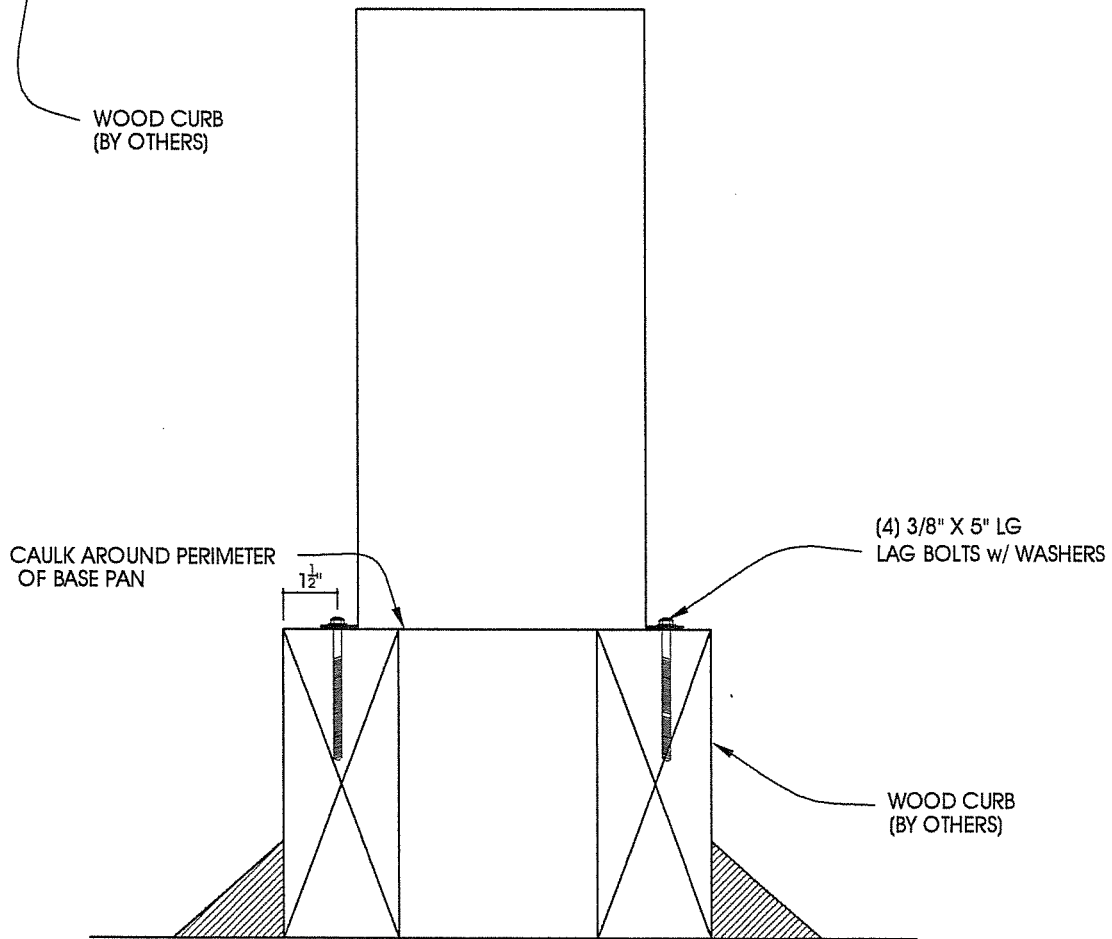
ROBERT E. SAMARA P.E., P.A.
email: samara@ppeenginc.com
Consulting Engineers
Structural PE # 19649

4675 PONCE de LEON BLVD, #303
CORAL GABLES, FL 33146
Ph: 305-662-1916 Fax: 305-662-2491



WOOD CURB
(BY OTHERS)

(4) 3/8" X 5" LG
LAG BOLTS w/ WASHERS



CAULK AROUND PERIMETER
OF BASE PAN

1/2"

(4) 3/8" X 5" LG
LAG BOLTS w/ WASHERS

WOOD CURB
(BY OTHERS)

WOOD CURB DETAIL

ROBERT E. SAMARA
LICENSED PROFESSIONAL ENGINEER
FLORIDA
8/26/15

S-8

CARRIER, BRYANT AND ICP
DUCTLESS SPLIT SYSTEMS 36 TO 56 K

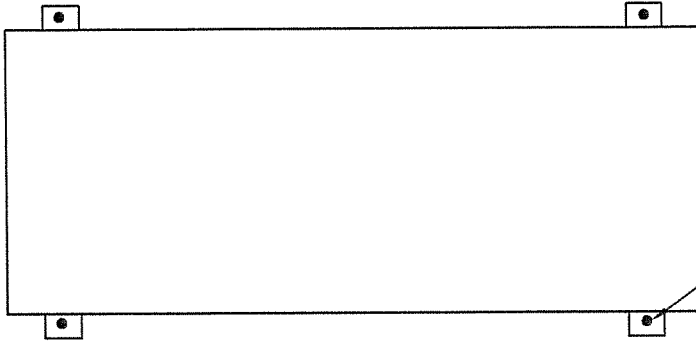
Job No: 15-22
Date: 08-13-2015

WOOD CURB ATTACHMENT LOCATION PLAN

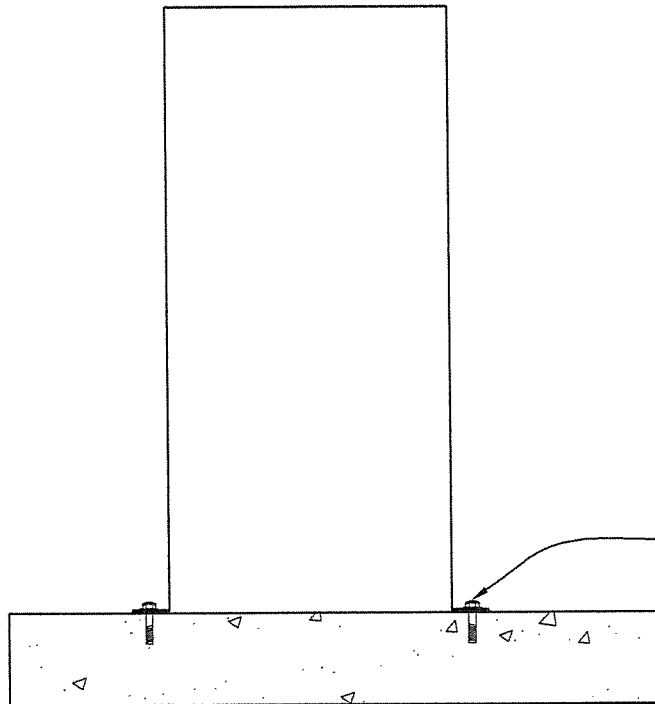


ROBERT E. SAMARA P.E., P.A.
email: samara@ppsenginc.com
Consulting Engineers
Structural PE # 19649

4675 PONCE de LEON BLVD, #303
CORAL GABLES, FL 33146
Ph: 305-662-1916 Fax: 305-662-2491



(4) SS 3/8" Ø x 4" LG
 POWERS WEDGE BOLT
 HEAVY DUTY ANCHORS
 OR EQUAL.



(4) SS 3/8" Ø x 4" LG
 POWERS WEDGE BOLT
 HEAVY DUTY ANCHORS
 OR EQUAL.

CONCRETE DETAIL

Robert E. Samara
 8/26/15

S-9

CARRIER, BRYANT AND ICP
 DUCTLESS SPLIT SYSTEMS 36 TO 56 K

Job No: 15-22
 Date: 08-13-2015

CONCRETE ATTACHMENT LOCATION PLAN



ROBERT E. SAMARA P.E., P.A.
 email: samara@ppsenginc.com
 Consulting Engineers
 Structural PE # 19649

4675 PONCE de LEON BLVD. #303
 CORAL GABLES, FL 33146
 Ph: 305-662-1916 Fax: 305-662-2491