

EVALUATION SUBJECT: **BRYANT SPLIT UNITS****TER-16-3190.5**

Florida Building Code Sixth Edition (2017)

REPORT HOLDER:BRYANT HEATING AND COOLING
2000 PARKS OAKS AVE
ORLANDO, FL 33428 USA
(954) 247-2003 | FL. WWW.BRYANT.COM**SCOPE OF EVALUATION (compliance with the following codes):****THIS IS A STRUCTURAL (WIND) PERFORMANCE EVALUATION ONLY. NO ELECTRICAL OR TEMPERATURE PERFORMANCE RATINGS OR CERTIFICATIONS ARE OFFERED OR IMPLIED HEREIN.**This Product Evaluation Report is being issued in accordance with the requirements of the **Florida Building Code Sixth Edition (2017)** per FBC Section 104.11, FMC 301.15, FBC Building Ch. 16, ASCE-7-10, FBC Existing Building sections 707.1, 707.2, FBC Building 1522.2, and FBC Residential M1202.1, M1301.1, FS 471.025, including Broward County Administrative Provisions 107.3.4. The product noted on this report has been tested and/or evaluated as summarized herein.**IN ACCORDANCE WITH THESE CODES EACH OF THESE REPORTS MUST BEAR THE ORIGINAL SIGNATURE & RAISED SEAL OF THE EVALUATING ENGINEER.****NOTE: GRAPHICAL DEPICTIONS IN THIS REPORT ARE FOR ILLUSTRATIVE PURPOSES ONLY. ACTUAL UNITS MAY DIFFER SLIGHTLY IN APPEARANCE.****UNIT CASING MATERIAL:**

0.86mm galvanized sheet steel ASTM A653 EDDS cold rolled steel for removable top panel. 1.14mm galvanized sheet steel ASTM A653 EDDS cold rolled steel for base pan. 0.86mm galvanized steel sheet ASTM A653 for side protector louvers, secured with #10-16 sheet metal screws into top and base pan.

INSTALLATION:

Shall follow manufacturer specifications as well as the information provided herein.

STRUCTURAL PERFORMANCE:

Models referenced herein are subject to the following design limitations: ASCE7-10 Exposure Category C, Risk II

Up to and including 175mph (Vult) for up to 200' MRH**. HVHZ***

Up to and including 170mph (Vult) for up to 250' MRH**. HVHZ***

Up to and including 200mph (Vult) for up to 56' MRH**. Non-HVHZ***

Ground or Roof Application per installation instructions

Mean Roof Height *High Velocity Hurricane Zone

Maximum Rated Wind Pressure:**193psf Lateral, 93psf Uplift** (ASD)

Site specific wind analysis may produce alternate limitations provided maximum rated wind pressure is not exceeded.

Find this report and all the help you need at

EngineeringExpress.com/Carrier**SUBSTANTIATING DATA:****• Product Evaluation Documents**

Substantiating documentation has been submitted to support this TER and is summarized in the sections that follow.

• Structural Engineering Calculations

Structural engineering calculations have been prepared which evaluate the product based on comparative and/or rational analysis to qualify the following design criteria:

- Maximum allowable unit panel wind pressure connection integrity
- Maximum allowable uplift, sliding, & overturning moment for ground and roof applications

Calculation summary for this TER is provided in the forces summary table. No 33% increase in allowable stress has been used in the design of this product. Microsoft Excel was used to carry out the calculations present in this report.

INSTALLATION:

The product(s) listed in this report shall be installed in strict compliance with this TER & manufacturer-provided model specifications.

The product components shall be of the material specified in the manufacturer-provided product specifications. All screws must be installed in accordance with the applicable provisions & anchor manufacturer's published installation instructions.

LIMITATIONS & CONDITIONS OF USE:

Use of this product shall be in strict accordance with this TER as noted herein. See final page for complete limitations and conditions of use.

OPTIONS:

This evaluation is valid for all BRYANT models present in the table located on the final page.

FINISH:

Baked enamel.

ABOUT THIS DOCUMENT:

ENGINEER CERTIFIED ORIGINALS, VARIATIONS & HELP CAN BE FOUND BY VISITING THE WEB ADDRESS FOUND HERE BY VISITING THE WEB ADDRESS OR SCANNING THE QR CODE TO THE RIGHT >

VISIT ENGINEERINGEXPRESS.COM/STORE FOR MORE REPORTS

ecalc.io/1631905

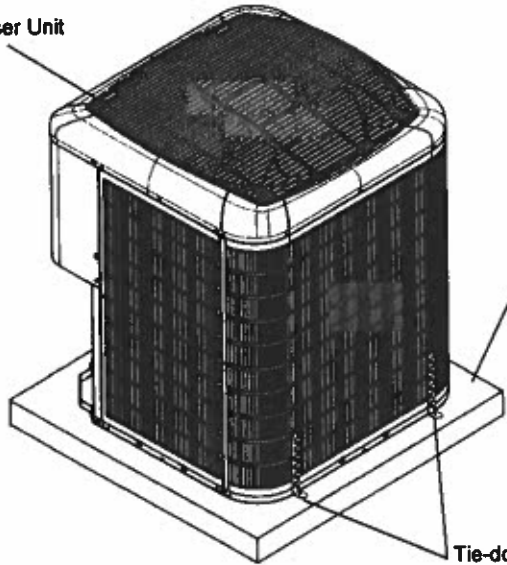
**ORIGINAL SIGNATURE AND RAISED SEAL
OR DIGITAL SEAL REQUIRED TO BE VALID PER CODE:**

December 9, 2019

Frank L. Bennardo, P.E., SECB Signed by If Checked:
ENGINEERING EXPRESS® Gordon DiBattisto, PE
FL PE #0046549 LCA #9885 FL PE #82328**NOTICE: IF THIS PAGE DOES NOT CONTAIN AN ORIGINAL SIGNATURE & ENGINEER SEAL:**
IF THERE IS A DIGITAL SIGNATURE ON PAGE 1, THIS DOCUMENT IS PART OF A DIGITALLY SIGNED FILE, SHALL REMAIN IN DIGITAL FORMAT. PRINTED COPIES OF THIS DOCUMENT ARE NOT CONSIDERED SIGNED AND SEALED. IF THERE IS NO DIGITAL SIGNATURE ON PAGE 1 OR THIS PAGE DOES NOT CONTAIN AN ENGINEER'S ORIGINAL SIGNATURE & SEAL, THIS

SECTION 2 PRODUCT INSTALLATION

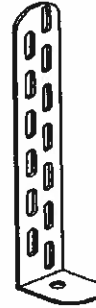
Condenser Unit



Roof or ground structure / substrate (concrete, steel, aluminum see schedule below)

Tie-down clips 1 or 2. See tables below for specifications

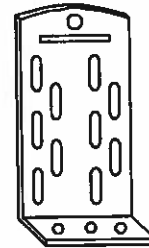
Note: Unit shown for illustration purposes only.



Note: Installers must ensure that screws used to fasten the tie-down clips with the unit base pan do not touch the coil in order to prevent any damage to the coil.

TIE-DOWN CLIP (1) (GROUND AND ROOF APPLICATION)

Miami Tech CUTD 1" wide ASTM A653 galvanized steel 0.07" thick of varying length (FL19731.2) or equivalent for all cabinets tied down to a roof structure or ground structure; fasten clip to structure using anchor from Anchor Schedule to Host Structure Table and (2) #10 SS 410 self-drilling screw to fasten clip to unit base pan. Install in unit with quantities shown in Tie-down Strap & Clip Schedule. Locate clips at 3" min away from the appropriate corner using four clips per side (two at each corner) and four clips opposite side in the same configuration. Miami Tech kit # CBCUTD4KG for ground & kit # CBCUTD4KR for roof application.



TIE-DOWN CLIP (2) (GROUND AND ROOF APPLICATION)

BMP Clips 2" wide ASTM A283 (Grade D) steel 0.113" thick of varying length for all cabinets tied down to a roof structure or ground structure or equivalent clips; fasten clip to structure using (2) anchor from Anchor Schedule to Host Structure Table and (4) #12 SAE Grade 5 sheet metal screw to fasten clip to unit base pan. Install in unit with quantities shown in Tie-down Strap & Clip Schedule. Locate clips at 3" from the appropriate corner. BMP part number TD-042.

TIE-DOWN STRAP & CLIP SCHEDULE

Cabinet ⁺	Ground or Roof Height*	Tie-down Strap on unit	Tie-down Clips (1)	Tie-down Clips (2)
Mini	Ground	NA	8	4
			8	4
Small	Up to 200' (250')	2	8	4
Medium			8	4
Large			8	4

*The value shown in parentheses indicates the allowable roof height in 170mph conditions. i.e. 60' (80') indicates an allowable roof height of 60' for 175mph or 80' for 170mph Vult.

+ See tables on last page for cabinet classification and model numbers.

Note: Straps shall be wrapped as shown in details on section 4. The straps shall be tightened to a snug fit around the unit. Straps shall be 1" width and 22ga galvanized metal. For Non-HVHZ, use (2) metal straps, up to 56" MRH. Values shown in table are minimum specified. Using stronger straps per each height is allowed at installer's discretion.

ANCHOR TO HOST STRUCTURE SCHEDULE

Cabinet ⁺	Ground or Roof Height*	Anchor Type		
		Concrete 3,000 Psi	1/8" Min A36 Steel	1/8" Min 6061-T6 Aluminum
Mini	Ground	A	NA	NA
Small	Up to 200' (250')	NA	B	B
Medium				
Large				

Tie-down Strap & Clip: (for roof applications)

- Minimum edge distance 3" from the unit corners.
- Use a minimum of tie-down straps per side equally spaced.
- Clip height shall be adequate to fit SMS within base pan height. Verify height on site.
- Place an adjacent (1) #10 SMS to avoid the straps slip off.

Anchor Types to Host Structure:

A. - 1/4" ELCO ULTRACON SS4 Anchor embedded 1 3/4" in 3,000 psi concrete. 2 1/2" from edge minimum. NOA No. 15-1205.05

B. - 1/4" -20 UNC SAE Grade 5 bolt min. 1/2" from edges with nut and washer OD 1"

NA. - No anchors apply.

IN ALL CONDITIONS IT IS THE RESPONSIBILITY OF THE PERMIT HOLDER TO ENSURE THE HOST STRUCTURE IS CAPABLE OF WITHSTANDING THE RATED GRAVITY, LATERAL, AND UPLIFT FORCES BY SITE-SPECIFIC DESIGN. NO WARRANTY OF ANY KIND, EXPRESSED OR IMPLIED, IS OFFERED BY ENGINEERING EXPRESS AS TO THE INTEGRITY OF THE HOST STRUCTURE TO CARRY DESIGN FORCE LOADS INCURRED BY THIS UNIT.

SECTION 3 SUPPORTING CALCULATIONS & SUMMARY

FORCES SUMMARY

Cabinet*	Ground or Roof Height*	Lateral Pressure (Psf)	Uplift Pressure (Psf)	Large Side Force (lbs)	Large Side Overturn (lbs-in)	Large Side Tension (lbs)	Short Side Force (lbs)	Short Side Overturn (lbs-in)	Short Side Tension (lbs)	Uplift Force (lbs)
Mini	Ground	44.1	0	272.0	5236.0	226.5	272.0	5236.0	226.5	0.0
	Up to 200' (250')	193.0	93.4	1191.0	26897.0	1163.1	1191.0	26897.0	1163.1	347.0
Small	Ground	44.1	0	235.8	3383.3	131.1	227.0	3257.0	121.5	0.0
	Up to 200' (250')	193.0	93.4	1030.9	14793.2	573.4	992.4	14241.3	531.4	421.6
Medium Large	Ground	44.1	0	498.0	11818.0	337.7	498.0	11818.0	337.7	0.0
	Up to 200' (250')	193.0	93.4	2225.0	66678.2	1905.1	2225.0	66678.2	1905.1	794.0

Calculations performed according to the information provided by the client. Cabinets were assumed solid (0% porosity) for shear and tension calculation purposes.

PANEL INTEGRITY SUMMARY

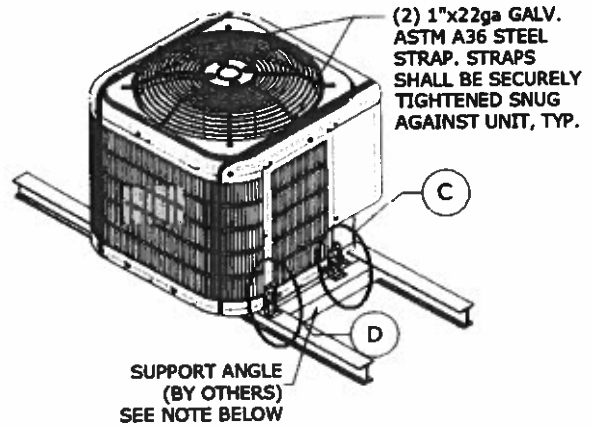
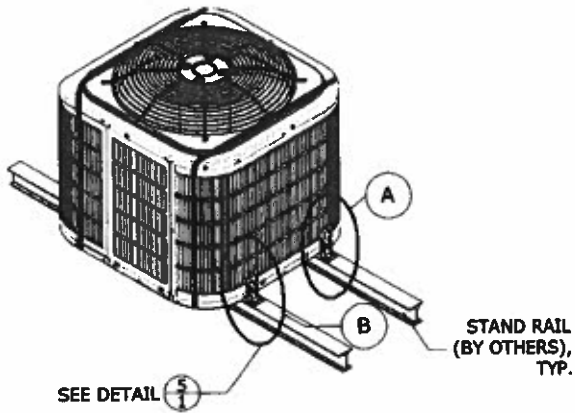
Cabinet*	Ground or Roof Height*	Panel Name	Required Wind Pressure (lb/ft ²)	Force on Panel (lbs)	Additional Screw Qty Needed (pcs)	Additional reinforcement required beyond original manufacturing
Mini	Ground	TOP PANEL	0.0	0.0	-	No
		LOUVER 1	44.1	240.1	-	
		LOUVER 2	44.1	178.3	-	
		CONTROL COVER	44.1	63.5	-	
	Up to 200' (250')	TOP PANEL	93.4	346.5	-	No
		LOUVER 1	193.0	1049.9	-	
		LOUVER 2	193.0	779.7	-	
		CONTROL COVER	193.0	277.4	-	
Small	Ground	TOP PANEL	0.0	0.0	-	No
		LOUVER 1	44.1	235.3	-	
		LOUVER 2	44.1	197.9	-	
		LOUVER 3	44.1	184.7	-	
	Up to 200' (250')	TOP PANEL	93.4	421.6	0	Yes
		LOUVER 1	193.0	1029.0	2	
		LOUVER 2	193.0	865.5	2	
		CONTROL COVER	193.0	277.4	0	
Medium Large	Ground	TOP PANEL	0.0	0.0	-	No
		LOUVER 1	44.1	436.6	-	
		LOUVER 2	44.1	362.7	-	
		LOUVER 3	44.1	212.6	-	
		LOUVER 4	44.1	243.9	-	
		CONTROL COVER	44.1	63.5	-	
	Up to 200' (250')	TOP PANEL	93.4	794.5	0	Yes
		LOUVER 1	193.0	1909.0	2	
		LOUVER 2	193.0	1585.8	2	
		LOUVER 3	193.0	929.6	3	
		LOUVER 4	193.0	1066.3	3	
		CONTROL COVER	193.0	277.4	0	

*The value shown in parentheses indicates the allowable roof height in 170mph conditions. i.e. 60' (80') indicates an allowable roof height of 80' for 175mph or 80' for 170mph Vult.

*See tables on last page for cabinet classification and model numbers.

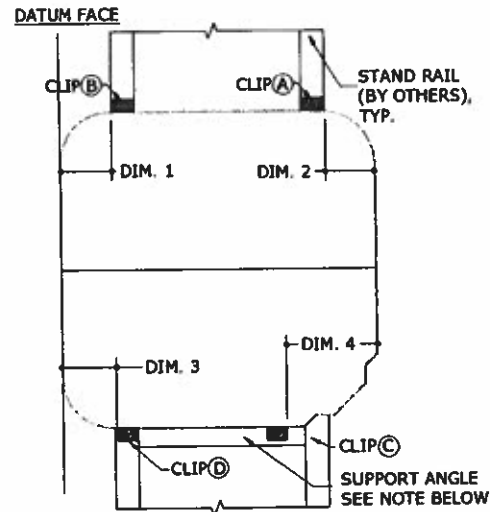
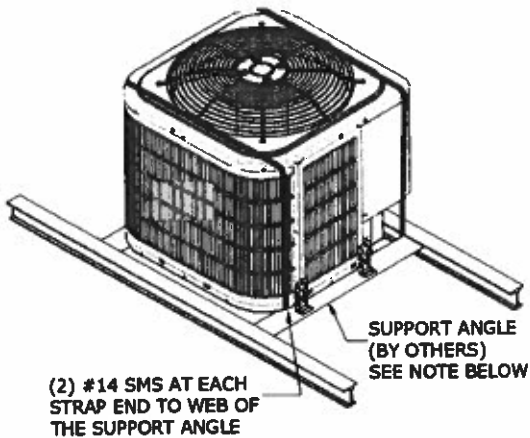
Note: any Louver panels *contained* by straps or clips shall *not* be reinforced, otherwise reinforce with #10 410 SS screws; amount of screws required are dictated by panel integrity table. Place screw at the bottom part of the louver, joining the louver with the base pan.

SECTION 4 DETAILS



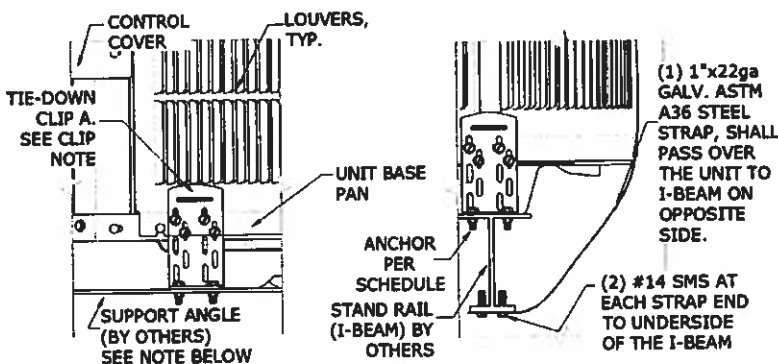
1 MECHANICAL UNIT
1 N.T.S. BACK ISOMETRIC

2 MECHANICAL UNIT
1 N.T.S. FRONT ISOMETRIC



3 MECHANICAL UNIT
1 N.T.S. FRONT ISOMETRIC

4 TIE-DOWN CLIP LAYOUT
1 N.T.S. PLAN



TIE-DOWN CLIP OFFSETS:

DIM. 1	5.00" MAX OFFSET FROM DATUM FACE
DIM. 2	5.00" MAX OFFSET FROM OPPOSITE FACE
DIM. 3	5.00" MAX OFFSET FROM DATUM FACE
DIM. 4	10.00" MAX OFFSET FROM OPPOSITE FACE

5 TIE-DOWN CLIPS & STRAPS
1 N.T.S. ELEVATION VIEW

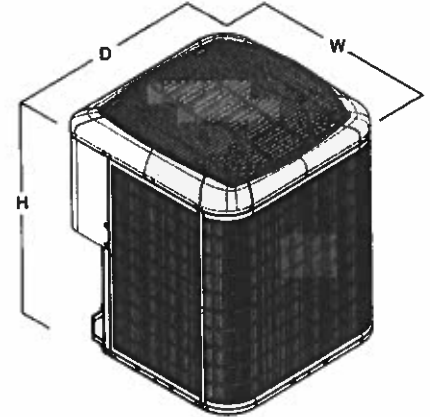
Note:

- Miami Tech support angle part number CBCAB30K, CBCAB42K, under NOA #16-0601.01 or equivalent is permitted.
- Louver panels that are not being contained by the straps or clips shall be reinforced with #10 410 SS screws, amount of screws required are dictated by panel integrity table. Place screw at the bottom part of the louver, joining the louver with the base pan.

CABINETS & DIMENSIONS

Cabinet	Unit Model	Width (in)	Depth (in)	Height (in)
Large	280A**024	35.00	35.00	44.00
Large	280A**036	35.00	35.00	44.00
Large	280A**048	35.00	35.00	44.00
Large	280A**060	35.00	35.00	44.00
Mini	288B**013	23.13	23.13	31.63
Mini	288B**024	23.13	23.13	31.63
Mini	288B**025	23.13	23.13	38.44
Mini	288B**036	23.13	23.13	31.63
Medium	288B**037	31.19	31.19	39.75
Medium	288B**048	31.19	31.19	38.44
Medium	288B**060	31.19	31.19	43.19
Large	289B**024	35.00	35.00	40.63
Large	289B**036	35.00	35.00	44.06
Large	289B**048	35.00	35.00	47.44
Large	289B**060	35.00	35.00	47.44
Large	286B**024	35.00	35.00	40.63
Large	286B**036	35.00	35.00	40.63
Large	286B**048	35.00	35.00	40.63
Large	286B**060	35.00	35.00	47.44
Medium	285B**018	31.19	31.19	29.56
Large	285B**024	35.00	35.00	33.88
Large	285B**030	35.00	35.00	37.25
Large	285B**036	35.00	35.00	37.25
Large	285B**042	35.00	35.00	30.44
Large	285B**048	35.00	35.00	33.88
Large	285B**060	35.00	35.00	40.63
Mini	189C**013	23.13	23.13	31.63
Mini	189C**024	23.13	23.13	31.63
Mini	189C**025	23.13	23.13	38.44
Mini	189C**036	23.13	23.13	38.44
Medium	189C**037	31.19	31.19	39.75
Medium	189C**048	31.19	31.19	39.75
Large	189C**049	35.00	35.00	44.00
Medium	189C**060	31.19	31.19	43.19
Large	180C**024	35.00	35.00	40.63
Large	180C**036	35.00	35.00	47.44
Large	180C**048	35.00	35.00	47.44
Large	180C**060	35.00	35.00	47.44
Medium	187B**024	31.19	31.19	36.38
Medium	187B**036	31.19	31.19	36.38
Large	187B**048	35.00	35.00	40.63
Large	187B**060	35.00	35.00	40.63
Medium	186B**018	31.19	31.19	29.56
Medium	186B**024	31.19	31.19	29.05
Medium	186B**030	31.19	31.19	32.94
Large	186B**036	35.00	35.00	30.44
Large	186B**042	35.00	35.00	40.63
Large	186B**048	35.00	35.00	40.63
Large	186B**060	35.00	35.00	47.44

Cabinet	Unit Model	Width (in)	Depth (in)	Height (in)
Large	226A**024	35.00	35.00	39.13
Large	226A**036	35.00	35.00	39.13
Large	226A**048	35.00	35.00	39.13
Large	226A**060	35.00	35.00	45.94
Medium	225B**018	31.19	31.19	28.94
Large	225B**024	35.00	35.00	32.31
Large	225B**030	35.00	35.00	32.31
Large	225B**036	35.00	35.00	35.75
Large	225B**042	35.00	35.00	28.94
Large	225B**048	35.00	35.00	28.94
Large	225B**060	35.00	35.00	39.13
Medium	127A**024	31.19	31.19	35.75
Medium	127A**036	31.19	31.19	35.75
Large	127A**048	35.00	35.00	39.13
Large	127A**060	35.00	35.00	45.88
Small	126B**018	25.75	26.75	28.69
Medium	126B**024	31.16	32.16	28.31
Medium	126B**030	31.19	31.19	32.31
Large	126B**036	35.00	35.00	28.31
Large	126B**042	35.00	35.00	39.13
Large	126B**048	35.00	35.00	32.31
Large	126B**060	35.00	35.00	45.94

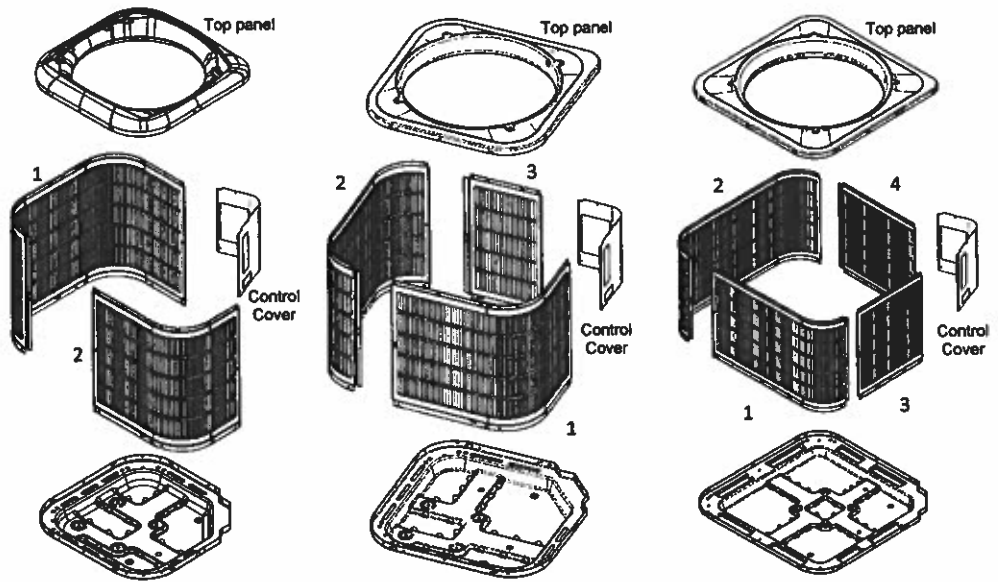


Note: Image is not to scale and is for illustration purposes only. Actual units may differ slightly in appearance.

Mini Cabinet

Small Cabinet

Medium and Large Cabinet



Revision #	Description	Initials	Date
f	Model 180B replaced by 180C	BN	11/25/2019
g	Model 189B replaced by 189C	BN	12/06/2019

LIMITATIONS & CONDITIONS OF USE:

Use of this product shall be in strict accordance with this TER as noted herein.

The supporting host structure shall be designed to resist all superimposed loads as determined by others on a site specific basis as may be required by the Authority Having Jurisdiction. Host structure conditions which are not accounted for in this product's respective anchor schedule shall be designed on a site-specific basis by a registered professional engineer. No evaluation is offered for the host supporting structure by use of this document. Adjustment factors noted herein and the applicable codes must be considered, where applicable. All supporting components which are permanently installed shall be protected against corrosion, contamination, and other such damage at all times. Fasteners must penetrate the supporting members such that the full length of the threaded portion is embedded within the main member. All anchors, screws, straps, clips, and attachment part can be substituted for equivalent parts, as long as the capacities of the equivalent parts are equal or stronger. This evaluation does not offer any evaluation to meet large missile impact debris requirements which typically are not required for this type of product.

All of the wind resisting exterior panels, individually meet or exceed their capacity to resist the design wind loads as stated in the calculations as required by the Florida Building Code Sixth Edition (2017). Due to the indeterminate nature of these units, distortion and deflection cannot be accurately evaluated, but with diaphragm action of external components and internal stiffeners, the base unit has the capacity to withstand these forces with individual external parts being contained. Yearly inspections, during equipment maintenance or after a named storm, all screws, cabinet components, clips, anchor bolts, straps and cables are to be verified by the A/C contractor. All damaged cabinet components, loose, corroded, broken screws or anchor bolts shall be replaced to ensure structural integrity for hurricane wind forces.