



**TOSHIBA**  
Carrier

# Carrier Toshiba VRF Controls Checklist

Site Name:

Address:

City, State:

Contact:

Zip:

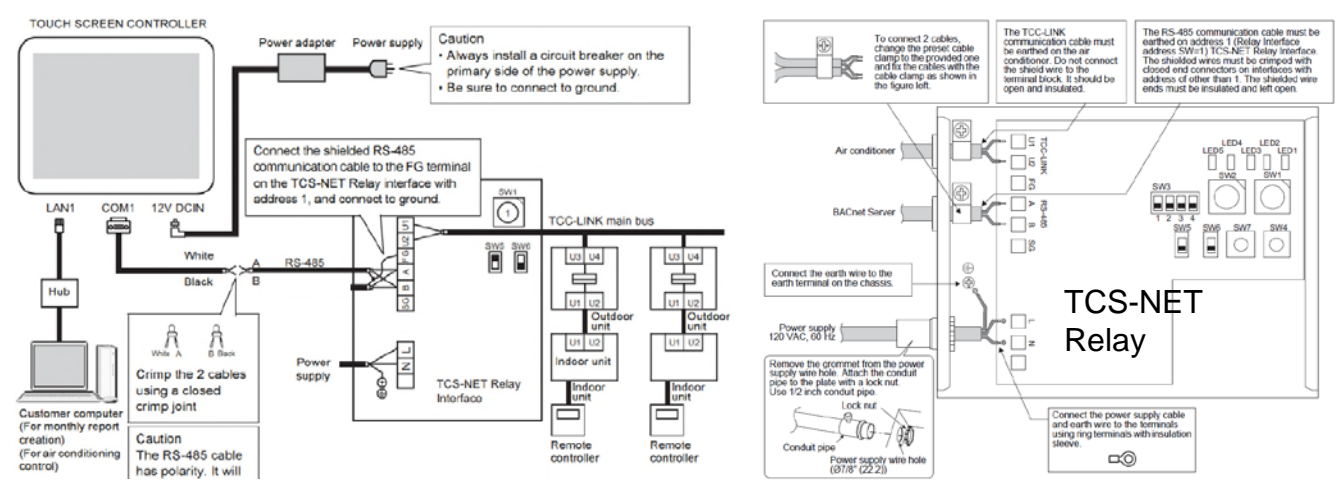
Phone:

## Carrier Enterprise Technical Services

Touch Screen Central BMS-CT5120UL	Qty.	Micro-BACnet BMS-IFBN640TLUL	Qty.
Smart Manager BMS-SM1280HTLUL	Qty.	BACnet Intelligent Server BMS-LSV6UL	Qty.
LonWorks Interface TCB-IFLN642TLUL	Qty.		

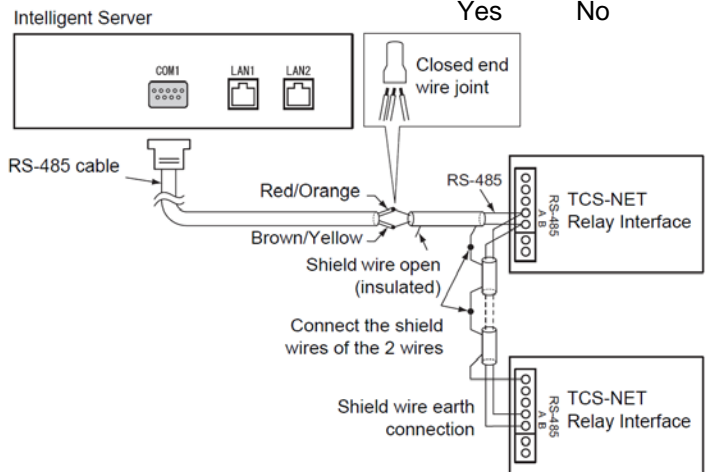
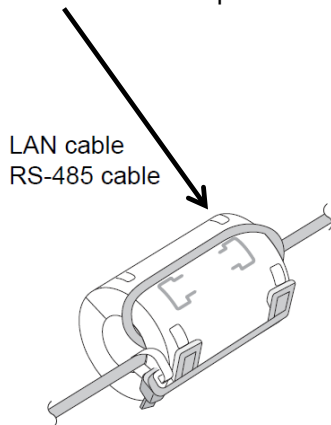
### Touch Screen Option – BMS-CT5120UL / TCS-NET Relay:

IP Address:	Subnet Mask:	Default Gateway:		
120 VAC outlet within 4FT of Control.			Yes	No
Field supplied 120VAC power wire connected to TCS-NET Relay.			Yes	No
All Control wiring is stranded, 2-conductor, non-polarity, shielded wire 16 AWG?.			Yes	No
If not, enter what was used here.				
TCS-NET Relay U1, U2 daisy changed to Header outdoor unit U3, U4 Terminals.			Yes	No
TCS-NET Relay A, B connected to Touch Screen Com 1.			Yes	No
Wire shield is secured per install instructions.			Yes	No



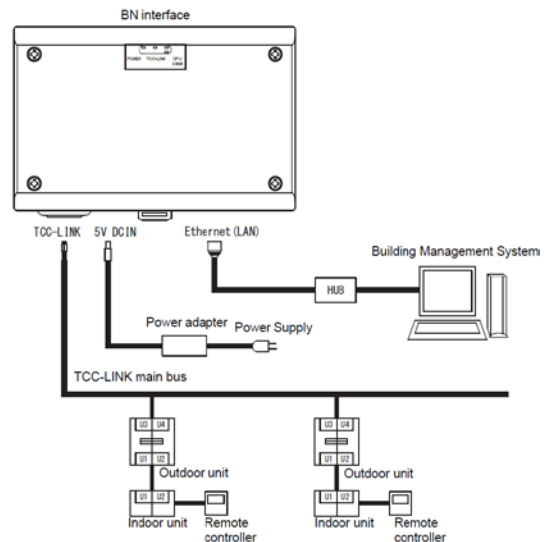
## BACnet Intelligent Server – BMS-LSV6UL:

IP Address:	Subnet Mask:	Default Gateway:		
120 VAC outlet within 4FT of Control.			Yes	No
Field supplied 120VAC power wire connected to TCS-NET Relay.			Yes	No
All Control wiring is stranded, 2-conductor, non-polarity, shielded wire 16 AWG?			Yes	No
If not, enter what was used here.				
TCS-NET Relay U1, U2 daisy changed to Header outdoor unit U3, U4 Terminals.			Yes	No
TCS-NET Relay A, B connected to Touch Screen Com 1.			Yes	No
Wire shield is secured per install instructions.			Yes	No
Wire Filter fixed to cables per Install Instructions.			Yes	No



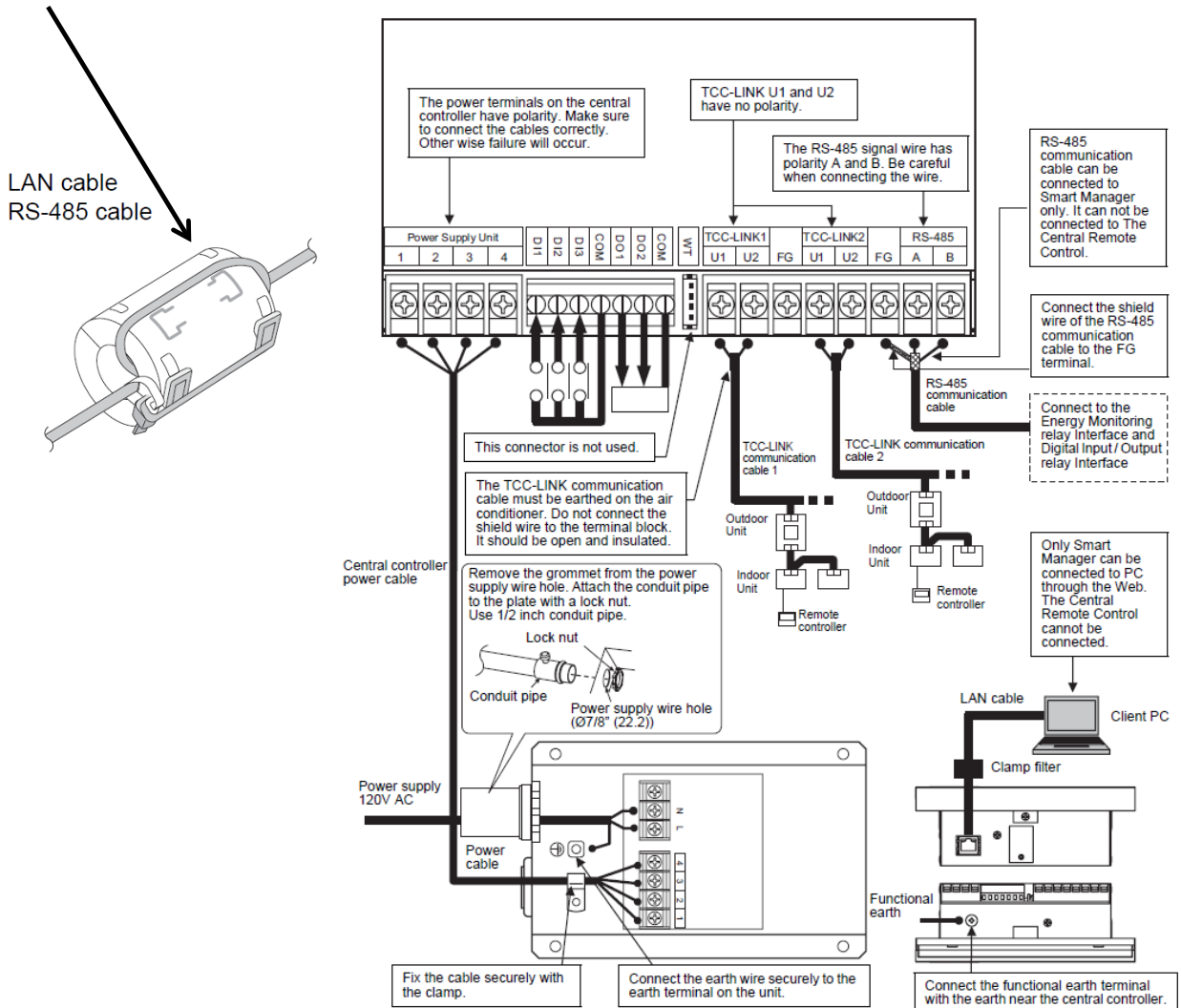
## Micro-BACnet – BMS-IFBN640TLUL:

IP Address:				
Subnet Mask:				
Default Gateway:				
120 VAC outlet within 4FT of Control.	Yes	No		
All Control wiring is stranded, 2-conductor, non-polarity, shielded wire 16 AWG.	Yes	No		
If not, enter what was used here.				
TCC-LINK daisy changed to Header outdoor unit U3, U4 Terminals.	Yes	No		
Wire shield is secured per install instructions.	Yes	No		



## Smart Manager – BMS-SM1280HTLUL:

IP Address:	Subnet Mask:	Default Gateway:		
Field supplied 120VAC power wire connected to Power Unit.	Yes	No		
Power wires (4-16AWG) run from Power Unit to Smart Manager.	Yes	No		
All Control wiring is stranded, 2-conductor, non-polarity, shielded wire 16 AWG.	Yes	No		
If not, enter what was used here.				
TCC-LINK U1, U2 daisy changed to Header outdoor unit U3, U4 Terminals.	Yes	No		
Wire shield is secured per install instructions.	Yes	No		
Wire Filter fixed to cables per Install Instructions.	Yes	No		





# Carrier Toshiba VRF Controls Checklist

## LonWorks – TCB-IFLN642TLUL:

120 VAC connected to control.

Yes      No

All Control wiring is stranded, 2-conductor, non-polarity, shielded wire 16 AWG?

Yes      No

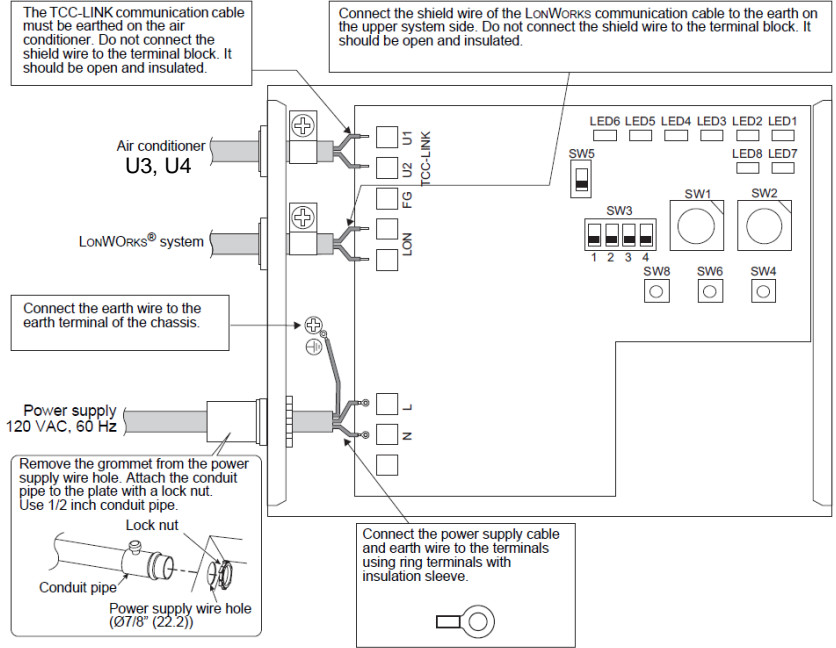
If not, enter what was used here.

TCC-LINK daisy changed to Header outdoor unit U3, U4 Terminals.

Yes      No

Wire shield is secured per install instructions.

Yes      No



## Start Up Assistance Request:

For start-up assistance - coordinate with CE Technical Support a minimum of 2 weeks prior to the expected start-up date. Send us this fully completed form to request an assisted commissioning. Please fill and send both to:

Are controls being commissioned at the same time as equipment.      Yes      No

1st Choice Scheduled Date:

2nd Choice Scheduled Date:

Once received our VRF Specialist will call to review these forms, once reviewed CE will confirm a date for commissioning.

Forms must be completed by Installing Contractor:

Today's Date:

Company Name:

Technician / Installer:

Signature:

By signing this the contractor confirms all information provided is correct. If CE arrives on site and system is not ready for commissioning additional fees may be charged.