



Carrier Bryant VRF Controls Checklist

Carrier Enterprise Technical Services

Site Name:

Address:

City, State:

Contact:

Zip:

Phone:

Touch Screen Central
40VM900006

Qty.

BACnet Interface
40VM900052

Qty.

LonWorks Interface
40VM900053

Qty.

Touch Screen Option – 40VM900006:

IP Address:

Subnet Mask:

Default Gateway:

24 VAC power supplied to control.

Yes No

All control wiring is stranded, 2-conductor, non-polarity, shielded wire 16 AWG.

Yes No

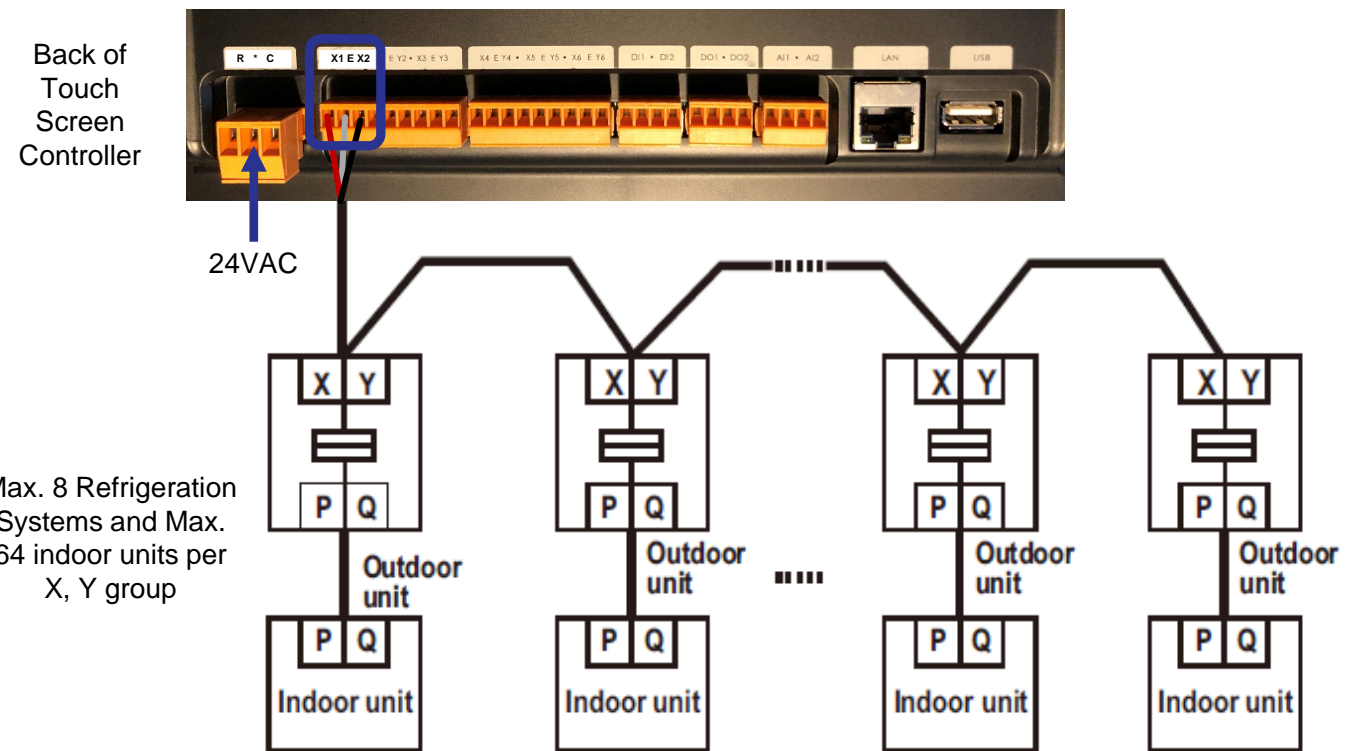
If not, enter what was used here.

Indoor unit(s) / MDC unit(s) daisy chain connected to Touch Screen X1, Y1 terminals.

Yes No

Wire shield is secured to "E" terminal per install instructions.

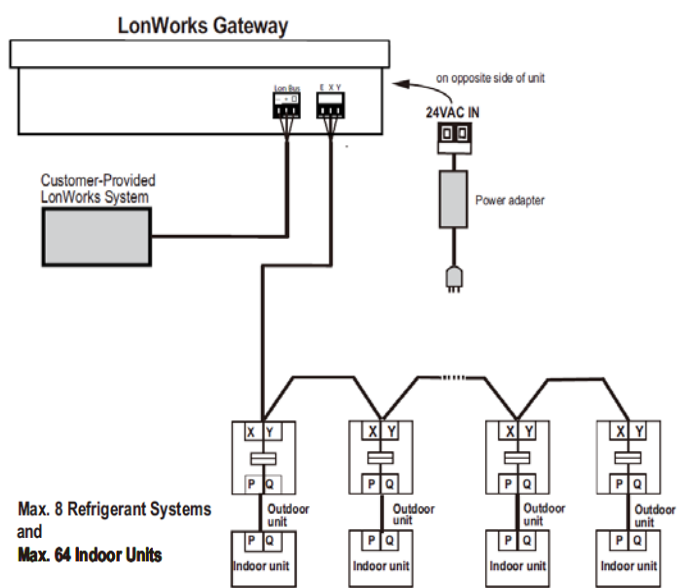
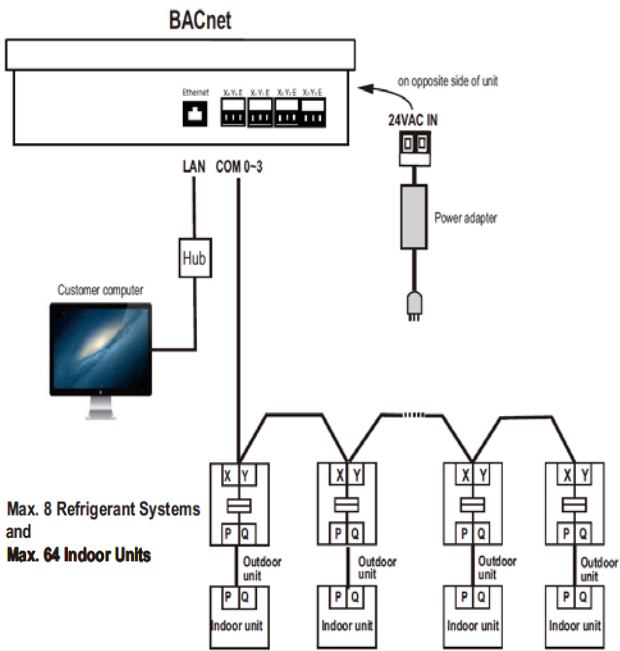
Yes No



Carrier Bryant VRF Controls Checklist

BACnet Interface – 40VM900052:

- | | | | | |
|--------------------------------------------------------------------------------------|--------------|------------------|-----|----|
| IP Address: | Subnet Mask: | Default Gateway: | | |
| 24 VAC power supplied to control. | | | Yes | No |
| All control wiring is stranded, 2-conductor, non-polarity, shielded wire 16 AWG. | | | Yes | No |
| If not, enter what was used here. | | | | |
| Indoor unit(s) / MDC unit(s) daisy chain connected to BACnet Com 0 - X, Y terminals. | | | Yes | No |
| Wire shield is secured per install instructions. | | | Yes | No |



LonWorks Interface – 40VM900053:

- | | | | | |
|------------------------------------------------------------------------------------------|--|--|-----|----|
| 24 VAC power supplied to control. | | | Yes | No |
| All control wiring is stranded, 2-conductor, non-polarity, shielded wire 16 AWG. | | | Yes | No |
| If not, enter what was used here. | | | | |
| Indoor unit(s) / MDC unit(s) daisy chain connected to LonWorks Interface X, Y terminals. | | | Yes | No |
| Wire shield is secured per install instructions. | | | Yes | No |



Carrier Bryant VRF Controls Checklist

Start Up Assistance Request:

For start-up assistance - coordinate with CE Technical Support a minimum of 2 weeks prior to the expected start-up date. Send us this fully completed form to request an assisted commissioning. Please fill and send both to:

Are controls being commissioned at the same time as equipment. Yes No

1st Choice Scheduled Date:

2nd Choice Scheduled Date:

Once received our VRF Specialist will call to review these forms, once reviewed CE will confirm a date for commissioning.

Forms must be completed by Installing Contractor:

Today's Date:

Company Name:

Technician / Installer:

Signature:

By signing this the contractor confirms all information provided is correct. If CE arrives on site and system is not ready for commissioning additional fees may be charged.