

# Installation Instruction

## Carrier/Bryant

### Roof Top Units & Condensing Units - Optional Mounting to Concrete or Stand

### Usage Chart and Instructions

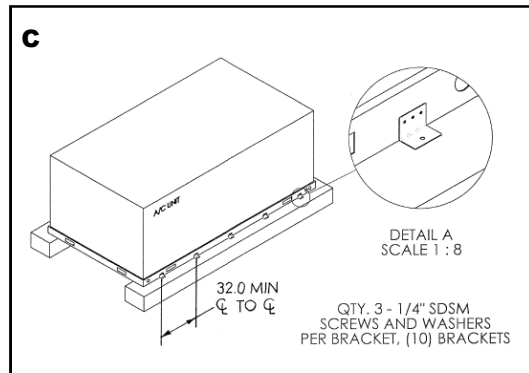
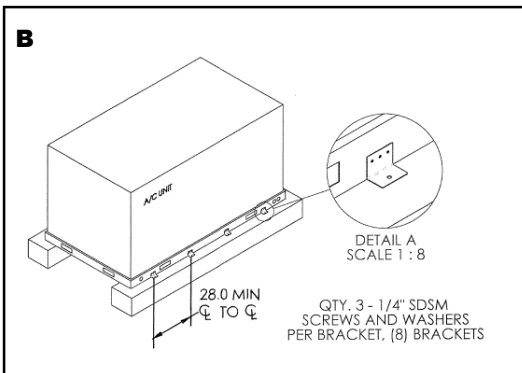
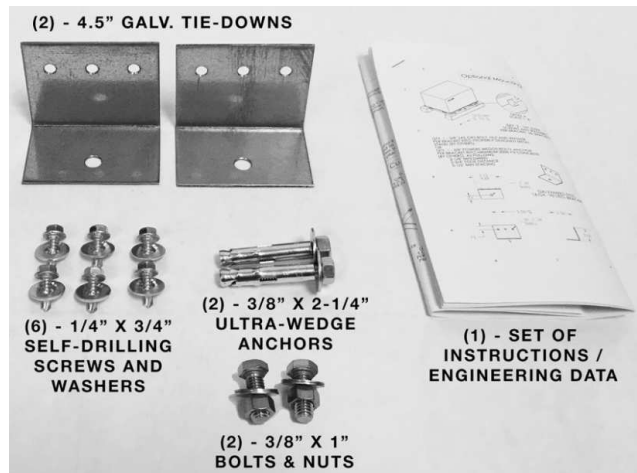
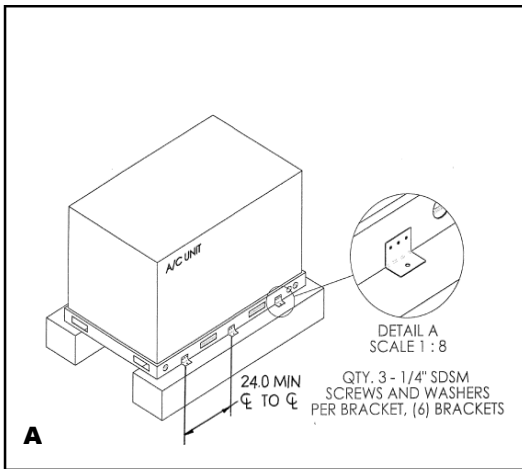
Description/Name: Tie Down Bracket for Concrete or Stand  
 Part Number: CBTDC-KGR

Kit includes:

Qty. 2	Tie down Brackets
Qty. 6	1/4" x 3/4" Self-Drilling Screws with Washers
Qty. 2	3/8" x 2-1/4" Ultra-Wedge Anchors <b>(Note this is for Concrete Installations)</b>
Qty. 1	Instructions
Qty. 2	3/8" x 1" Bolts, Washer and Nuts <b>(Note this is for Rails Systems)</b>

Roof Top Unit Chassis Identifier	Carrier Model Number and Tonnage	Bryant Model Number and Tonnage	Number of Kits Required
<b>A</b> Chassis 1, 2, 3 & 4	48/50TC, 50TCQ 04 through 07, 48/50KC, 50KCQ, 48/50HC, 50HCQ, 48/50LC 04 through 06 48/50TC 08 through 14, 50TCQ 08 through 12 48/50HC 07 through 12, 50HCQ 07 through 09 48/50LC 07	580J/558J 04, 548J 04 through 07, 582J/559J, 547J, 581J/551J 04 though 06 580J/558J 08 through 14, 548J 08 through 12, 581J/551J 07 through 12, 549J 07 through 09	3 Kit
<b>B</b> Chassis 5	48/50HC 16, 50TCQ and 48/50HC 14, 50HCQ 12, 48/50LC 08 through 12	580J/558J 16, 548J 14, 581J/551J 14, 549J 12	4 Kits
<b>C</b> Chassis 6, 7, 8 & 9	48/50TC 17 through 30, 50TCQ 17 & 24, 48/50HC 17 through 28, 48/50LC 14 through 26	580J/558J 17 through 30, 548J 17 through 24, 581J/551J 17 through 28	5 Kits

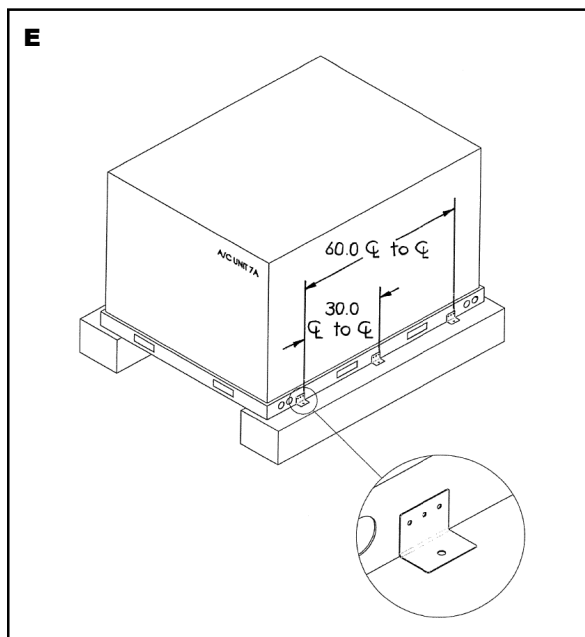
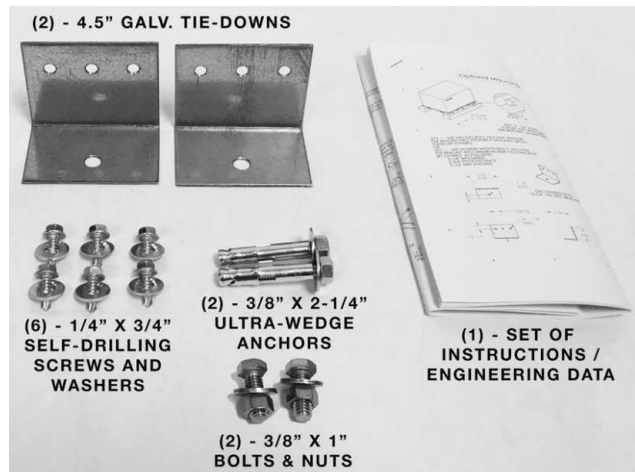
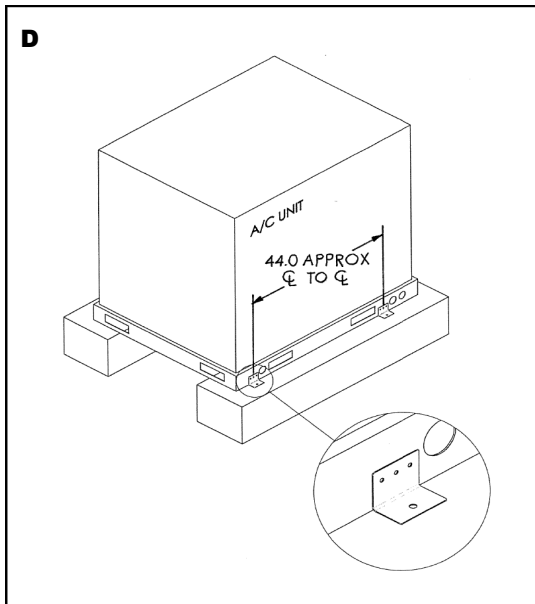
IMPORTANT: for additional details visit our e Commerce Website at: [fl.carrierenterprise.com](http://fl.carrierenterprise.com)



# Carrier/Bryant

## Condensing Units - Optional Mounting to Concrete or Stand Usage Chart and Instructions

Roof Top Unit Chassis Identifier	Carrier Model Number and Tonnage	Bryant Model Number and Tonnage	Number of Kits Required
<b>D</b> Chassis 3 & 4	38AUD Size 12 through 14 38AUZ and 38AUQ 07 through 14	569J--D 12 through 14 569J--A and 575J 07 through 14	2 Kit
<b>E</b> Chassis 6 & 7	38AUD, 38AUZ, and 38AUQ 16 38AUD, 38AUZ, and 38AUQ 25	569--D, 569J--A, 575J 16 569--D, 569J--A, 575J 25	3 Kits



**SPECIAL NOTE:** If you are installing the aforementioned units on a **roof curb** you need to use a different kit all together. Visit the [fl.carrierenterprise.com](http://fl.carrierenterprise.com) website and view under dealer resource for Carrier/Bryant Z-Brackets.

