

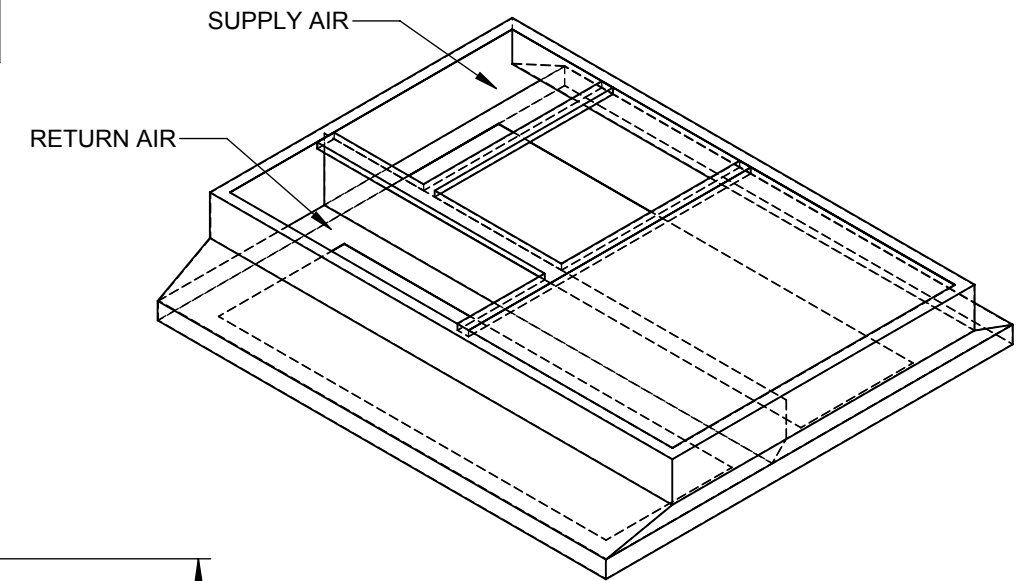
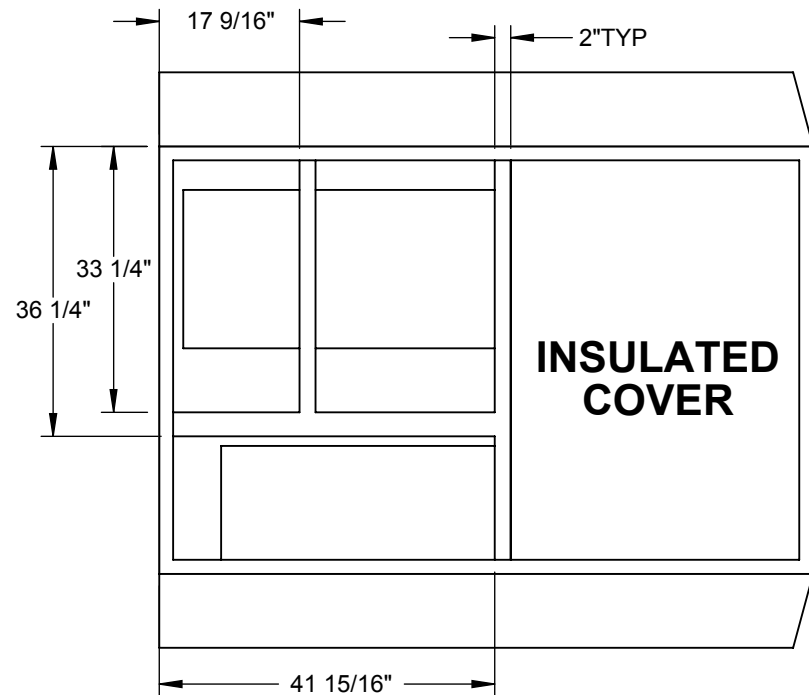
OPTIONS:
MATERIAL: 18ga. GAL STEEL
INSULATED PANELS (WHERE REQUIRED)
1" DUCT INSULATION (R VALUE 3.85)
GASKET PROVIDED WITH CURB
1 1/2" ADDED TO EXISTING CURB O.D.

DIMENSIONED AND TOLERENCED PER ANSI Y14.5M-1982

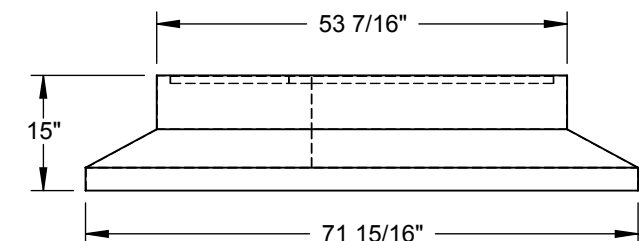
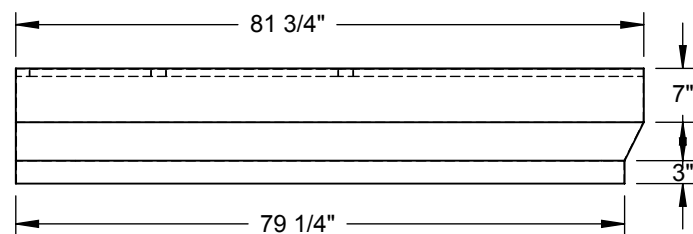
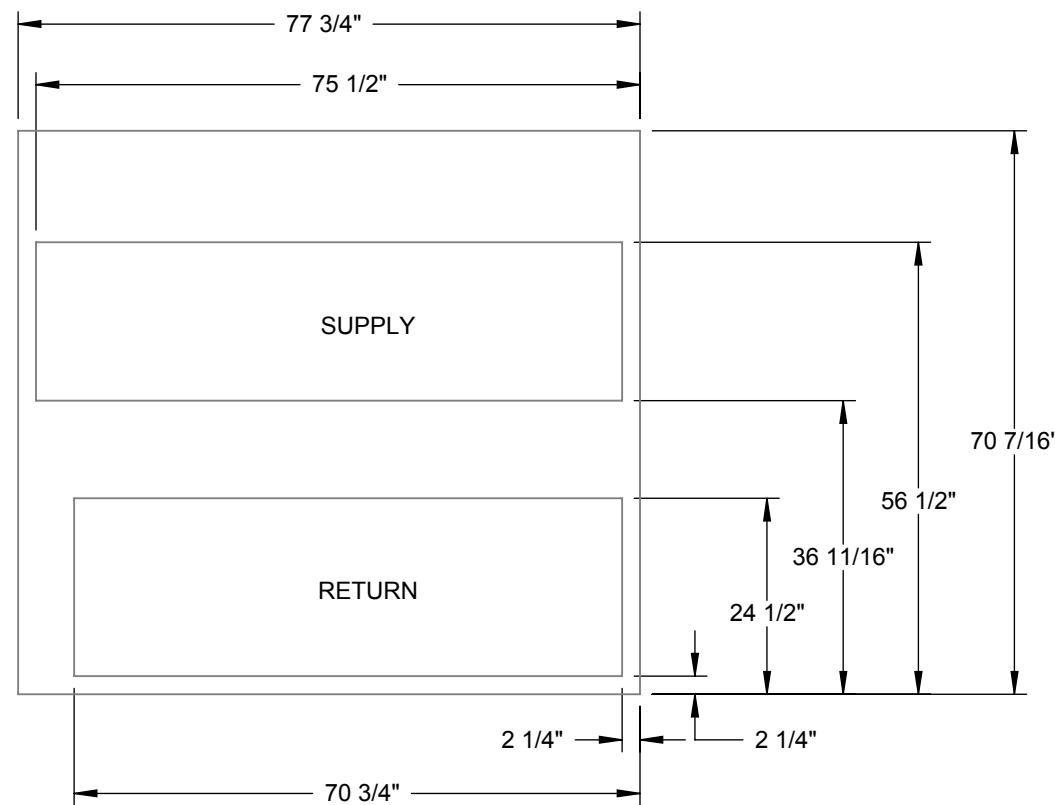
REVISIONS			
REV.	DESCRIPTION	DATE	APPROVED
1	INITIAL DRAWING	6/23/2006	
2	UPDATED TOP BRACES	11/29/11	OO

Attn: _____ Tag: _____

Approval: _____



EXISTING CURB LAYOUT



CURB SHOWN IS CDI STANDARD CONFIGURATION CDI RESERVES THE RIGHT TO CHANGE LAYOUT WITHOUT NOTIFICATION. IF CURB IS NEEDED IN A DIFFERENT CONFIGURATION CDI MUST BE NOTIFIED PRIOR TO PLACING AN ORDER.

*VERIFY EXISTING CURB OD
 *VERIFY SUPPLY AND RETURN OPENINGS
 *NOTE ANY CHANGES
 *CALL WITH ANY QUESTIONS
 *FAX BACK IF DRAWING IS OK AS IS

CURB WEIGHT (LBS.) 163.40	APPROVALS DRAWN: esaunders CHECKED: _____	DATE Wednesday, February 17, 2016 10:46:43 AM	TITLE: 1-4010-4005
<small>UNLESS OTHERWISE SPECIFIED, TOLERANCES ARE: X ± 0.05 XX ± 0.03 XXX ± 0.01</small>	<small>Ø .XX = ±.007 <S ±.12"</small>	<small>DIMENSIONS ARE AS FOLLOWS: 1.00 in [25.40 mm]</small>	<small>3RD ANGLE PROJECTION</small>
CDI 17560 TYLER ST NW ELK RIVER, MN 55330 (763)391-7790 (763)391-7851		FILE NAME: 1-4010-4005	DRAWING NO.: 1-4010-4005 REV: 2 SCALE: 1:24 SHEET: 1 OF 3