

## Product Data

### INFINITY® TOUCH CONTROL

Carrier specializes in creating a customized home comfort system tailored to your needs with our broad selection of residential heating and cooling products. The Infinity® Touch Control System is the ultimate control center for all of your system components. When you add an Infinity Touch Control to a compatible variable speed furnace, fan coil, or small packaged product, you will enjoy longer heating and cooling cycles at lower fan speeds for a more consistent temperature throughout your home. By adding a variable speed or 2-stage outdoor unit, you will enjoy extra benefits which include better humidity and temperature control as well as a more energy efficient comfort system. When paired with Infinity® Zoning controls, the Infinity Touch Control allows you to create up to 8 zones of customized comfort.

The Infinity® Zoning system does not require a bypass damper, leaving air temperature (LAT) sensor, or field-installed power transformer.

### INDUSTRY LEADING FEATURES / BENEFITS

Carrier's revolutionary Infinity Touch Control is the smart control of the future. The Infinity Touch Control features a high resolution display, making it easier to read. Intuitive prompts let you program everything from humidity levels to fan speeds, giving you the ultimate control over your home comfort. Other features include:

- 4-wire installation from each component in the system
- Infinity® Zoning
- Intuitive on screen prompts for ease of installation and service
- *Ideal Humidity™* settings are the default no longer requiring increased system setup
- Complete integration of the temperature, humidity and ventilation in every season
- 7-day programmability with Lifestyle Comfort Profiles and Touch-N-Go® features
- Easy timed-override schedule
- Simplified vacation schedules
- Day-at-a-glance programming for simplified ease of use
- Programmable fan by period
- TrueSense™ Dirty Filter Detection
- Indoor Air Quality pop up reminders
- General maintenance reminder messaging
- Wi-Fi remote access capability (SYSTXCCITW01-A & SYSTXCCITC01-A).
- Photo, dealer info, and software update USB upload capability
- Compatible with home automation through the SYSTXCCRCT01 or SYSTXCCRWF01.
- Compatible with Infinity® Small Packaged Products



A11577

**NOTE:** Infinity® Touch Control compatible with Infinity® rated equipment only.

US Patents: Carrier® U.S. Pat No. 7,243,004, Carrier® U.S. Pat No. 7,775,452, pointSET™ U.S. Pat No. 7,415,102

## MODEL NUMBER NOMENCLATURE

1    2    3    4    5    6    7    8    9    10    11    12    13    14  
**S   Y   S   T   X   C   C   I   T   W   0   1   -   A**

**Product Type**  
 Infinity® System

**Version**  
 A

**Brand**  
 Carrier

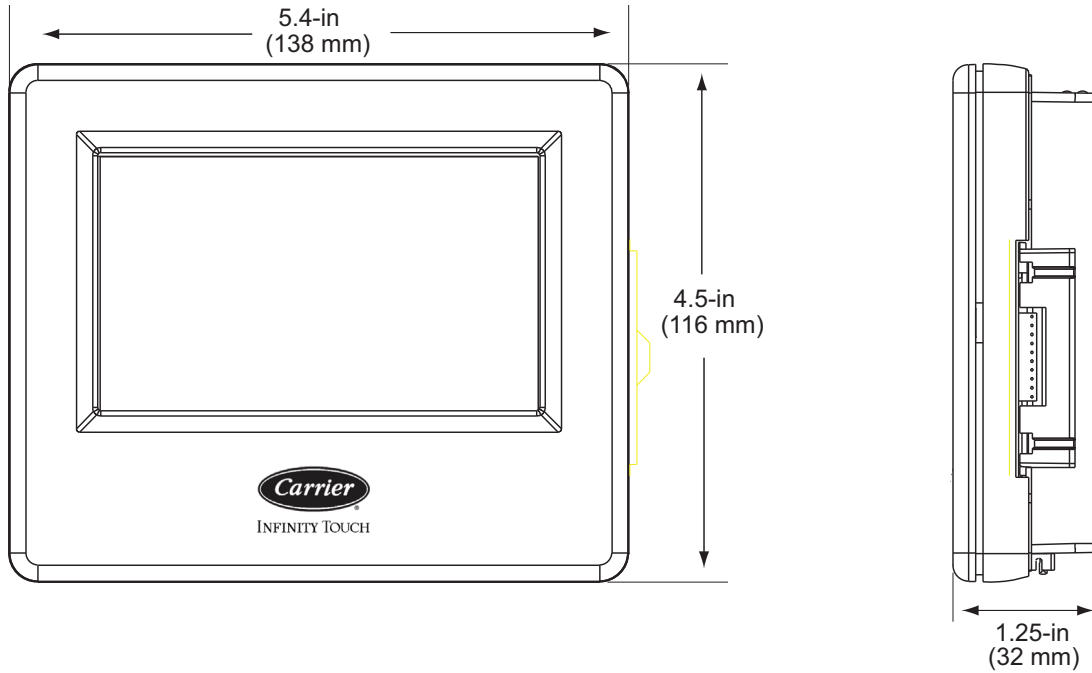
**Packaged Quantity**  
 01

**Model Type**

ITW – Infinity® Touch Control with Wi-Fi & Wireless Access Point  
 ITC – Infinity® Touch Control with Wi-Fi  
 ITN – Infinity® Touch Control (non-Wi-Fi)



INFINITY® TOUCH



**Fig. 1 - Unit Dimensions**

A11606

# PRODUCT DATA INFORMATION

## Compatible Communicating Products

Compatible with most Infinity® System indoor and outdoor equipment built since 2004; see equipment specifications for details

## Home Automation System Interface

The Infinity Touch control can connect to a variety of Home Automation systems. Note that not all Home Automation systems may be compatible. Reference the latest version of the Application Specification titled “SAM Remote Access Application Specification,” available on HVACpartners.com to learn more about the latest Home Automation interfaces to the Infinity systems. Work with the home automation supplier to see if the systems are compatible. If not, you may provide the “SAM Remote Access Application Specification” to the home automation supplier to develop an interface with the Infinity Touch system. Always be sure to obtain the latest version of the application specification from HVACpartners, as we continually update and add home automation interfaces.

**NOTE:** The ability to remotely access and adjust the settings of the Infinity Touch Control with the MyInfinity web and mobile applications is dependent on the compatibility of the user’s computer, home network and/or mobile device, the Infinity Touch Control, and/or the MyInfinity web server or other system interfaces with, and the availability of, the user’s internet service provider or mobile device carrier service. Carrier Corporation makes no representations or warranties, express or implied, including, to the extent permitted by applicable law, any implied warranty of merchantability or fitness for a particular purpose or use, about the compatibility of the user’s computer, home network, and/or mobile device, with the Infinity Touch Control, and/or the MyInfinity web server or other system interfaces, with, and the availability of, the user’s internet service provider or mobile device carrier service, or that the ability to remotely access and adjust the settings of the Infinity Touch Control will not be negatively affected by the network-related modifications, upgrades, or similar activity of the user’s internet service provider or mobile device carrier service.

## Physical Characteristics

**Dimensions:** See drawing

**Appearance:** Plastic, Silver (Black and White Changeable Faceplates included)

## Electrical Characteristics/Communication

### **Input Volts/Amps 24VAC**

Each device in the Infinity® System has a four-pin connector labeled ABCD. It is recommended that the following color code be used when wiring each device:

- A — Green = Data A
- B — Yellow = Data B
- C — White = 24VAC (Com)
- D — Red = 24VAC (Hot)

## Environmental Requirements:

### **Operating Temperature/Relative Humidity:**

User interface and all sensors: 32°F to 104°F / 0°C to 40°C, 95% rh non-condensing

## Feature Specifications:

Temperature set point range: 50°F to 90°F / 4.4°C to 32.2°C

Separate heat and cool setpoints

Programming days: 7 day

Programming periods: Up to 5 periods per day

Smart Setback (with programming)

Touch-N-Go® feature

Non-Programmable

Auto changeover (may be disabled)

Programmable fan (installer selectable)

Humidity Sensor Offsets

Auto Changeover Timer (installer adjustable)

Smart Recovery (in heating and cooling)

Hold function

Copy functions: Copy period, day

Permanent memory

Humidity display and control

Temperature sensor offsets (indoor and outdoor)

TrueSense™ Dirty Filter Detection with compatible indoor equipment

## Wiring Requirements:

**Power supply:** Dedicated 24VAC, 40 va, 60 Hz, via indoor equipment ABCD Connector. Isolated transformer, field supplied.

**Wiring material:** Standard thermostat wire 18 to 24 gauge.

## EQUIPMENT

DESCRIPTION	PART NO.
Infinity® Touch Control (non – Wi – Fi)	SYSTXCCITN01 – A
Infinity® Touch Control with Wi – Fi	SYSTXCCITC01 – A
Infinity® Touch Control with Wi – Fi Remote Access Capability & Wireless Access Point	SYSTXCCITW01 – A
Infinity® Network Interface Module (NIM)	SYSTXCCNIM01*

- \* Required for ventilator control
- \* Required for Hybrid Heat applications with non – communicating heat pumps
- \* Required for use with 2 – stage (non – communicating) AC or HP

## OPTIONAL ACCESSORIES

DESCRIPTION	PART NO.
Infinity® Remote Room Sensor (RRS)	SYSTXCCRRS01*
Large Decorative Backplate	SYSTXXXDBP01†
10 Pack Replacement – Green Indoor Unit Plug (ABCD Connector)	SYSTXGRPLG10
Outdoor Sensor	TSTATXXSEN01 – B
Wireless Access Point (WAP)	SYSTXXXGWR01
Infinity Remote Access Module, Broadband Cat – 5 Wired	SYSTXCCRCT01
Infinity Remote Access Module, Broadband Wi – Fi Wireless	SYSTXCCRWF01

- \* Not required, but may be used to remote sense indoor room temperature.
- † Backplate dimensions – 5.75 – in. (146 mm) wide x 6 – in. (152 mm) high.

## ZONING EQUIPMENT

DESCRIPTION	PART NO.
Infinity Damper Control Module (4 Zone)	SYSTXCC4ZC01†
Infinity Smart Sensor	SYSTXCCSMS01-B

- \* NOTE: Each piece of the zoning equipment is purchased separately allowing for customization of the zoning application.
- † One Damper Control Module for up to 4 zones. A second Damper Control Module is required for zones 5 – 8.

## DAMPER REPLACEMENT ACCESSORIES

DESCRIPTION	PART NO.
45° Actuator for round dampers	DAMPACT45DEG-R
90° Actuator for rectangular dampers	DAMPACT90DEG-R
Damper Control Module 1-amp Fuse	ATO1*

\*Available from RC.

## DAMPERS

DESCRIPTION	PART NO.	
Round Dampers	6 in.	DAMPRND06INC-B
	8 in.	DAMPRND08INC-B
	10 in.	DAMPRND10INC-B
	12 in.	DAMPRND12INC-B
	14 in.	DAMPRND14INC-B
	16 in.	DAMPRND16INC-B
Rectangular Dampers	8 in. X 10 in.	DAMPREC08X10-B
	8 in. X 14 in.	DAMPREC08X14-B
	8 in. X 18 in.	DAMPREC08X18-B
	8 in. X 24 in.	DAMPREC08X24-B
	10 in. X 10 in.	DAMPREC10X10-B
	10 in. X 14 in.	DAMPREC10X14-B
	10 in. X 18 in.	DAMPREC10X18-B
	10 in. X 24 in.	DAMPREC10X24-B

## DAMPERS (CONT.)

DESCRIPTION	PART NO.
Side mount, 8 X 8	DAMPSLS08X08-B
Bottom mount, 8 X 8	DAMPSLB08X08-B
Side mount, 8 X 10	DAMPSLS08X10-B
Bottom mount, 8 X 10	DAMPSLB08X10-B
Side mount, 8 X 12	DAMPSLS08X12-B
Bottom mount, 8 X 12	DAMPSLB08X12-B
Side mount, 8 X 14	DAMPSLS08X14-B
Bottom mount, 8 X 14	DAMPSLB08X14-B
Side mount, 8 X 16	DAMPSLS08X16-B
Bottom mount, 8 X 16	DAMPSLB08X16-B
Side mount, 8 X 18	DAMPSLS08x18-B
Bottom mount, 8 X 18	DAMPSLB08X18-B
Side mount, 8 X 20	DAMPSLS08X20-B
Bottom mount, 8 X 20	DAMPSLB08X20-B
Side mount, 8 X 22	DAMPSLS08X22-B
Bottom mount, 8 X 22	DAMPSLB08X22-B
Side mount, 8 X 24	DAMPSLS08X24-B
Bottom mount, 8 X 24	DAMPSLB08X24-B
Side mount, 10 X 10	DAMPSLS10X10-B
Bottom mount, 10 X 10	DAMPSLB10X10-B
Side mount, 10 X 12	DAMPSLS10X12-B
Bottom mount, 10 X 12	DAMPSLB10X12-B
Side mount, 10 X 14	DAMPSLS10X14-B
Bottom mount, 10 X 14	DAMPSLB10X14-B
Side mount, 10 X 16	DAMPSLS10X16-B
Bottom mount, 10 X 16	DAMPSLB10X16-B
Side mount, 10 X 18	DAMPSLS10X18-B
Bottom mount, 10 X18	DAMPSLB10X18-B
Side mount, 10 X 20	DAMPSLS10X20-B
Bottom mount, 10 X 20	DAMPSLB10X20-B
Side mount, 10 X 22	DAMPSLS10X22-B
Bottom mount, 10 X 22	DAMPSLB10X22-B
Side mount, 10 X 24	DAMPSLS10X24-B
Bottom mount, 10 X 24	DAMPSLB10X24-B
Side mount, 12 X 12	DAMPSLS12X12-B
Bottom mount, 12 X 12	DAMPSLB12X12-B
Side mount, 12 X 14	DAMPSLS12X14-B
Bottom mount, 12 X 14	DAMPSLB12X14-B
Side mount, 12 X 16	DAMPSLS12X16-B
Bottom mount, 12 X 16	DAMPSLB12X16-B
Side mount, 12 X 18	DAMPSLS12X18-B
Bottom mount, 12 X 18	DAMPSLB12X18-B
Side mount, 12 X 20	DAMPSLS12X20-B
Bottom mount, 12 X 20	DAMPSLB12X20-B
Side mount, 14 X 14	DAMPSLS14X14-B
Bottom mount, 14 X 14	DAMPSLB14X14-B
Side mount, 14 X 16	DAMPSLS14X16-B
Bottom mount, 14 X 16	DAMPSLB14X16-B
Side mount, 14 X 20	DAMPSLS14X20-B
Bottom mount, 14 X 20	DAMPSLB14X20-B
Side mount, 16 X 16	DAMPSLS16X16-B
Bottom mount, 16 X 16	DAMPSLB16X16-B
Bottom mount, 16 X 20	DAMPSLB16X20-B

Slip-In Dampers

