

Limited Warranty (continued from page 15)

WARRANTY CONDITIONS:

1. To obtain the longer warranty periods as shown in the table under original owner, for the original purchaser, the product must be properly registered at www.cac-bdp.com within ninety (90) days of original installation. In jurisdictions where warranty terms conditioned on registration are prohibited by law, registration is not required and the longer warranty period shown will be apply.
2. Where a product is installed in a newly constructed home, the date of installation is the date the homeowner purchased the home from the builder.
3. If the date of original installation cannot be verified, then the warranty period begins ninety (90) days from the date of product manufacture (as indicated by the model and serial number). Proof of purchase may be required at time of service.
4. The remainder of the first five years of warranty is freely transferable without registration. To obtain a transfer of the longer warranty periods as shown in the table under subsequent owner, a subsequent owner must register the transfer at www.cac-bdp.com within 90 days of the change in ownership and payment of a transfer fee. Not applicable in all jurisdictions. See website for details.
5. Product must be installed properly and by a licensed HVAC technician.
6. The warranty applies only to products remaining in their original installation location.
7. Installation, use, care, and maintenance must be normal and in accordance with instructions contained in the Installation Instructions, Owner's Manual and Company's service information.
8. Defective parts must be returned to the distributor through a registered servicing dealer for credit.

LIMITATIONS OF WARRANTIES: ALL IMPLIED WARRANTIES AND/OR CONDITIONS (INCLUDING IMPLIED WARRANTIES OR CONDITIONS OF MERCHANTABILITY AND FITNESS FOR A PARTICULAR USE OR PURPOSE) ARE LIMITED TO THE DURATION OF THIS LIMITED WARRANTY. SOME STATES OR PROVINCES DO NOT ALLOW LIMITATIONS ON HOW LONG AN IMPLIED WARRANTY OR CONDITION LASTS, SO THE ABOVE MAY NOT APPLY TO YOU. THE EXPRESS WARRANTIES MADE IN THIS WARRANTY ARE EXCLUSIVE AND MAY NOT BE ALTERED, ENLARGED, OR CHANGED BY ANY DISTRIBUTOR, DEALER, OR OTHER PERSON, WHATSOEVER.

THIS WARRANTY DOES NOT COVER:

1. Labor or other costs incurred for diagnosing, repairing, removing, installing, shipping, servicing or handling of either defective parts, or replacement parts, or new units.
2. Any product purchased over the Internet.
3. Normal maintenance as outlined in the installation and servicing instructions or Owner's Manual, including filter cleaning and/or replacement and lubrication.
4. Failure, damage or repairs from faulty installation, misapplication, abuse, improper servicing, unauthorized alteration or improper operation.
5. Failure to start due to voltage conditions, blown fuses, open circuit breakers, or damages due to the inadequacy or interruption of electrical service.
6. Failure or damage due to floods, winds, fires, lightning, accidents, corrosive environments (rust, etc) or other conditions beyond the control of Company.
7. Parts not supplied or designated by Company, or damages resulting from their use.
8. Products installed outside the U.S.A. or its territories and Canada.
9. Electricity or fuel costs, or increases in electricity or fuel costs from any reason whatsoever, including additional or unusual use of supplemental electric heat.
10. Any cost to replace, refill or dispose of refrigerant, including the cost of refrigerant.
11. **ANY SPECIAL, INDIRECT OR CONSEQUENTIAL PROPERTY OR COMMERCIAL DAMAGE OF ANY NATURE WHATSOEVER.** Some states or provinces do not allow the exclusion of incidental or consequential damages, so the above limitation may not apply to you.

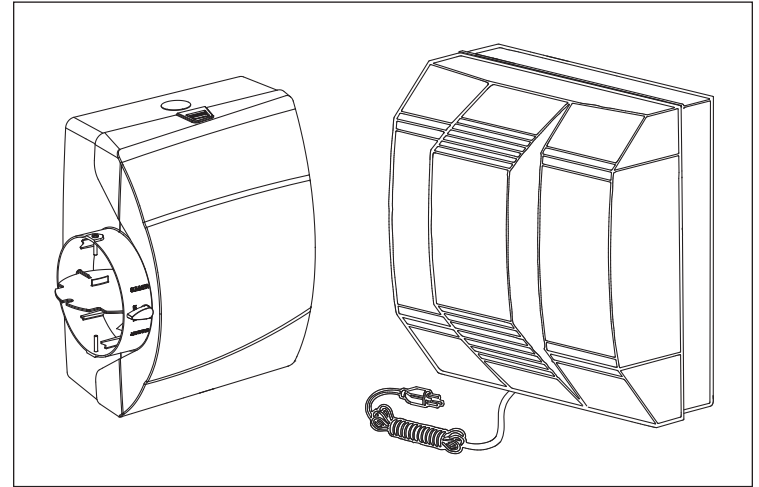
This Warranty gives you specific legal rights, and you may also have other rights which vary from state to state or province to province.

39004DP462
01/10

©2010 CAC/BDP
7310 West Morris St., Indianapolis, IN 46231

10008882 1.10
B2205060A

READ AND SAVE THESE INSTRUCTIONS



OWNER'S MANUAL

FOR BYPASS AND FAN POWERED HUMIDIFIERS

Type Installed:

- Small or Large Bypass
- Water Saver Bypass
- Fan Powered

Maintenance page:

- 12
- 13
- 14

Includes Safety, Operating and Maintenance Instructions

Bypass and Fan Powered Humidifiers

Table of Contents

	Page
Introduction	3
Principle of Operation	4
Operating Instructions	6
Effect of Water Characteristics	10
Annual Maintenance	10
Annual Summer Shutdown	10
Periodic Preventative Maintenance	11
 Maintenance Instructions	
Small and Large Bypass Humidifiers	12
Water Saver Humidifier	13
Fan Powered Humidifier	14
Limited Warranty	15

WARNING! 120 VOLTS may cause injury from electrical shock.
Disconnect power and shut off water supply before servicing.

CAUTION! Sudden operation may cause personal injury or property damage. Turn Humidifier Control to "OFF" before servicing.

Introduction

Thank you for your humidifier purchase. We sincerely appreciate your business and are pleased to add your name to our growing list of customers. Now, please take a few minutes and read this booklet. This will familiarize you with the benefits you will receive from the equipment you have purchased and help you understand the routine maintenance that will be required.

I. Principle of Operation

You have purchased a humidifier that operates on the evaporative principle. It will provide the proper relative humidity (see operating instructions) all during the heating season. It is very possible that you have questions concerning what your humidifier can do for you, and what you should do to receive maximum benefits from it. This booklet is intended to answer these questions.

The humidifier operates in conjunction with the furnace blower motor. When the humidifier control calls for humidity and the blower motor is operating, water flows to the distribution tray located at the top of the humidifier. The water is uniformly distributed across the width of the tray and through a scientifically designed system of outlets. It flows by gravity over the humidifier pad. Dry, hot air is moved through the moisture-laden humidifier pad where evaporation takes place. The now-humidified air carries moisture in vapor form throughout the home.

The correct water flow is determined by an orifice in each humidifier. When the humidifier is operating, there will be a small, steady stream of water to drain, which flushes away most of the trouble-causing minerals. Do not use the saddle valve to regulate the water flow. It is designed to be completely opened or closed.

The minerals and solid residue not trapped by the replaceable humidifier pad are flushed down the drain. The drain also eliminates the problems caused by stagnant water. This is the most effective and least expensive method to dispose of trouble-causing minerals.

Trouble-free performance and minimum maintenance are assured by the design features of the humidifier. All humidifier housing parts that come in contact with water are non-metal (except for the valve and humidifier pad) and will never rust or corrode. Neither heat nor water will affect them under normal operating conditions.

The humidifier pad, designed especially for uniform, high evaporation, and the Scale Control Insert also efficiently trap mineral deposits which are often the cause of damage to working parts in ordinary humidifiers. No "white dust" can be distributed throughout the living quarters. The humidifier pad must be in good condition to assure high capacity trouble-free performance. It should be changed annually with the exception of the Water Saver humidifier which should be replaced at least twice per heating season.

Older design water distribution trays have a granular coating in the bottom of the distribution tray to provide equal distribution of water to each of the openings assuring an even flow over the humidifier pad. **Do not clean the mineral scale off the bottom of the water distribution tray at the end of the humidification season.** If the granular coating is removed, it is not necessary to purchase a new distribution tray. You can accomplish the same uniform performance by applying a small amount of liquid dishwashing soap over the entire inside surface of the water distribution tray. This will allow the water to flow evenly through each of the openings, provided the humidifier is level, in order to achieve maximum capacity.

The current distribution tray which incorporates a synthetic fabric liner that replaces the granular coating, is designed to deliver water uniformly over the entire top surface of the humidifier pad, provided it is mounted level. It is normal for some mineral deposits to form in the distribution tray as it dries out between humidification cycles. These deposits can actually help distribute water in the tray, but if they form enough to block the openings, they should be removed as described in the "Periodic Preventative Maintenance" section of this manual.

II. Operating Instructions

Your humidifier is controlled by a manual humidifier control, HumidiTrac™ or Thermidistat™, installed either in the living area or in the cold air return.

Automatic Humidifier Control: (for Manual Humidifier Control – see page 8)

Your HumidiTrac™ Control is installed in the cold air return. During the first heating season, your HumidiTrac™ Control needs to be set initially to match your home's condition. Please follow these steps when adjusting your control (refer to Figure A).

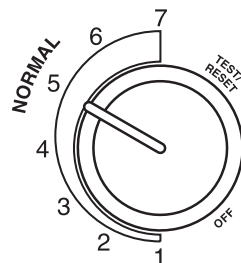
1. Turn the dial setting knob to "5," which is within the normal range. During the next 24-48 hours it may be necessary to adjust the dial for more or less humidity, depending on your personal comfort and home's requirements. Refer to "TABLE 1 – Operation Guide".
2. During the coldest portion of the first heating season, minor adjustments may be necessary. This is dependent upon your individual home construction, refer to "TABLE 1 – Operation Guide".

TABLE 1 – Operation Guide

Condition	Solution
Condensation on windows	Reduce the setting on the control dial by 1 increment.
Lack of humidity	Increase the setting on the control dial by 1 increment.
Humidifier does not operate	Turn dial to "Test." Make certain furnace and blower are operating. If humidifier still doesn't operate, consult your air conditioning and heating dealer.
Humidifier won't shut off	Turn dial to "Off." If humidifier continues to operate, consult your air conditioning and heating dealer.
Test mode	System operation is checked by setting the knob to "Test." Make certain furnace and blower are operating. Humidifier will operate for one minute.

The relative humidity in your home will now be accurately controlled to meet your needs and should not need further adjustment during future heating seasons. Make note of the dial setting in the event you temporarily move the knob when performing annual maintenance of the Humidifier.

FIGURE A



AUTOMATIC MODE

90-1054

Your Automatic Humidifier, is a high precision system that will accurately maintain the relative humidity in your home. For every 1°F change in outdoor temperature, the control will automatically adjust the indoor relative humidity (RH) by 1/2%. If you would like to determine the RH in your home, follow these steps:

1. Determine the outdoor temperature.
2. Activate the furnace blower by setting your thermostat fan switch to the "On" position, or setting your thermostat to a higher temperature.
3. Turn the control dial setting to the "Off" position. Then, slowly turn the dial clockwise until you hear the solenoid valve "click on." Next, slowly turn the dial counter-clockwise until you hear the solenoid valve "click off." At this point, make note of the dial setting.
4. Locate your dial setting on Table 2. Follow the dial setting to the right until it intersects with the current outdoor temperature. This is the relative humidity in your home under existing conditions.
5. Return the thermostat and the Humidifier Control to their original settings.

TABLE 2 – % Relative Humidity Guide

		Outdoor Temperature					
		-10°F -23°C	0°F -18°C	10°F -12°C	20°F -7°C	30°F -1°C	40°F 4°C
Dial Setting	1	10	10	10	15	20	25
	2	10	10	15	20	25	30
	3	10	15	20	25	30	35
	4	15	20	25	30	35	40
	5	20	25	30	35	40	45
	6	25	30	35	40	45	45
	7	30	35	40	45	45	45

As an example, if the outdoor temperature is 20°F, and, following step 3, the humidifier turns off at "5" on the dial range, then the RH in your home is 35%.

The HumidiTrac™ Control will accurately control the humidity in your home to a maximum of 45% RH and a minimum of 10% RH. The values of outdoor temperature and dial settings may fall in between or outside of the listed values in Table 2. In these cases, you can only approximate your home's actual indoor RH.

To check the humidifier's operation, note the current setting and set the HumidiTrac™ Control to the Test mode when the furnace blower motor is operating. Water will flow into the humidifier for 1 minute and then it will turn off. This insures the humidifier is operating properly. Do not leave the control in the test mode as it will not operate. Reset the control to it's original setting.

Note: Turning the knob to "Test" resets the Humidifier Pad Change Indicator timer.

Manual Humidifier Control or HumidiTrac™ in Manual Mode:

(for Automatic Humidifier Control – see page 6)

Your humidifier is controlled by a humidifier control installed either in the living area (typically near the thermostat) or in the cold air return. It is important to anticipate a drop in outdoor temperature and reduce the setting accordingly to avoid excessive condensation. For example, with an outdoor temperature of 20°F (-7°C) the correct setting will be 35% relative humidity. If the temperature is expected to fall to 0°F (-18°C) that evening, then merely reduce the setting to 25% several hours prior to the temperature change.

The recommended settings on the humidifier control are based on years of research (see Table 3) and experience as to what is best for the average home. These settings represent a compromise between RH levels that would be most desirable for comfort reasons and humidity levels that are suitable for protection of your home. For example, a wintertime indoor RH of 50% may be considered ideal by some, but unfortunately, it probably would result in damage to your home. Observance of the recommended RH levels on your humidifier control, therefore, is an important safeguard. Condensation of water on inside windows in the form of fogging or frost is usually an indication that the relative humidity is too high. This same condensation can take place in other areas in your home with the possibility of damage resulting.

TABLE 3 – Outdoor-Indoor Relative Humidity

Outside Temperature	Recommended RH
+40°F (4°C)	45%
+30°F (-1°C)	40%
+20°F (-7°C)	35%
+10°F (-12°C)	30%
0°F (-18°C)	25%
-10°F (-23°C)	20%
-20°F (-29°C)	15%

The Humidifier Control is a precision instrument that can be used to determine the RH accurately in your home during the winter. Turn the dial to the lowest setting, then reverse the dial direction slowly until a "click" is heard. At this point, read the RH on the dial. This will be very close to the actual RH in your home.

To check the humidifier operation, set the humidifier control above the click point, make sure that the water saddle valve is open and that there is electricity to the humidifier. Generally, the furnace and blower motor must be operating for the humidifier control to function. After the humidifier has operated for several minutes and water is entering the humidifier and coming out at the drain, reduce the humidifier control setting below the click point and the humidifier should automatically shut off. Now set the humidifier control dial at the recommended inside relative humidity, depending on the outside temperature. Follow the suggested settings prior to a drop in the outside temperature.

Additional Information

Be sure to keep fireplace dampers closed when not in use. They provide an excellent escape route for heat, as well as humidity. Humidity is lost at an even faster rate than heat because water vapor tends to seek its own level and your humidifier would not be able to replace it even when running at full capacity.

On occasion, indoor moisture producing activities such as clothes drying, cooking, showers, etc., may raise the relative humidity level higher than it should be, even though the Humidifier is not operating. Telltale indications, again, are condensation or frost on cold surfaces such as windows, doors, walls, etc. If such condensation persists for several hours, your home should be ventilated to dissipate the potentially damaging excess moisture.

III. Effect of Water Characteristics

Your humidifier will operate effectively using either hard or mechanically softened water.

Any type of water (hard, soft, hot, or cold) is acceptable for use with the drain-type humidifiers. Hot supply water, 125°F (52°C) maximum, is recommended for all heat pump applications. **The use of hot supply water will also increase the amount of humidity generated in other applications.** The heat in the water increases evaporation and the water going to the drain is cold to the touch. For better performance it is recommended that soft (reduced minerals) or filtered water be supplied to the humidifier pad. This can help reduce the amount of scale and mineral deposits that can accumulate on the pad.

IV. Annual Maintenance

For best performance, we recommend that you replace the humidifier pad in your humidifier at least annually with the exception of the Water Saver humidifier which should be changed at least twice per heating season.

To obtain a replacement: Call the installer of your humidifier. This information is often found on your equipment.

V. Annual Summer Shutdown

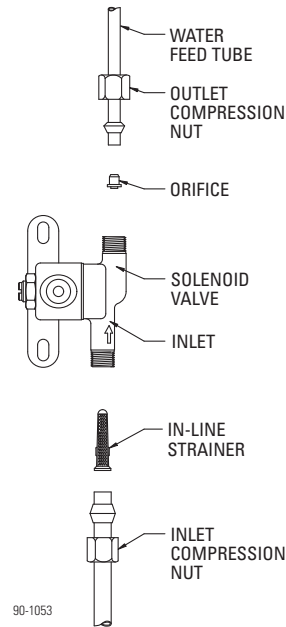
FOR THE SUMMER HUMIDIFIER SHUTDOWN, SIMPLY TURN THE HUMIDIFIER CONTROL TO THE "OFF" SETTING AND CLOSE THE DAMPER IN THE BYPASS HUMIDIFIER. (TURN DAMPER HANDLE TO "SUMMER" POSITION)

VI. Periodic Preventative Maintenance

NOTE: Periodic inspection and preventative maintenance of your total heating system is important for efficient and safe operation. Your dealer will include humidifier service during a maintenance inspection.

Your humidifier is equipped with an in-line water strainer and orifice as shown below. These parts should be inspected and cleaned periodically to ensure continued proper humidifier performance.

WATER LINE INSPECTION AND SERVICE INSTRUCTIONS



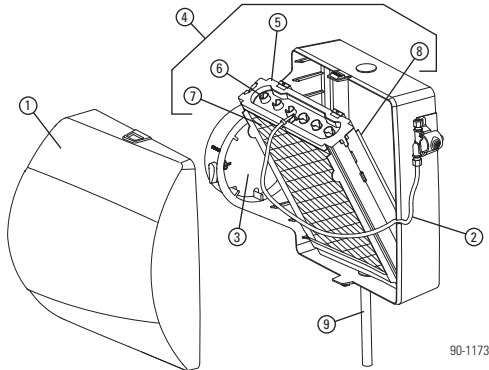
1. Disconnect electrical power to the furnace and humidifier and shut off water supply.
2. Disconnect the water line at the inlet compression nut.
3. Remove the in-line strainer from inside the inlet side of the valve by using a small nail or wire.
4. Flush the in-line strainer to clean it. If it is necessary to replace the strainer, contact your dealer for a replacement.
5. Reconnect the inlet water line. **Double Wrench to Prevent Leaking.**
6. Disconnect the water feed tube at the outlet compression nut.
7. Inspect the water feed tube by gently flexing it and looking for cracks or signs of wear. Replace tube if it is cracked, brittle, or has been damaged.
8. Remove the orifice from the copper or plastic water feed tube and make sure this small opening is unplugged.
9. Replace the orifice and reconnect the water feed tube. **Double Wrench to Prevent Leaking.**
10. Remove the drain line from the bottom of the humidifier. If applicable, flex it to loosen any mineral deposits or blockages. Flush the drain line with water under pressure to clear it of any debris, and slip it back onto the drain fitting. If drain line does not clean properly, replace it. Inspect the drain line to make sure it has a constant downward slope and is not flattened or blocked.
11. Turn on water supply and reconnect electrical power.

MAINTENANCE INSTRUCTIONS FOR SMALL AND LARGE BYPASS HUMIDIFIERS

⚠ CAUTION

Sudden operation may cause personal injury or property damage.
Turn Humidifier Control to "OFF" or lowest setting before servicing.

1. Front Cover
2. Feed Tube
3. Integral Bypass Damper
4. Evaporative Assembly
5. Distribution Tray
6. "V" Notches
7. Humidifier Pad
8. Scale Control Insert
9. Drain Line



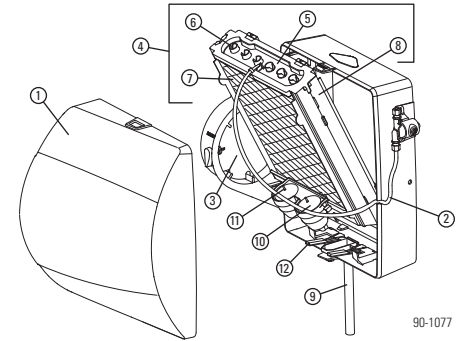
1. Note Humidifier Control setting and turn dial to the "OFF" position.
2. Turn off water supply. Turn the integral bypass damper (3) to the SUMMER position.
3. Press the tabs in the latches on the top and bottom of front cover (1) and pull cover off base with both hands. Set aside.
4. Carefully pull the plastic feed tube (2) out of the distribution tray (5) at the top of the evaporative assembly (4). Pull this assembly out by grasping at top and tipping out.
5. Unsnap the distribution tray (5) from the scale control insert (8). Lightly scrape out or brush off any mineral deposits, being careful not to stretch or loosen the synthetic fabric liner. Soaking the tray in vinegar or a lime-removing agent is helpful when trying to remove stubborn mineral deposits.
6. Slide the Humidifier Pad (7) out from the scale control insert (8). Clean the scale control insert of mineral deposits. Replace the Humidifier Pad (Part No. P110-1045 for Small Bypass Humidifier and Part No. P110-3545 for Large Bypass Humidifier) with a new Humidifier Pad. Slide the Humidifier Pad back into the scale control insert with the colored spot up and snap the distribution tray (5) back into place.
7. Inspect the plastic feed tube (2) by gently flexing it and looking for cracks or signs of wear. Replace tube if it is cracked, brittle, or has been damaged.
8. Reinstall the evaporative assembly (4) into the humidifier by fitting its drain into the round receptacle at the base of the humidifier. Push the assembly in at the top until it snaps into place. Push the end of the feed tube back firmly into the distribution tray and replace the front cover.
9. Remove the drain line (9) from the bottom of the humidifier. If applicable, flex it to loosen any mineral deposits or blockage. Then flush it with water under pressure. If it does not properly clear, replace it. Slip drain line back onto the drain fitting. Make sure the drain line has a constant downward slope and is not flattened or blocked.
10. Turn on the water supply. Return integral bypass damper to appropriate position.
11. Check system operation:
Manual Humidifier Control: With the furnace blower operating and the furnace calling for heat, turn up Control and check system operation.
Humiditrac™ Humidifier Control: (Automatic or Manual mode) Check system operation and reset Change Humidifier Pad indicator by setting the knob to "Test/Reset". With furnace blower operating and furnace calling for heat, humidifier will operate for one minute. **DO NOT LEAVE IN TEST MODE AS HUMIDIFIER WILL NOT OPERATE.**
12. Set Humidifier Control to its original position.

MAINTENANCE INSTRUCTIONS FOR WATER SAVER HUMIDIFIER

⚠ CAUTION

Sudden operation may cause personal injury or property damage.
Turn Humidifier Control to "OFF" or lowest setting before servicing.

1. Front Cover
2. Feed Tube
3. Integral Bypass Damper
4. Evaporative Assembly
5. Distribution Tray
6. "V" Notches
7. Humidifier Pad
8. Scale Control Insert/Float Chamber
9. Overflow Drain Line
10. Float Cover
11. Float
12. Water Level Sensor Assembly



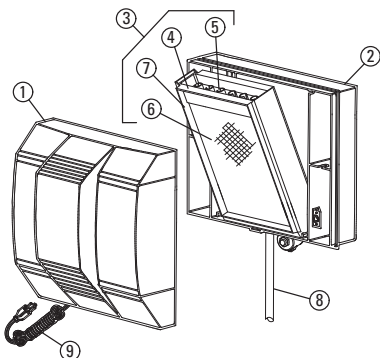
1. Note Humidifier Control setting and turn dial to the "OFF" position.
2. Turn off water supply. Turn the integral bypass damper (3) to the "SUMMER" position.
3. Press the tabs in the latches on the top and bottom of front cover (1) and pull cover off base with both hands.
4. Carefully pull the plastic feed tube (2) out of the distribution tray (5) at the top of the evaporative assembly (4). Tip the evaporative assembly forward and lift it out of the humidifier. **Do not** tip the evaporative assembly more than needed to clear the housing to avoid over-bending the water level sensor assembly (12).
5. Unsnap the distribution tray (5) from the scale control insert (8). Lightly scrape out or brush off any mineral deposits, being careful not to stretch or loosen the synthetic fabric liner. Soaking the tray in vinegar or a lime-removing agent is helpful when trying to remove stubborn mineral deposits.
6. Slide the used Humidifier Pad (7) out of the scale control insert/float chamber and dispose of it.
7. Remove the float cover (10) and inspect the floats (11) and float chamber for mineral build-up. Remove deposits as needed from floats, float chamber and scale control insert. Wash the parts with a disinfecting cleaner. Reassemble the floats and float cover. Make sure stems of both floats extend through openings in float cover and that floats move freely up and down.
8. Inspect the plastic feed tube (2) by gently flexing it and looking for cracks or signs of wear. Replace tube if it is cracked, brittle, or has been damaged.
9. Slide a new Humidifier Pad Part No. P110-4545 (7) into the scale control insert/float chamber (8). Snap the distribution tray (5) back on the scale control insert (8). **Note:** using non-recommended pads may result in leaks or improper operation.
10. Reinstall the evaporative assembly (4) into the humidifier. Take care not to over-bend the water level sensor assembly. Push the top of the evaporative assembly firmly back until it snaps into place.
11. Push the end of the feed tube back firmly into the distribution tray. Replace the front cover.
12. Under normal operation the overflow drain line (9) will never have water in it. However, inspect it for mineral deposits and replace if necessary. Make sure the drain line has a constant downward slope and is not flattened or blocked.
13. Turn on the water supply. Return integral bypass damper to appropriate position.
14. Check system operation:
Manual Humidifier Control: With the furnace blower operating and the furnace calling for heat, turn up Control and check system operation.
Humiditrac™ Humidifier Control: (Automatic or Manual mode) Check system operation and reset Change Humidifier Pad indicator by setting the knob to "Test/Reset". With furnace blower operating and furnace calling for heat, humidifier will operate for one minute. **DO NOT LEAVE IN TEST MODE AS HUMIDIFIER WILL NOT OPERATE.**
15. Set Humidifier Control to its original position.

MAINTENANCE INSTRUCTIONS FOR FAN POWERED HUMIDIFIER

⚠ WARNING

ELECTRICAL SHOCK HAZARD. Can cause injury or death. Disconnect all electrical power supplies before servicing. Shut off water supply before disconnecting or tapping into any water supply line.

1. Humidifier Cover Assembly
2. Base Assembly
3. Evaporative Assembly
4. Distribution Tray
5. "V" Notches
6. Humidifier Pad
7. Scale Control Insert
8. Drain Line
9. Power Cord



90-1075

1. Note Humidifier Control setting and turn dial to the "OFF" position.
2. Disconnect electrical power and turn off water supply.
3. Unlatch humidifier front cover assembly (1) from base assembly (2) at the bottom of the cover, lift, and set aside.
4. Pull out the evaporative assembly (3) by grasping at the top and tipping out.
5. Unsnap the distribution tray (4) from the scale control insert (7). Follow the instructions below depending upon the type of distribution tray in your humidifier:
For trays with a synthetic fabric liner: Lightly scrape out or brush off any mineral deposits, being careful not to stretch or loosen the synthetic fabric liner. Soaking the tray in vinegar or a lime-removing agent is helpful when trying to remove stubborn mineral deposits.
For trays with granular coating: Do not scrape off the granular coating, but lightly scrape out any mineral deposits and clean the "V" notches (5). This textured surface helps ensure even water flow for maximum performance. If the granular coating has been removed, replace distribution tray.
6. Slide the Humidifier Pad (6) out from the scale control insert (7). Clean the scale control insert of mineral deposits. Replace the Humidifier Pad (Part No. P110-3545) with a new Humidifier Pad. Slide the Humidifier Pad back into the scale control insert with the colored spot up and snap the distribution tray (4) back into place.
7. Inspect the plastic feed tube by gently flexing it and looking for cracks or signs of wear. Replace tube if it is cracked, brittle, or has been damaged.
8. Reinstall the evaporative assembly (3) into the humidifier by fitting its drain into the round receptacle at the base of the humidifier. Push the assembly in at the top between the retaining ribs that hold the assembly in place in a vertical position.
9. Remove the drain line (8) from the bottom of the humidifier. If applicable, flex it to loosen any mineral deposits or blockage. Then flush it with water under pressure. If it does not clear, replace it. Slip drain line back onto the drain fitting. Make sure the drain line has a constant downward slope and is not flattened or blocked.
10. Reinstall front cover assembly (1) by hooking at the top of the base assembly (2) and latching at the bottom.
11. Reconnect electrical power (9) and turn on the water supply.

12. Check system operation:

Manual Humidifier Control: With the furnace blower operating and the furnace calling for heat, turn up Control and check system operation.

Humiditrac™ Humidifier Control: (Automatic or Manual mode) Check system operation and reset Change Humidifier Pad indicator by setting the knob to "Test/Reset". With furnace blower operating and furnace calling for heat, humidifier will operate for one minute. **DO NOT LEAVE IN TEST MODE AS HUMIDIFIER WILL NOT OPERATE.**

13. Set Humidifier Control to its original position.

NOTE: The motor is permanently lubricated and does not need to be oiled.

Limited Warranty

FOR WARRANTY SERVICE OR REPAIR:

Contact the installer. You may find the installer's name on the equipment or in your Owner's Packet.

For help, contact: CAC / BDP, Consumer Relations, P.O. Box 4808, Syracuse, New York 13221, Phone 1-800-227-7437

PRODUCT REGISTRATION: You can register your product online at www.cac-bdp.com.

Model No. _____ Unit Serial No. _____

Date of Installation _____ Installed by _____

Name of Owner _____

Address of Installation _____

CAC / BDP (hereinafter "Company") warrants this product against failure due to defect in materials or workmanship under normal use and maintenance as follows. All warranty periods begin on the date of original installation. If a part fails due to defect during the applicable warranty period Company will provide a new or remanufactured part, at Company's option, to replace the failed defective part at no charge for the part. Alternatively, and at its option, the Company will allow a credit in the amount of the then factory selling price for a new equivalent part toward the retail purchase price of a new Company product. Except as otherwise stated herein, those are Company's exclusive obligations under this warranty for a product failure. This limited warranty is subject to all provisions, conditions, limitations and exclusions listed below and on the reverse (if any) of this document.

THIS WARRANTY DOES NOT COVER HUMIDIFIER WATER PADS – Humidifier water pads are considered wear items and are not covered by this warranty. The replacement costs of these pads are the responsibility of the humidifier owner. Additional exclusions are listed below or on the reverse, as applicable.

OWNER-OCCUPIED, RESIDENTIAL APPLICATIONS

This warranty is to the original purchasing owner and is transferable only to the extent and as stated in the Warranty Conditions and below. The warranty period in years, depending on the part and the claimant, is as shown in the chart below.

Product	Limited Warranty (Years)	
	Original Owner	Subsequent Owner
HUM Humidifier	10* (or 5)	10** (or 5)

* If properly registered within 90 days, otherwise 5 years (except in California and Quebec and other jurisdictions that prohibit warranty benefits conditioned on registration, registration is not required to obtain longer warranty periods). See Warranty Conditions below.

** If properly transferred within 90 days, otherwise 5 years. See Warranty Conditions below. In California and Quebec and other jurisdictions that prohibit warranty benefits conditioned on registration, registration is not required for a transfer and all warranty periods for subsequent owners are five years from original installation.

OTHER RESIDENTIAL APPLICATIONS (Apartments, Rental Properties, etc.)

The warranty period is five (5) years and is not transferable.

OTHER APPLICATIONS

This warranty is non-transferable. The warranty period is one (1) year on all such applications.

LEGAL REMEDIES - The owner **must** notify the Company in writing, by certified or registered letter to CAC / BDP, Warranty Claims, P.O. Box 4808, Syracuse, New York 13221, of any defect or complaint with the product, stating the defect or complaint and a specific request for repair, replacement, or other correction of the product under warranty, mailed at least thirty (30) days before pursuing any legal rights or remedies.

(continued on the following page)