

**FNCCAB and FILXXFNC
High Efficiency Fan Coil Filtration
Sizes 14, 17, 21 and 24**



Turn to the Experts.™

Product Data



A10045

FNCCAB Filter Cabinet

FILTER CABINET (FNCCAB)

MODEL NUMBER NOMENCLATURE

1	2	3	4	5	6	7	8	9	10	11	12
F	N	C	C	A	B	C	C	0	0	1	4
Product Type Fan Coil Filter Cabinet								Size 14 17 21 24			
Brand Carrier								Factory Assigned 00 - Not used			

Model FNCCAB

The FNCCAB Mechanical Air Cleaner cleans the air of dust, pollen, and smoke which helps keep homes cleaner and fresher longer.

FEATURES/BENEFITS

EASY FILTER ACCESS — Using the FNCCAB air cleaner allows homeowners easy filter access on their fan coil system. They will no longer have to go inside the fan coil to access or change the filter.

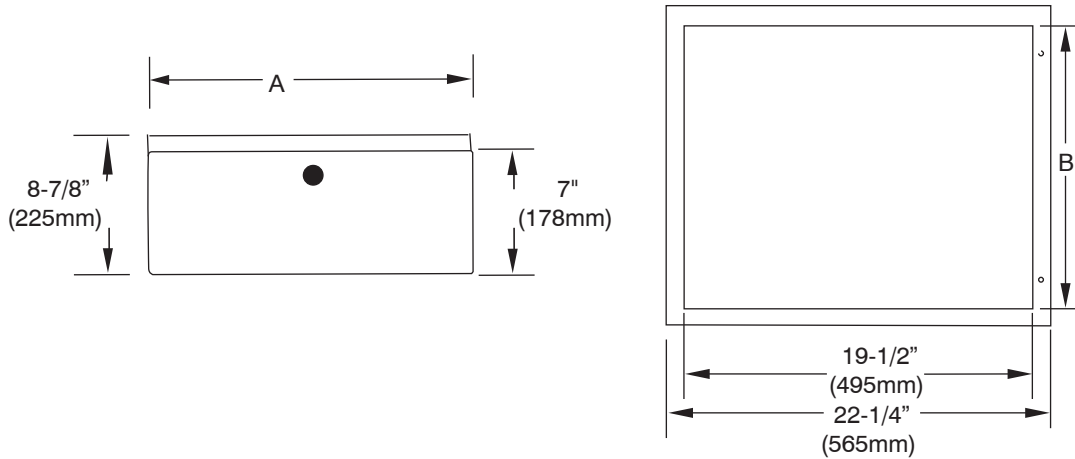
INSULATED CABINET — R4.2 insulation

IMPROVED INDOOR FILFNC AIR QUALITY (IAQ) — The FILFNC filter, included with the FNCCAB media cabinet, provides MERV 8 air cleaning efficiency for improved IAQ. For enhanced filtration, a MERV 11 option is available.

TROUBLE-FREE INSTALLATION — No electricity is required.

NEARLY MAINTENANCE FREE OPERATION — The only maintenance required is replacing the media filter cartridge when needed – before each heating or cooling season or at least twice a year, depending on conditions.

DIMENSIONS



A09651

MODELS	FNCCABCC0014	FNCCABCC0017	FNCCABCC0021	FNCCABCC0024
Airflow (CFM) Range	600–900	600–1350	600–2000	600–2200
A	14–5/16" (364mm)	17–5/8" (448mm)	21–1/8" (537mm)	24–5/8" (625mm)
B	11" (279mm)	14–11/32" (364mm)	17–7/8" (454mm)	21–11/32" (542mm)

**FAN COIL FILTER (FILXXFNC)
MODEL NUMBER NOMENCLATURE**

	1	2	3	4	5	6	7	8	9	10	11	12
	F	I	L	X	X	F	N	C	0	0	1	4
Product Type Media Filter											Size 14 17 21 24	
Brand Non-Branded												
Type FNC = Fan Coil Application Filter											MERV 0 - MERV 8 1 - MERV 11	
											Factory Assigned 0 = Not Used	

Model FILXXFNC

This filter’s Minimum Efficiency Reporting Value (MERV) is specified by ASHRAE Standard 52.2. It is based on lab tests to determine the filter’s ability to trap particles. MERVs for residential filters will typically be in the range of MERV 1-13. The higher the value, the more efficient the filter. MERV 8 filters have a minimum of 70% particle collection efficiency in the 3-10 micron particle size range. (Human hair is approximately 50-100 microns in diameter.) All four sizes of filters reach a MERV 8. For enhanced filtration, a MERV 11 option is available.

FEATURES/BENEFITS

LARGE DUST HOLDING CAPACITY — These filters accommodate between 13 and 25 sq. ft. of filter media into a

unique low-pressure drop design — providing some of the largest dust-holding capacities available in efficient residential air cleaners today.

The exceptionally large surface area traps dust, pollen, molds, tobacco smoke, grease, soot, bacteria, and animal dander to provide cleaner, fresher air that is free of airborne pollutants and irritants regardless of the season.

EXCEPTIONAL SYSTEM PERFORMANCE — For optimum system performance use the FNCCAB & Carrier FILXXFNC high efficiency media filters designed especially for Carrier furnaces.

REPLACEMENT FILTERS

REPLACEMENT FILTERS ORDER NUMBER				
MERV 8	FILXXFNC0014	FILXXFNC0017	FILXXFNC0021	FILXXFNC0024
MERV 11	FILXXFNC0114	FILXXFNC0117	FILXXFNC0121	FILXXFNC0124
Quantity per Carton	2	2	2	2

DIMENSIONS

PRODUCT NUMBER	MEDIA AREA (GROSS)	DIMENSIONS In. (mm) TOLERANCE +/-0.125" (3mm)
FILXXFNC0014 / FILXXFNC0114	≥13.05 sq. ft (1.2 sq. m)	19.8125 x 12.175 x 4.3125 (503.2 x 309.2 x 109.5)
FILXXFNC0017 / FILXXFNC0117	≥17.8 sq. ft. (1.7 sq. m)	19.8125 x 15.625 x 4.3125 (503.2 x 396.8 x 109.5)
FILXXFNC0021 / FILXXFNC0121	≥20.17 sq. ft. (1.9 sq.m)	19.8125 x 19.125 x 4.3125 (503.2 x 485.7 x 109.5)
FILXXFNC0024 / FILXXFNC0124	≥24.9 sq. ft. (2.3 sq. m)	19.8125 x 22.625 x 4.3125 (503.2 x 574.6 x 109.5)

FAN COIL FILTER (FILXXFNC) - cont.

PHYSICAL DATA

SIZE	014 / 114	017 / 117	021 / 121	024 / 124
Rated Airflow	900 / 900	1350 / 1350	2000 / 1800	2200 / 2000
MERV	8 / 11	8 / 11	8 / 11	8 / 11
Typical Static Pressure Drop (in. wc.) (Clean@rated airflow)	.20 / .20	.23 / .24	.28 / .30	.25 / .25
Filter Media	Polyolefin / Polypropylene polyethylene			
Shipping Weight (2 pack)	5-lb. (2.3 kg.)	6-lb. (2.7 kg.)	6.5-lb (2.9 kg.)	7-lb (3.2 kg.)

PLEATED MEDIA FILTER	MERV 8 EFFICIENCY ¹	MERV 11 EFFICIENCY ¹
14-in. FILXXFNC0014 / FILXXFNC0114	E1: 24.4%	E1: 43.0%
	E2: 55.4%	E2: 71.6%
	E3: 70.9%	E3: 89.6%
17-in. FILXXFNC0017 / FILXXFNC117	E1: 24.4%	E1: 43.0%
	E2: 55.4%	E2: 71.6%
	E3: 70.9%	E3: 89.6%
21-in. FILXXFNC0021 / FILXXFNC0121	E1: 24.4%	E1: 43.0%
	E2: 55.4%	E2: 71.6%
	E3: 70.9%	E3: 89.6%
24-in. FILXXFNC0024 / FILXXFNC0124	E1: 24.4%	E1: 43.0%
	E2: 55.4%	E2: 71.6%
	E3: 70.9%	E3: 89.6%

NOTES:

1. Minimum Efficiency Reporting Value (MERV) per ASHRAE 52.2 (Exceeds proposed ASHRAE 62.2p requirement for manufacturers to provide a filter with a MERV rating of at least 6.

E1: MINIMUM Average Efficiency for particles sized between 0.3 and 1 micron.

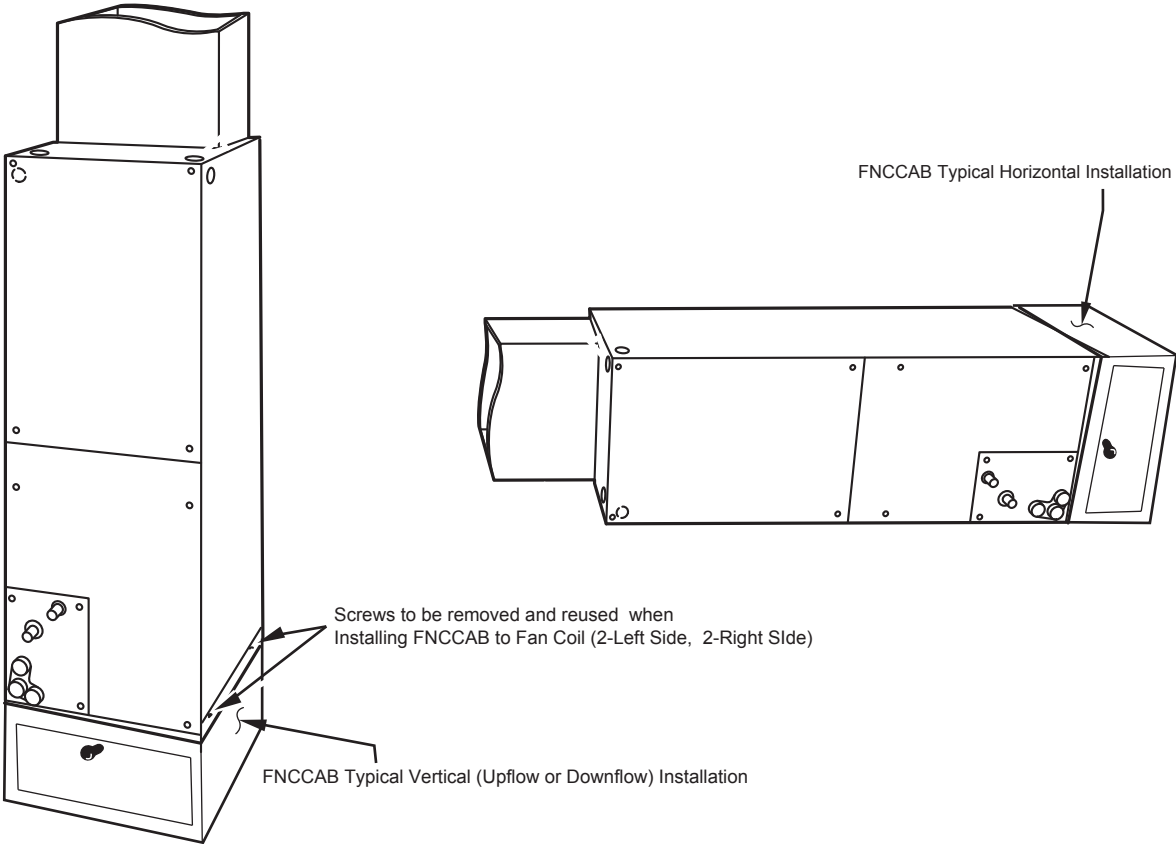
E2: MINIMUM Average Efficiency for particles sized between 1 and 3 microns.

E3: MINIMUM Average Efficiency for particles sized between 3 and 10 microns.

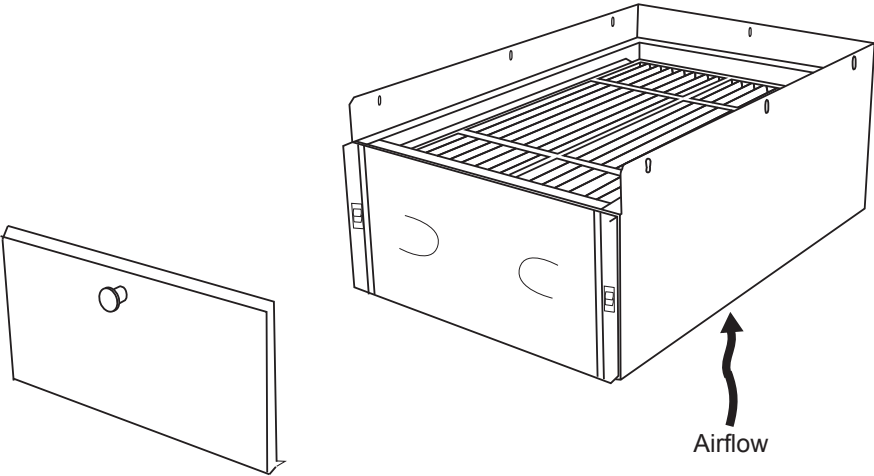
PRESSURE DROP AT VARIOUS AIRFLOWS (CLEAN)

AIR FLOW (CFM) RANGE	TYPICAL PRESSURE DROP				
	FACTORY SUPPLIED FILTER	FILXXFNC0014 / FILXXFNC0114	FILXXFNC0017 / FILXXFNC0117	FILXXFNC0021 / FILXXFNC0121	FILXXFNC0024 / FILXXFNC0124
	RESISTANCE (IN. W.C.)				
600	.044	.120 / .120	.060 / .060	.040 / .050	.015 / .030
800	.075	.150 / .150	.090 / .095	.060 / .080	.030 / .050
1000	.072	.250 / .250	.125 / .140	.070 / .110	.040 / .075
1200	.100	—	.180 / .190	.090 / .150	.060 / .100
1400	.092	—	.250 / .250	.140 / .190	.090 / .130
1600	.120	—	—	.187 / .250	.125 / .160
1800	.152	—	—	.230 / .300	.150 / .200
2000	.187	—	—	.280 / —	.190 / .250
2200	—	—	—	—	.250 / —

TYPICAL INSTALLATIONS



C04029



Install FILFNC Media Filter Cartridge in the FNCCAB Media Filter Cabinet.

C04033A

