

OIL FIRED CAST IRON  
HOT WATER BOILER

**PARTS, KITS &  
OPTIONAL ACCESSORIES**

**Models (Series C)**

BW4BAH-91  
BW4RAH-91  
BW5BAH-91  
BW5RAH-91

BW4BAH-126  
BW4RAH-126  
BW5BAH-126  
BW5RAH-126

BW4BAH-168  
BW4RAH-168  
BW5BAH-168  
BW5RAH-168

BW4BAH-105  
BW4RAH-105  
BW5BAH-105  
BW5RAH-105

BW4BAH-175  
BW5RAH-175  
BW5BAH-175  
BW5RAH-175

BW4BAH-245  
BW4RAH-245  
BW5BAH-245  
BW5RAH-245

BW4BAH-140  
BW4RAH-140  
BW5BAH-140  
BW5RAH-140

BW4BAH-210  
BW4RAH-210  
BW5BAH-210  
BW5RAH-210



*Select Models*



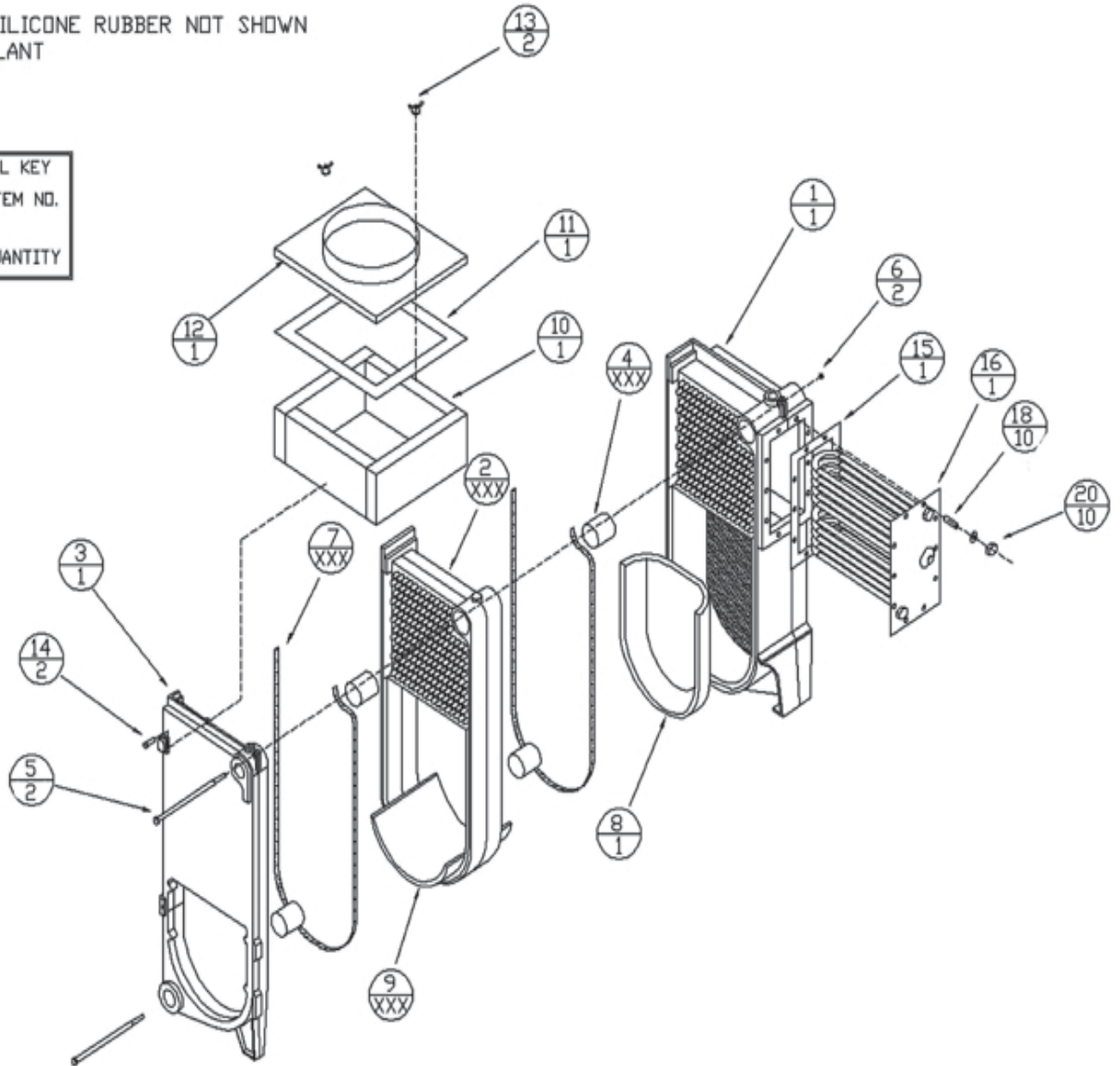
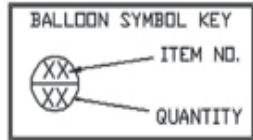
**CAC/BDP**  
7310 West Morris St.  
Indianapolis, IN. 46231

## REPAIR PARTS

$\frac{17}{1}$  COVER PLATE FOR BOILERS WITHOUT TANKLESS COIL NOT SHOWN

$\frac{21}{2}$  1 1/4" SQUARE HEAD PLUGS NOT SHOWN

$\frac{22}{XXX}$  400°F BLACK SILICONE RUBBER NOT SHOWN  
ADHESIVE SEALANT



## REPAIR PARTS

| ITEM | DESCRIPTION   | 3 Section | 4 Section | 5 Section |
|------|---|-----------|-----------|-----------|
| 1    | Water Boiler Back Section                                     | 40300008  | 40300008  | 40300008  |
| 2    | Water Boiler Middle Section                                   | 40300007  | 40300007  | 40300007  |
| 3    | Water Front Section   | 40300006  | 40300006  | 40300006  |
| 4*   | Cast Iron Machined Nipples 2"                                 | 43300976  | 43300976  | 43300976  |
| 5*   | 1/4" Tie Rods   | 14605002  | 14605051  | 14605053  |
| 6    | Tie Rods 1/4"20 Hex Head Nut                                  | HW-003.02 | HW-003.02 | HW-003.02 |
| 7*   | 5/16" x 701/2" Braided Rope                                   | 43300955  | 43300955  | 43300955  |
| 8    | Target Wall   | 14619003  | 14619003  | 14619003  |
| 9*   | 1/2" thick Durablanket  | 14630031  | 14630031  | 14630031  |
| 10   | Collector Complete <i>(plus item 11, 12, 13)</i>              | 42500279  | 42500280  | 42500281  |
| 11   | Insulation Tape <i>(plus items 10, 12, 13)</i>                | 42500279  | 42500280  | 42500281  |
| 12   | Collector Top <i>(plus items 10,11,13)</i>                    | 42500279  | 42500280  | 42500281  |
| 13   | 8/32" Brass Wing Nut  | 13704007  | 13704007  | 13704007  |
| 14   | 5/16 X 1¼ Type A Hex Washer Head Screw                        | 14695039  | 14695039  | 14695039  |
| 15** | Coil Gasket   | 240007071 | 240007071 | 240007071 |
| 16** | 3.7 GPM Tankless Coil   | 14627020  | 14627020  | 14627020  |
| 17   | Coil Housing Cover Plate <i>(not shown)</i>                   | 43300256  | 43300256  | 43300256  |
| 18** | Stainless Steel 3/8"16 x 11/2" Stud                           | 14695113  | 14695113  | 14695113  |
| 20** | Stainless Steel 3/8" Top Lock Nut                             | 1330008   | 1330008   | 1330008   |
| 21   | 1¼" Solid Plug <i>(not shown)</i>                             | 1395002   | 1395002   | 1395002   |
| 22   | Black Silicone Sealant <i>(not shown)</i>                     | 240006837 | 240006837 | 240006837 |
| ‡    | Battery   | 40300303  | 40300403  | 40300503  |
| ‡    | **Replacement Coil Kit <i>(contains items 15, 16, 18, 20)</i> | 43360408  | 43360408  | 43360408  |

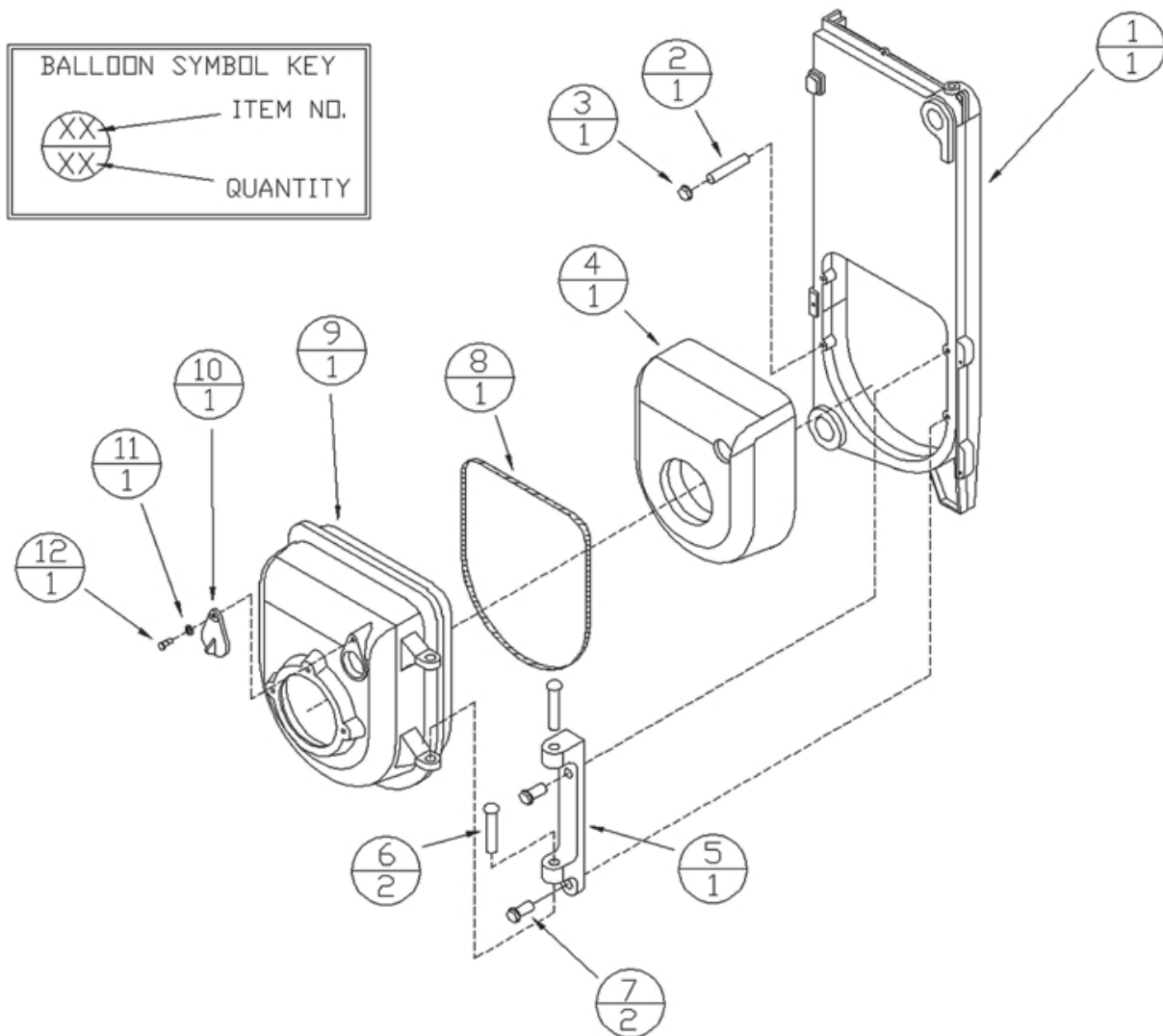
\* Note: Item quantities marked XXX vary depending upon the number of sections. Four cast iron nipples for first middle replacement section and two for each additional section. Durablanket is sold as one oversized piece to be cut to fit the appropriate boiler 6" x 12" (3 section), 9" X 20" (4 section), 12" X 20" (5 section). Black silicone sealant is sold in 10.1 oz. Cartridges.

‡ Not illustrated.

## ACCESSORIES

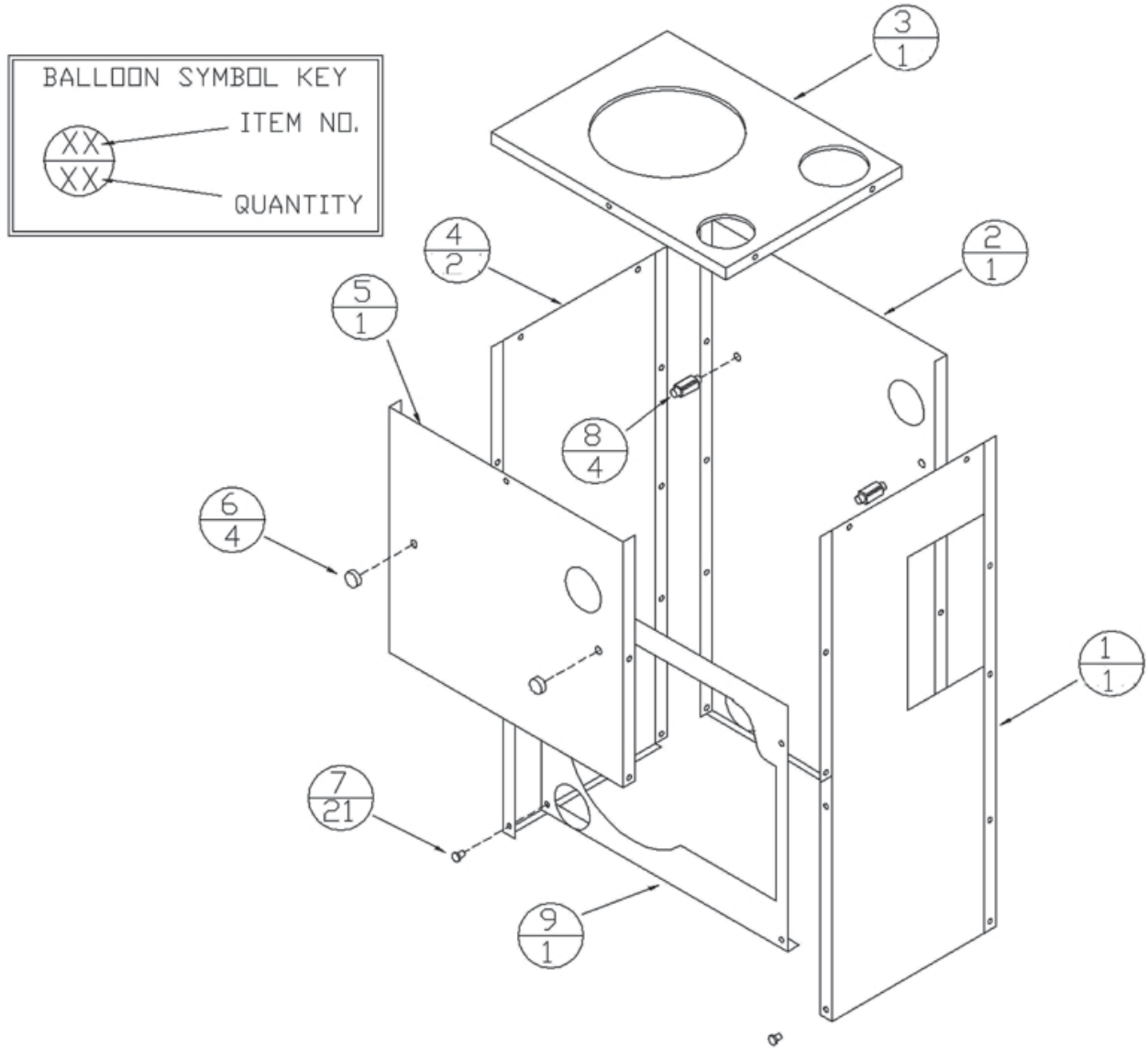
| DESCRIPTION   | PART #       |
|---|--------------|
| Filltrol Package (Up to 150,000 BTUH)(Includes Air Purge Extrol Tank and Fill Valve)                                  | KBAFP0201DNK |
| Filltrol Package (Over 150,000 BTUH) (Includes Air Purge Extrol Tank and Fill Valve)                                  | KBAFP0301DNK |
| * High Limit Control  | KBAHL0101DNK |
| Tankless Water Heater Kit   | KBATH0101DNK |
| Combustible Floor Base, 24" x 30"   | KBASB0301DNK |
| Low Water Cut-off Kit   | KBALW0101DNK |
| Low Fire Rate Kit (FO Head) (91,000 BTUH input BW4B/BW5B)   | KBALF0101DNK |
| Low Fire Rate Kit (F3 Head) (126,000 BTUH input BW4B/BW5B)  | KBALF0201DNK |
| * Accessory High Limit Control is a strap on aquastat used as an auxiliary limit or reverse acting circulator control |              |

## REPAIR PARTS



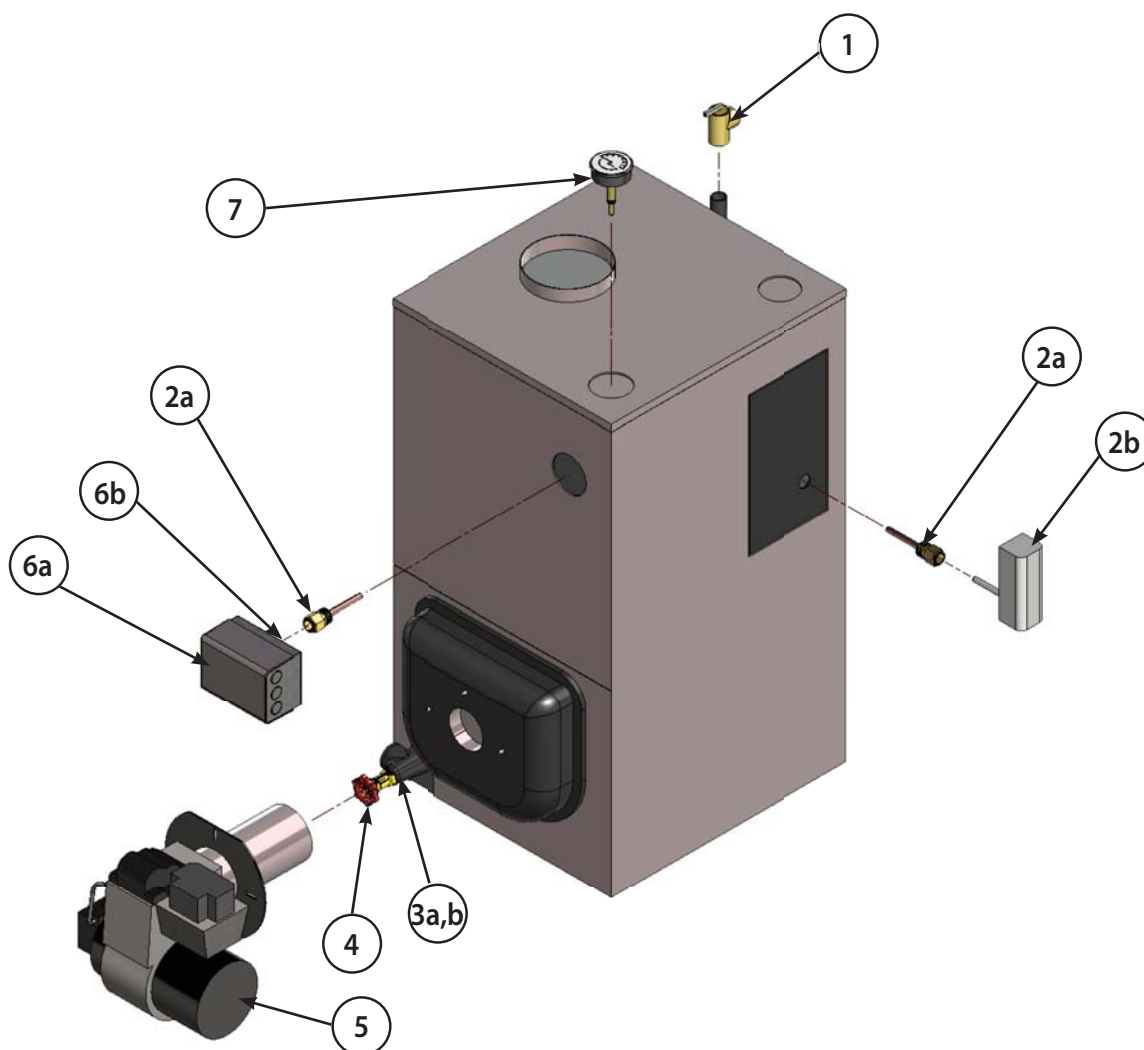
| ITEM | DESCRIPTION                               | PART#    |
|------|---|----------|
| 1    | Water Front Section                       | 40300006 |
| 2    | 3/8" - 16 X 2-1/4" stud                   | 14695125 |
| 3    | 3/8" Whizlock Nut                         | 14695126 |
| 4    | Swing Door Insulation                     | 14614014 |
| 5    | Swing Door Hinge                          | 40300010 |
| 6    | 1/4" x 2" Round Head Rivet                | 14695121 |
| 7    | 3/8" x 1" Hex Head Serrated Flange Bolt   | 14695124 |
| 8    | 3/8" x 48" Round Braid                    | 43300905 |
| 9    | Swing Door                                | 40300009 |
| 10   | Observation Door                          | 40300014 |
| 11   | 5/16" Lock Washer                         | 14695123 |
| 12   | 3/8" x 3/8" Shoulder Bolt 5/16"-18 Thread | 14695122 |

## REPAIR PARTS



| ITEM | DESCRIPTION                                    | 3 Section  | 4 Section  | 5 Section  |
|------|--|------------|------------|------------|
| 1    | Right Side Jacket Panel                        | 42570244AB | 42570245AB | 42570246AB |
| 2    | Back jacket Panel                              | 42570269AB | 42570269AB | 42570269AB |
| 3    | Top jacket Panel                               | 42570254AB | 42570255AB | 42570256AB |
| 4    | Left Side Jacket Panel                         | 42570264AB | 42570265AB | 42570266AB |
| 5    | Upper Side Jacket Panel                        | 42570267AB | 42570267AB | 42700267AB |
| 6    | 5/16" Acorn Nut                                | 14695042   | 14695042   | 14695042   |
| 7    | #10 x 1/2" Jacket Screw                        | 14695074   | 14695074   | 14695074   |
| 8    | Stand Off                                      | 14695103   | 14695103   | 14695103   |
| 9    | Lower Front Jacket Panel (boiler w/swing door) | 42570268AB | 42570268AB | 42570268AB |
| XX   | Complete Jacket for Boiler with Swing Door     | 42670289AB | 42670290AB | 42670291AB |

## REPAIR PARTS



| ITEM | DESCRIPTION                                    | 3 Section | 4 Section | 5 Section |
|------|--|-----------|-----------|-----------|
| 1    | ¾" Safety Relief Valve                         | 14622011  | 14622011  | 14622011  |
| 2a   | Well, ¾" x 1½", Honeywell 123870A              | 1635001   |           |           |
| 2b   | Low Limit Control (BW5 - w/Tankless Coil Only) | AQ-008.00 |           |           |
| 3a   | 1¼" x 2½" Pipe Nipple                          | 14607044  | 14607044  | 14607044  |
| 3b   | 1¼" x ¾" x 1¼" Reducing Tee                    | 1510001   | 1510001   | 1510001   |
| 4    | ¾" Drain Valve                                 | 240009323 | 240009323 | 240009323 |
| 5    | Oil Burner, Beckett AFG                        | 1050036   | 1050037   | 1050038   |
|      | Oil Burner, Riello                             | 1050006   | 1050006   | 14619011  |
| 6a   | Limit, Honeywell L7248L                        | 240009128 |           |           |
| 6b   | Sensor, Honeywell 50001464-001                 | 240007686 |           |           |
| 7    | Temperature/Pressure Gauge 2" Stem             | 1260006   | 1260006   | 1260006   |
| *    | Taco 007 Circulator                            | CI-001.03 |           |           |

\* Not Shown

## BECKETT OIL BURNER, NOZZLE AND AIR SETTING

| BOILER MODEL    | DELEVAN OIL NOZZLE | INPUT RATE (gph) | HEAD-ADJ. OR SETTING | LOW FIRE BAFFLE | AIR SHUTTER/BAND | STATIC PLATE | BURNER MODEL | RERATE KIT   |
|-----------------|--------------------|------------------|----------------------|-----------------|------------------|--------------|--------------|--------------|
| BW(4,5) BAH-91* | 0.50-80° B         | 0.65             | F0 - 1 1/8           | YES             | 10/0             | 3 5/8        | AFG F-HEAD   | KBALF0301DNK |
| BW(4,5) BAH-105 | 0.65-70° B         | 0.75             | F3 - 1 1/8           | YES             | 10/0             | 3 1/2        | AFG F-HEAD   | KBALF0401DNK |
| BW(4,5) BAH-140 | 0.85-70° B         | 1.00             | F3 - 1 1/8           | NO              | 10/2             | 3 1/2        | AFG F-HEAD   | KBALF0501DNK |
| BW(4,5) BAH-126 | 0.75-80° A         | 0.90             | F3 - 1 1/8           | NO              | 8/0              | 3 1/2        | AFG F-HEAD   | KBALF0601DNK |
| BW(4,5) BAH-175 | 1.00-80° A         | 1.25             | F6 - 1 1/8           | NO              | 10/0             | 3 5/8        | AFG F-HEAD   | KBALF0701DNK |
| BW(4,5) BAH-210 | 1.25-80° A         | 1.50             | F6 - 1 1/8           | NO              | 10/2             | 3 5/8        | AFG F-HEAD   | KBALF0801DNK |
| BW(4,5) BAH-168 | 1.00-60° B         | 1.20             | 0                    | NO              | 10/1.5           | 2 3/4        | AFG 50 MD    | KBALF0901DNK |
| BW(4,5) BAH-245 | 1.50-45° B         | 1.75             | 2                    | NO              | 10/4             | 2 3/4        | AFG 50 MD    |              |

\*To fire the 3 section 91 on rate, the oil pressure must be increased to 175 psig. All Beckett oil burners for the BW boilers are factory preset at 140 psig.

## RIELLO OIL BURNER, NOZZLE AND AIR SETTING

| BOILER MODEL    | DELEVAN OIL NOZZLE | INPUT RATE (gph) | TURBULATOR/AIR SHUTTER SETTING | OIL PRESSURE (PSIG)* | BURNER MODEL | RERATE KIT   |
|-----------------|--------------------|------------------|--------------------------------|----------------------|--------------|--------------|
| BW(4,5) RAH-91* | 0.50-70° W         | 0.65             | 0.50/2.0                       | 155                  | F5           | KBALF1001DNK |
| BW(4,5) RAH-105 | 0.65-70° W         | 0.75             | 2.0/2.2                        | 150                  | F5           |              |
| BW(4,5) RAH-140 | 0.85-70° W         | 1.00             | 2.0/3.2                        | 170                  | F5           |              |
| BW(4,5) RAH-126 | 0.75-70° W         | 0.90             | 1.5/2.6                        | 160                  | F5           | KBALF1101DNK |
| BW(4,5) RAH-175 | 1.00-70° W         | 1.25             | 2.5/3.8                        | 170                  | F5           |              |
| BW(4,5) RAH-210 | 1.25-70° W         | 1.50             | 4.0/7.0                        | 175                  | F5           |              |
| BW(4,5) RAH-245 | 1.50-70° W         | 1.75             | 2.0/3.8                        | 155                  | F10          | KBALF1201DNK |

\*All Riello 40 F5 and F10 oil burner are factory preset at 145 psig.

**NOTE: All burners use an insertion depth of 2 1/4" and fired at a over-fire draft of 0.02 inches w.c. The burner settings provided are intended for initial start up only. Final adjustment must be made using combustion test instruments.**

**CAC/BDP**  
7310 West Morris St.  
Indianapolis, IN. 46231