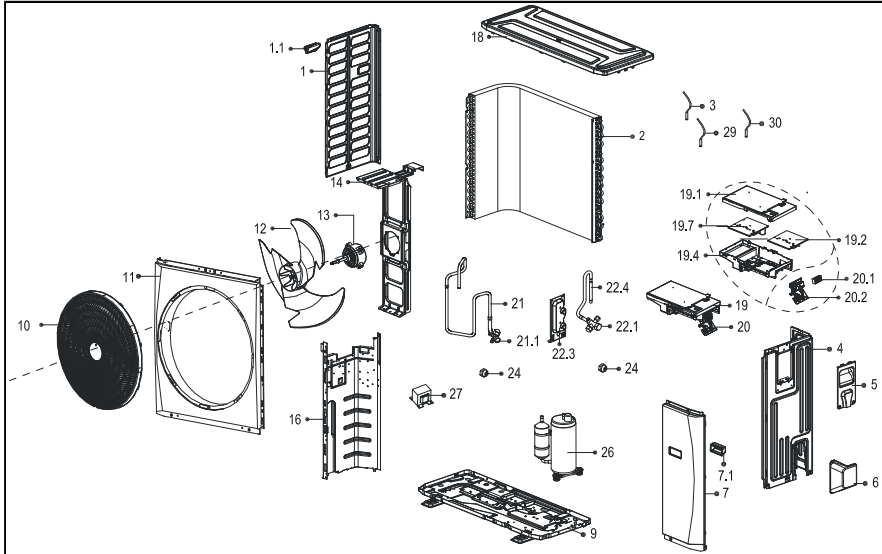


## Midea RAC Exploded View

MOD80-28CFN1-QC2W  
 CA-KF80W/BP3N1-D80(C2)-W  
 22022016007883  
 220\_240V\_1Ph,FREQUENCY\_50HZ

Export Time: 2016-06-12 14:04:30



No.	Part Name	Quantity	BOM Code	Remark
1	Components of left panel	1.0	1222500000539	
1.1	Small Handle	1.0	12100701000033	
2	Condenser assembly	1.0	15823000001665	
3	Temperature Sensor	1.0	11201007000006	CGQ-WD/GW4100-L1300-SMP3B-P1000
4	Parts of Rear Right Side Plate	1.0	1222500000534	
5	Big Handle.	1.0	12222000001115	
6	Water Collecting Cover	1.0	12122200002695	
7	Front right clapboard assembly	1.0	12222500000772	
7.1	Little Handle	1.0	12100702000038	
9	Chassis assembly	1.0	12222000004762	
10	Air outlet grille	1.0	121220000014401	
11	Front panel	1.0	12222000006224	
12	Axial fan	1.0	12100105000084	ZL-560*139*12-3KN
13	Brushless DC Motor	1.0	11002015000247	ZKFN-120-8-2
14	Supporter assembly of fan motor	1.0	12222500001152	
16	Separator Assembly	1.0	12222200001156	
18	Top cover assembly	1.0	12222500000541	
19	Electronic control box assembly	1.0	172220000014971	CA-KF80W/BP3N1-D01(C2)-W.JD.FW.WXWKB.DK1.1
19.1	Electric Installing Box Cover	1.0	12122000006905	
19.2	Outdoor main control board assembly	1.0	MD-17122000025792	CA-KF80W/BP3N1-D01(C2)-W.ZD.JFW.WXWK2.WK2.1
19.4	Electric Installing Box	1.0	12122300000170	
19.7	Inverter control board assembly	1.0	MD-17122300001552	IL-KFR80W/BP3T4N1-350(SIM6822).D.13.MK2.1
20	Terminal board assembly	1.0	172220000010355	
20.1	Wire holder	1.0	17400401000016	JXZ-PG6H-A
20.2	Wiring terminal installing plate	1.0	12222200001476	
21	Low Pressure Valve assembly	1.0	15422000008312	
21.1	Stop valve	1.0	15500204000025	DYF-C15N1
22	Liquid valve Assembly	1.0	15422000008292	
22.1	Low Pressure Valve	1.0	15500204000021	DYF-A28N
22.3	Installation plate for valves	1.0	12222200002110	
22.4	Throttling valve	1.0	15500210000087	JLF(G)-056-W8-N6
24	Copper nut	1.0	15500406000010	TLM-B02
24	Copper net	1.0	15500406000003	TLM-D04
26	Inverter Controlled Rotary Compressor	1.0	11103020000179	ATF235D22UMT(美芝)
27	Reactor	1.0	MD-17400306000058	R25027(AL)(J)
29	Discharge temperature sensor assembly	1.0	MD-11201007000246	CGQ-WD/PQ3950-L1000-XAP2B-G800
30	Room Temperature Sensor	1.0	11201007000039	CGQ-WD/SW4100-L850-SMP2-P650
32	Compressor exhaust pipe Assembly	1.0	151220000015215	