



# Product Specification

# EDGE® Pro Programmable Commercial Thermostat

Part Numbers 33CS2PPRH-03 and 33CS2PP2S-03



Carrier's Edge® Pro commercial programmable thermostats offer:

- sleek design with simplified two-wire installation
- 2-stage heat/2-stage cool with one stage auxiliary heat (air conditioning, heat pump, and water source heat pump units)
- humidity control capability (with 33CS2PPRH-03 thermostat only) integrates with Humidi-MiZer® dehumidification system
- Hybrid Heat® dual fuel system compatible (33CS2PP2S-03)
- proportional integral control of heating and cooling stages
- compressor lockout in emergency heat mode for heat pumps
- auxiliary heat lockout sensing for heat pumps (requires outdoor air sensor)
- remote sensing and averaging with occupancy override
- keypad lockout security with passcode protection
- heating and cooling set points with up to 6 hours of occupancy override
- 7-day, 5/2-day, or 1-day programmable or non-programmable
- 4 or 2 periods per day selectable
- UV light and filter service reminder
- random start, smart recovery
- dry contact enables economizer control

## Features/Benefits

**Carrier's flexible 7-day, 5/2-day, or 1-day commercial programmable thermostats offer quality and reliability.**

The wall-mounted, low-voltage thermostat maintains room temperature by controlling the operation of an HVAC (heating, cooling and ventilation) system. Separate heating and cooling set points and auto-changeover capability allow occupied and unoccupied programming for energy savings.

# Specifications



The thermostat allows up to 4 time/temperature settings to be programmed in 24-hour intervals with daylight savings adjustment. The thermostat stores schedules for 7 independent days and batteries are not required. In the event of power interruption, the internal memory stores comfort schedules for an unlimited time. The clock will continue to run for 24 hours.

Expanded backlit display includes English/metric unit selection and features mode and equipment status, occupancy, time of day, and outdoor-air temperature. In hospitality mode, the display will show user set point in place of actual temperature.

The Edge® Pro commercial programmable thermostat is capable of constant fan operation for 24 hours during continuous occupancy. During this time, the thermostat can be programmed and set points can be adjusted using occupied and unoccupied schedules. Additionally, the thermostat is capable of displaying outside or supply-air temperature using the remote sensor input.

NOTE: Designed and assembled in the U.S.A.

## Physical characteristics

Dimensions (L x W x D):

Single piece installation: 5.2-in. (132.08 mm) x 5.2-in. (132.08 mm) x 1.3-in. (32.02 mm)

Two-piece installation:

Display: 5.2-in. (132.08 mm) x 5.2-in. (132.08 mm) x 0.9-in. (22.86 mm)

Control module: 5.2-in. (132.08 mm) x 5.2-in. (132.08 mm) x 1.0-in. (25.4 mm)

Appearance: plastic material; silver metallic color; smooth cover

Weight: approx.  $\frac{3}{4}$  lb (single piece installation) or  $\frac{1}{2}$  lb (display only of two-piece installation)

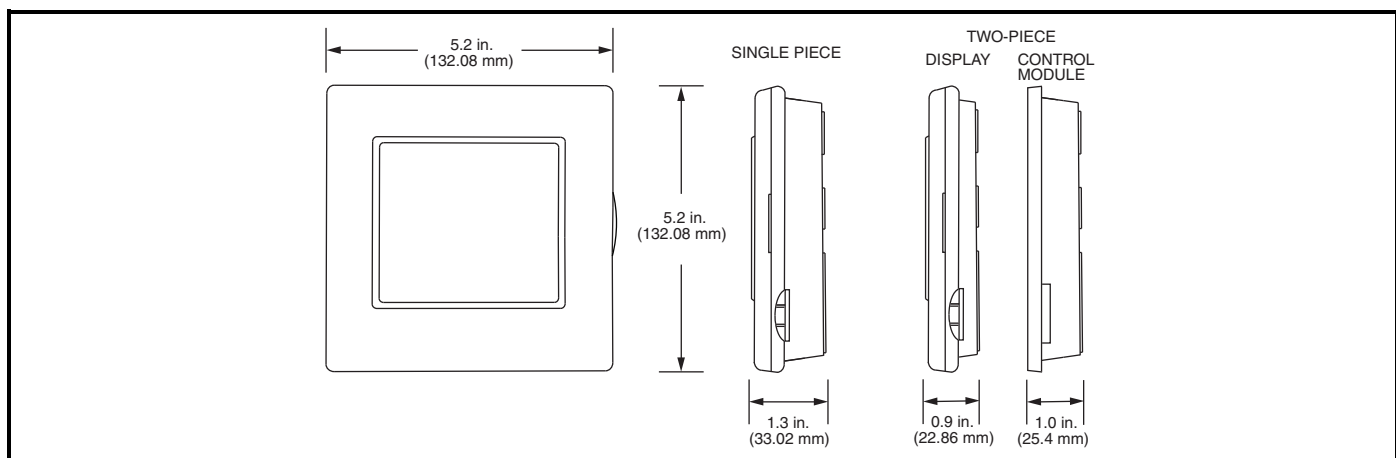
Lead-free design

## Power requirement

24 vac 50/60 Hz at 3 va RC/RH compatible

No batteries are required

## Dimensions



## Environmental requirements

Temperature (display module):

Operating: 32 to 104 F (0° to 40 C)

Storage: -40 to 158 F (-40 to 70 C)

Temperature (control module):

Operating: -4 to 158 F (-20 to 70 C)

Storage: -40 to 158 F (-40 to 70 C)

Humidity: 0 to 95% RH (relative humidity), non-condensing

For indoor installations only

## Agency approvals

FCC Part 15, Subpart J compliant

Title 24 compliant

## Electrical characteristics

Inputs: 24 vac, 50/60 Hz, 3 va

Outputs:

Minimum Load = 1000 ohms

Maximum Load = 2.0 A, 50% pf (power factor)

Inductive

Nominal Load Capacity = 1.5 Amps

## Temperature control

The thermostat uses proportional integral calculation to determine the number of stages required for heating or cooling to provide accurate temperature control.

## Accessories

Remote space sensor with occupancy override button (33ZCT55SPT)

Outdoor temperature sensor (33ZCSENOAT)

Supply/return air sensor (33ZCSSENSAT)

