

## Index

General Notes .....	2
Significance Chart .....	3
Pictorials & Details .....	4-18
2 Cyl. AC/MT Models Parts Breakdown .....	19
4 Cyl. AC/MT Models Parts Breakdown .....	25
6 Cyl. AC/MT Models Parts Breakdown .....	35
2 & 4 Cyl. Refrig Models Parts Breakdown .....	44
6 Cyl. Refrig Models Parts Breakdown .....	52

## 06D General Notes

### I. Service Replacement Compressor Nameplating:

06DA--0 and 06DM--0 (no unloaders) are replaced by and nameplated 06DM--6 or 7. 06DB, C, D, E--0 (with hot gas by-pass unloading) are replaced by and nameplated 06DX--6 or 7. (See Note V for model number significance.)

06DX four and six cylinder models are shipped with a HGBP type valve plate on the right hand bank as viewed from pump end. Depending on availability the unloader cylinder head may or may not be included. If included and left as is compressor operates fully loaded. If standard head is included you must replace with unloader head assembly from original compressor. If two unloaders were used (6 cyl only) the second unloader head & valve plate must be transferred or ordered. Note that unloader valves are not included on service model compressors.

There is no service model with a plugged suction cut off cylinder head yet available. Order 06DM and replace cylinder head or heads with those from original compressor. No special valve plate required when using SCOU capacity control.

- II. All 06DM and 06DX replacement compressors will be shipped less service valves. They will also be less the *terminal box with overloads*. This means that these parts *must be removed from the original compressor and installed* on the replacement compressor. Refrigeration models are also less cooling fan.

If the original compressor is to be removed from the job before the replacement arrives, *ensure* that these parts are kept available for the replacement. If any of these parts are damaged or defective, new parts should be ordered at the same time as the replacement compressor.

- III. The replacement compressors listed are for those in current production. They will replace existing field compressors as follows:

### IV. Voltage:

200-3-60 and 230-3-60 discrete voltage 6-cylinder compressors (820, 724, 228, 337) will be replaced by the new extended voltage 208/230-3-60 6-cylinder compressors. The overloads are selected from the 208/230-3-60 listing.

### V. Selection of Models with and without Unloaders: (2-cylinder models have no unloaders).

#### A. Models with no unloaders (2 & 4 cylinder):

Original compressors may be 06DA or 06DM. Where each was built in the same size (example: 06DA313 and 06DM313), they will be listed as 06(. Example: 06D ( ) 409-- (2 cyl.); 06D ( ) 313-- (4 cyl.). *Replacement for either will be the 06DM.*

#### B. Models with unloaders (4 cylinder):

Original compressors may be 06DB, 06DC, 06DD or 06DE. They will be listed as 06D(. *The service replacement will be the 06DX.*

#### C. Models with and without unloaders (6 cyl.):

##### Models without unloaders:

Original compressors may be 06DA or 06DM. They will be replaced by the 06DM.

##### Models with unloaders:

Original compressors may be 06DB, 06DC, 06DD or 06DE. They will be replaced by the 06DX.

For ease of selection, both the original and replacement compressor will be shown as 06D(. Example: 06( ) 337--.

### VI. Dalton Crankcase Locking Stator - 6 Cylinder:

Occasionally 6-cylinder Dalton crankcases may have an oversize crankcase stator bore. (The Dalton crankcase is identified by the 1/2" high part number on top of the casting on the motor end "6D68-1009A".) The stator may be secured by drilling and assembling a 3/8"-16 x 1-1/4" long Allen set screw with 1/2" dog point and a 3/8"-16 acorn nut in pkg 06DA660102.

### VII. Model Part Number Significance:

The following chart is included to assist in model recognition and to aid in selecting replacement parts.

### COMPRESSOR MODEL NUMBER SIGNIFICANCE CHART

	PRODUCT SERIES			VARIATION		MOTOR SIZE		DISPLACEMENT CFM		KEY NUMBER		SUCTION VALVE & A/E COVER		OVERLOADS & INT'L STAT		ELECTRICAL		FUTURE DESIGN		MODEL PACKAGING	
<b>MODEL</b>	0	6	D	A	3	1	6	0	B	A	0	5	0	0							
<b>DIGIT</b>	1	2	3	4	5	6	7	8	9	10	11	12	13	14							

**1st, 2nd & 3rd DIGITS**  
06D HERMETIC RECIP  
COMPRESSOR

6th & 7th DIGITS	CRANKCASE ASSEMBLY	NO. OF CYL	CYL BORE
7	6D20-249	2	1-13/16
8	6D23-249	2	2
9	6D23-249	2	2
13*	6D40-259	4	2
16	6D43-259	4	2
18	6D46-249	4	2
20	6D48-249	4	2
24	6D68-259	6	2
26	6D75-259	6	2
37	6D75-259	6	2

\*WAS 1-13/16 BORE

**13th DIGIT FUTURE DESIGN**

0	ORIGINAL DESIGN
1	AIR COND & REFRIG
2	STD CLEAR MED TEMP
3	LO CLEARANCE A/C & MED TEMP

**4th DIGIT VARIATION**

LETTER	STANDARD SERVICE		BOTH	DESCRIPTION
	STANDARD	SERVICE		
A	X			NO UNLOADERS
B	X			ELEC UNLOADER
C	X			HGBP
D	X			PRESS UNLOADER
E	X			HGBP
F	X			ELEC UNLOADER
G	X			SCOU
M			X	MED TEMP NO UNLOADERS REPLACES ALL 'A' IN SERVICE
R			X	REFER - NO UNLOADERS
X		X		PLUGGED HD - REPLACES B, C, D & E
H	X			PRESS UNLOADER
J	X			SCOU

**8th DIGIT KEY NUMBER SIGNIFICANCE**

0	PROD MODEL WITH TERM BOX
1	PKG CPRSR & CONTROL BOX
2	OEM AIR COND CPRSR
3	SPEC CLEAR TERM BOX
5	FUTURE USE
6	REMANUFACTURED SERVICE COMPRESSOR
7	NEW MANUFACTURED SERVICE COMPRESSOR
8	SPECIAL ORDER ONLY
9	SERVICE SPECIAL ORDER

**11th & 12th DIGITS ELECTRICAL CHARACTERISTICS**

DIGITS	VOLTS	PHASE	HERTZ	START
00				XL
02	575	- 3 -	60	XL
03	200	- 1 -	60	XL
04	230	- 1 -	60	XL
05	230	- 3 -	60	XL
06	400/460	- 3 -	50/60	XL
07	230	- 1 -	50	XL
08	220	- 3 -	50	XL
09	SEE NOTE 4			XL
10	230	- 2 -	60	XL
11	480	- 3 -	60	XL
12	208/230	- 3 -	60	XL
13	380	- 3 -	60	XL
14	200	- 3 -	60	P/W
15	230	- 3 -	60	P/W
18	220	- 3 -	50	P/W
19	230/460	- 3 -	60	XL
21	575	- 3 -	60	XL
26	400/460	- 3 -	50/60	XL
31	575	- 3 -	60	XL
32	208/230	- 3 -	60	XL
36	400/460	- 3 -	50/60	XL
38	415	- 3 -	50	P/W
39	415	- 3 -	50	XL
33	208/230	- 1 -	60	XL
34	220	- 3 -	50	XL

**5th DIGIT VARIABLES**

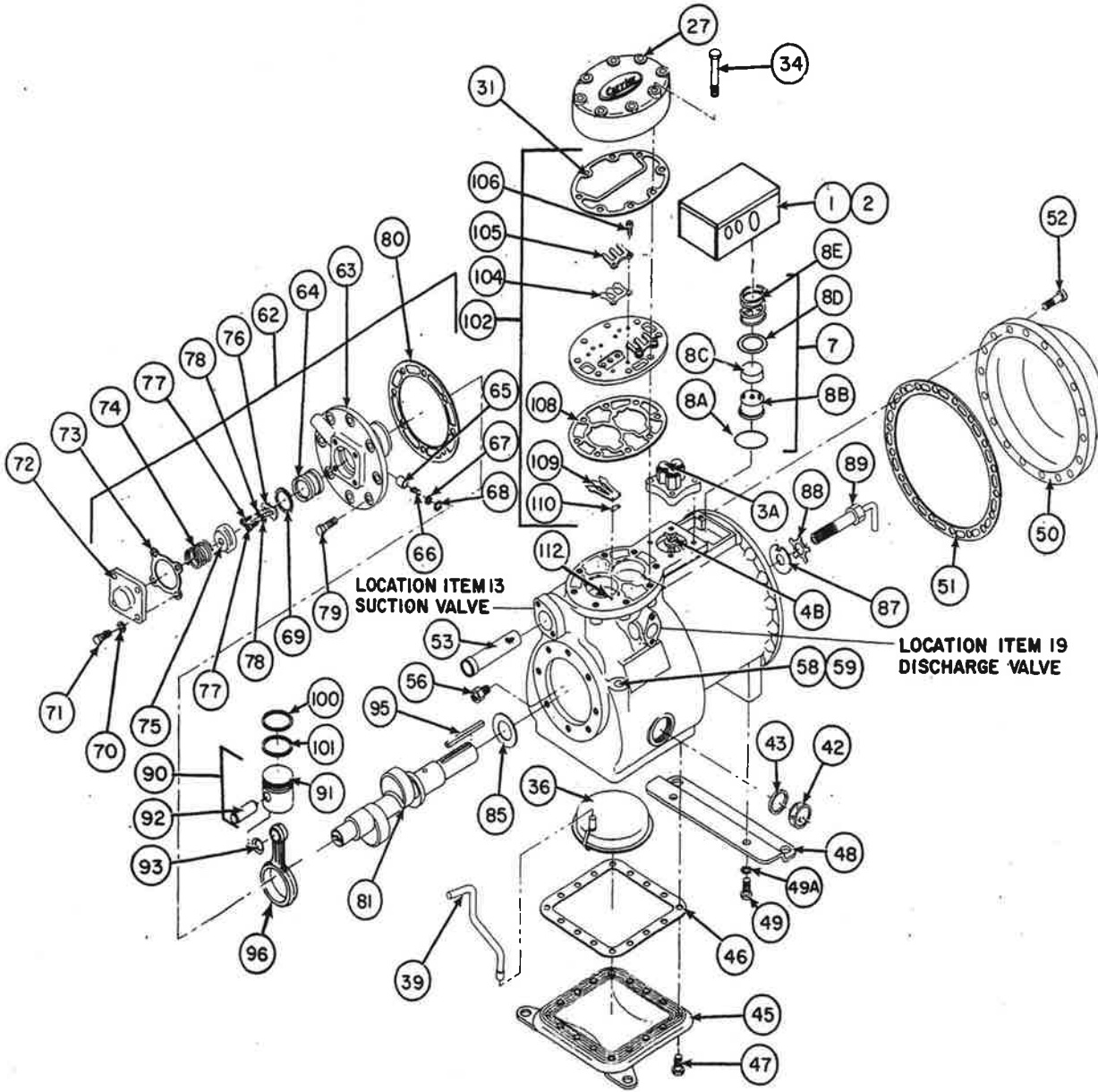
DIGIT	MOTOR 2-CYL	MOTOR 4-CYL	MOTOR 6-CYL
0		3 HP	
1	2 HP		5 HP
2			24 LB FT
3		5 HP	27 LB FT
4	3-1/2 HP		
5		5-1/2 HP	38 LB FT
7		5 HP	20 LB FT
8	3 HP	20 LB FT	24 LB FT

**9th DIGIT SUCTION SERVICE VALVE VARIABLES**

DIGIT	LOCATION		END COVER DESCRIPT		VALVE ORIENTATION	
	MOT	PUMP	BOLT	DESCR	VALVE	ORIENT
A	MOT	END	2 BOLT	30"	0°	
B	MOT	END	4 BOLT	30"	0°	
C	MOT	END	2 BOLT	90"	90°	
D	MOT	END	4 BOLT	90° OR 180°	270°	90°
E	MOT	END	2 BOLT	150"	270°	90°
F	PUMP	END	PLAIN	270°	270°	90°
G	PUMP	END	PLAIN	225°	180°	180°

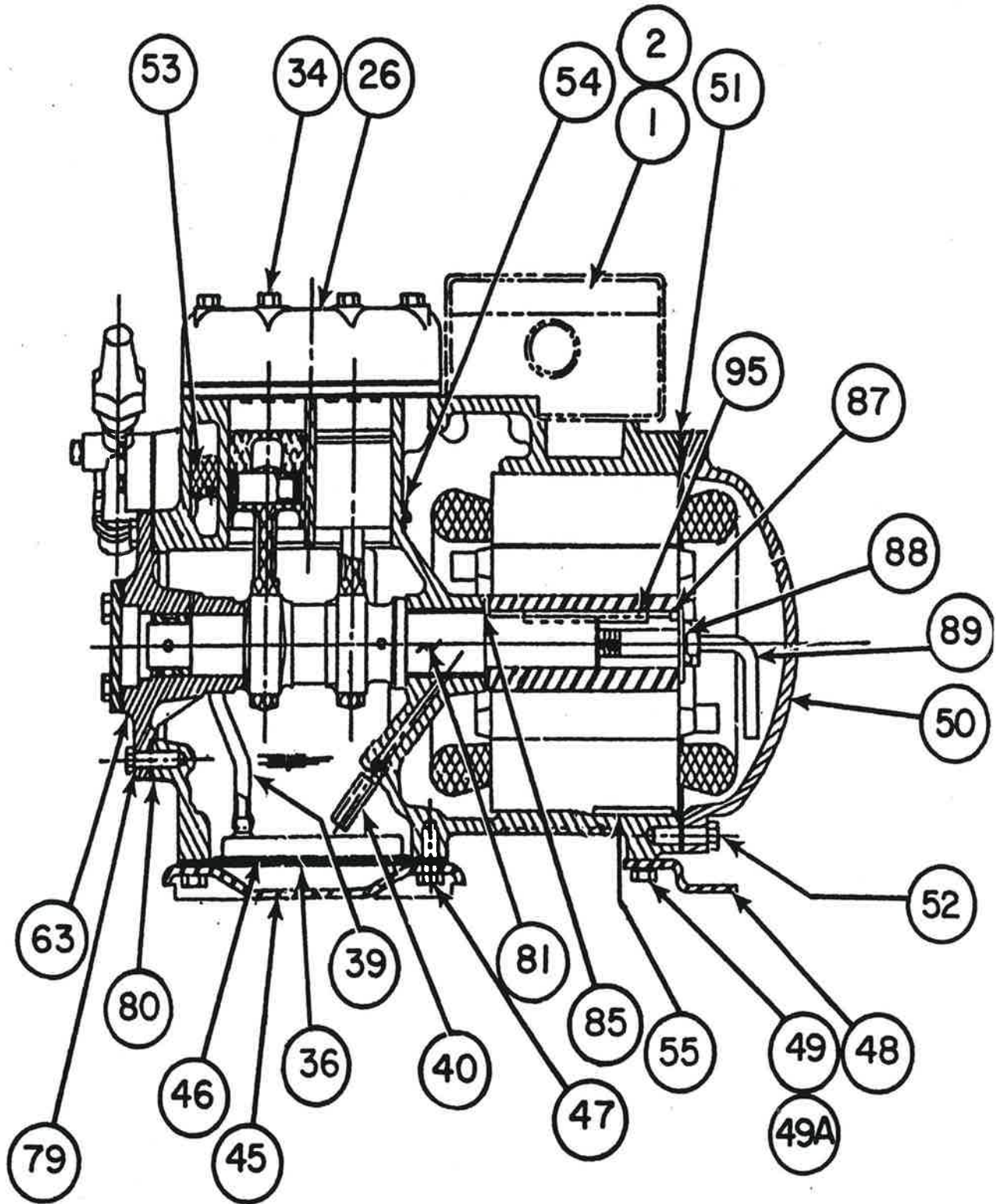
**10th DIGIT VARIABLES**

DIGIT	EXT OVLD		INT'L T'STAT
	EXT	OVLD	
A	YES	YES	
B	YES	NO	
C	NO	YES	FOR A, C, & E
D	NO	NO	FOR B, D, & F
E	YES	YES	1st OVERLOAD
F	YES	NO	VARIATION

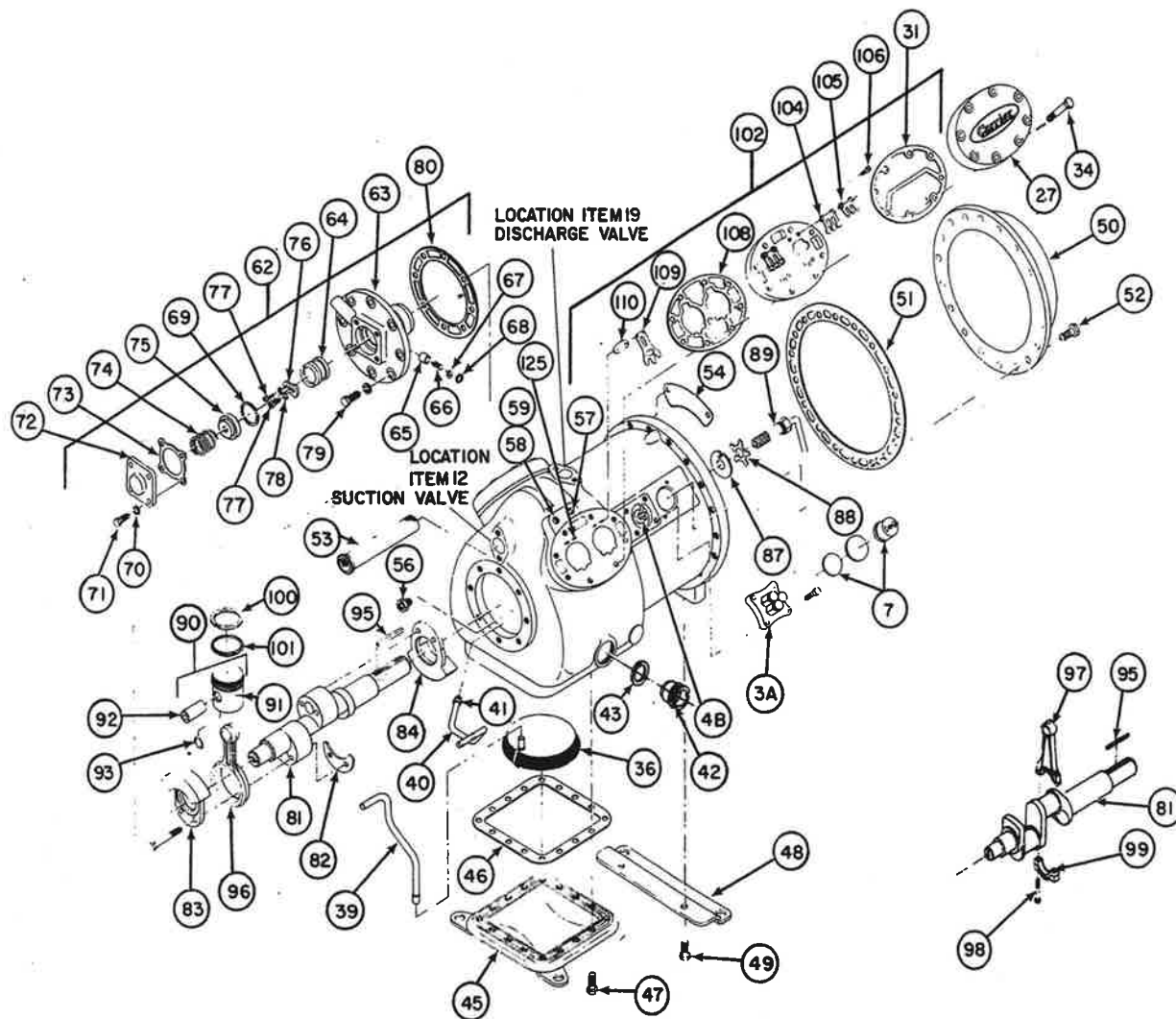


**06D ( ) 108, 808, 409, 809  
2 CYLINDER**

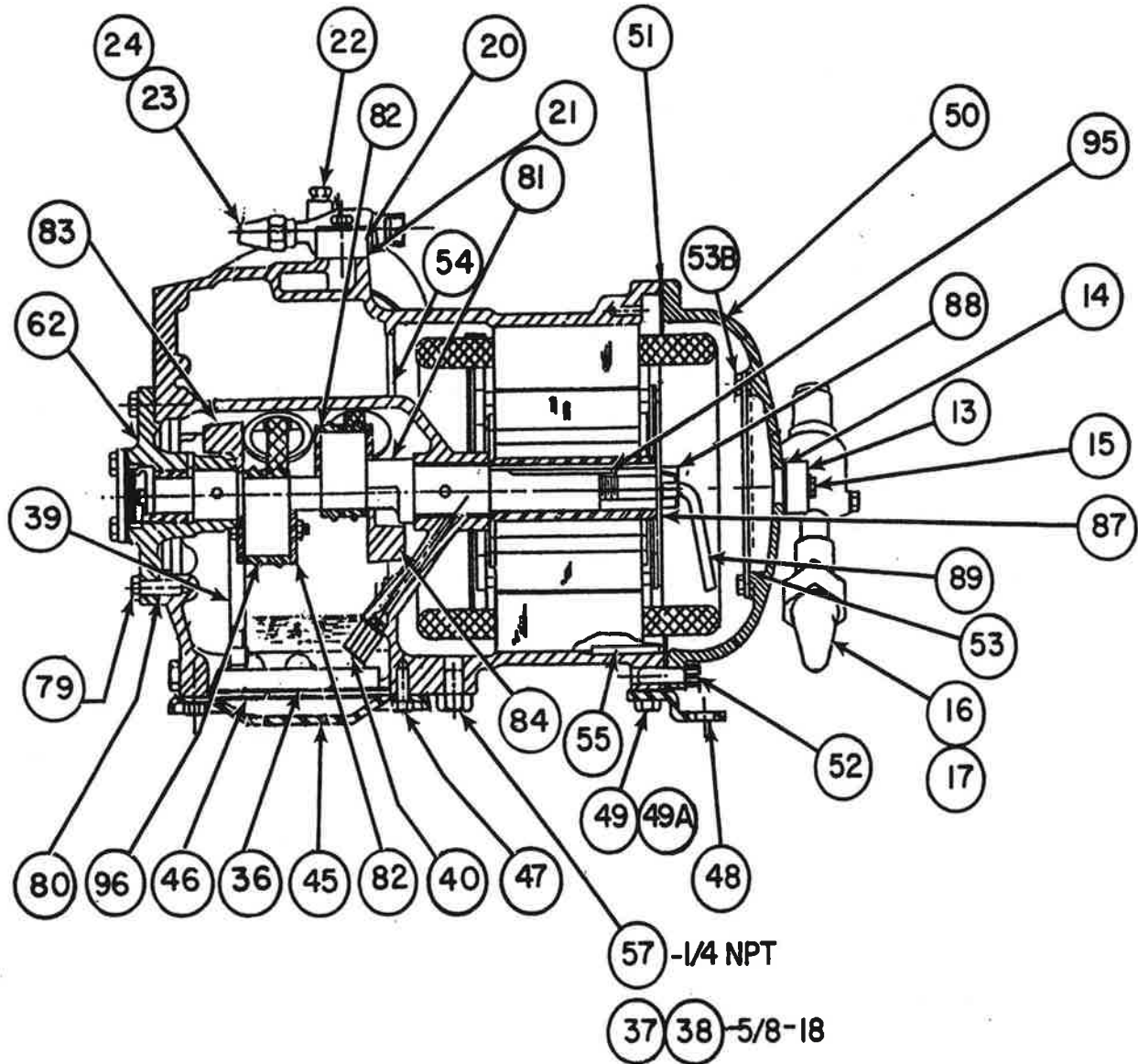




**2 CYLINDER**

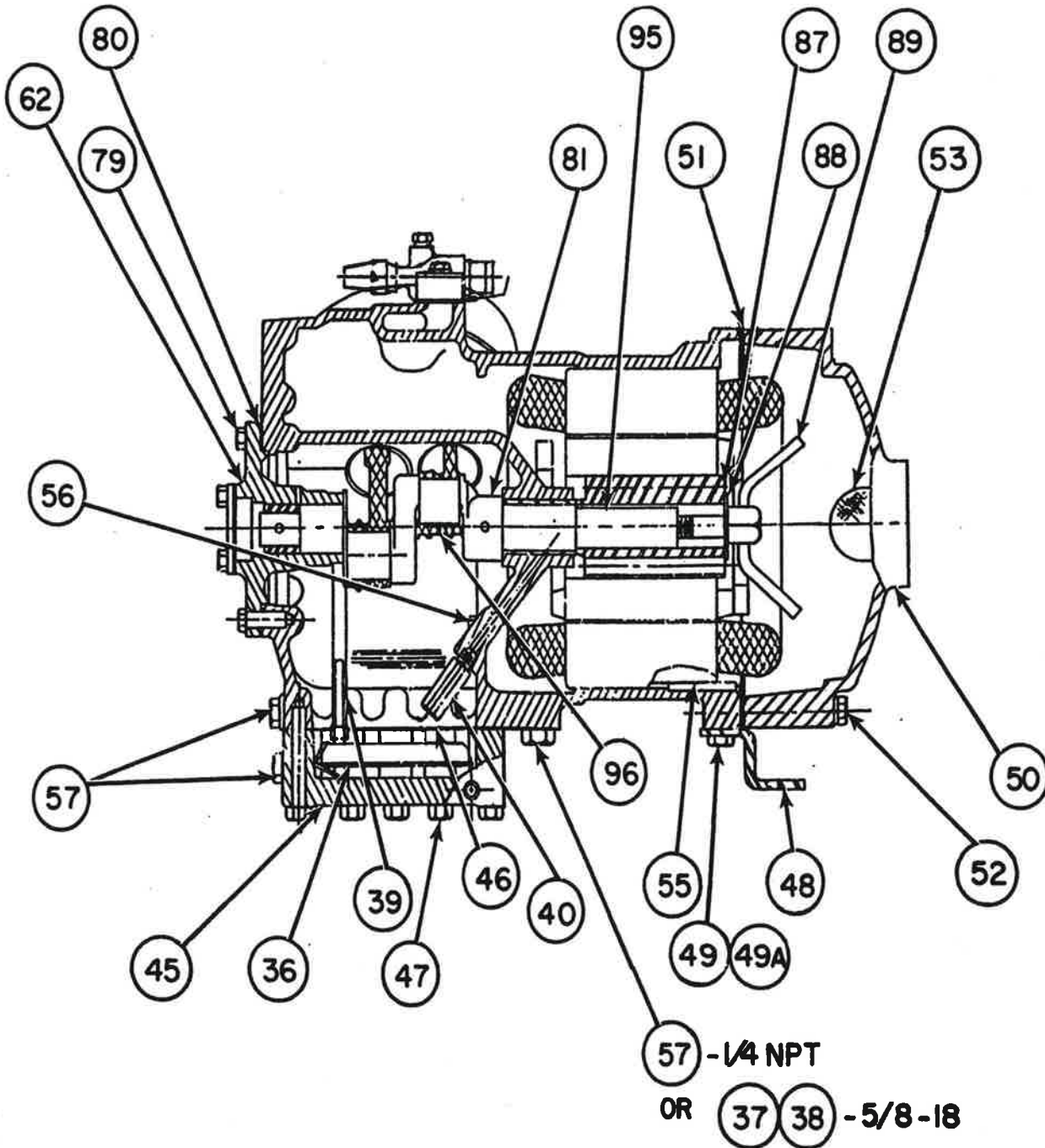


**06 ( ) 313, 316  
4 CYLINDER**



**ECCENTRIC STRAP 4 CYLINDER 313, 316**

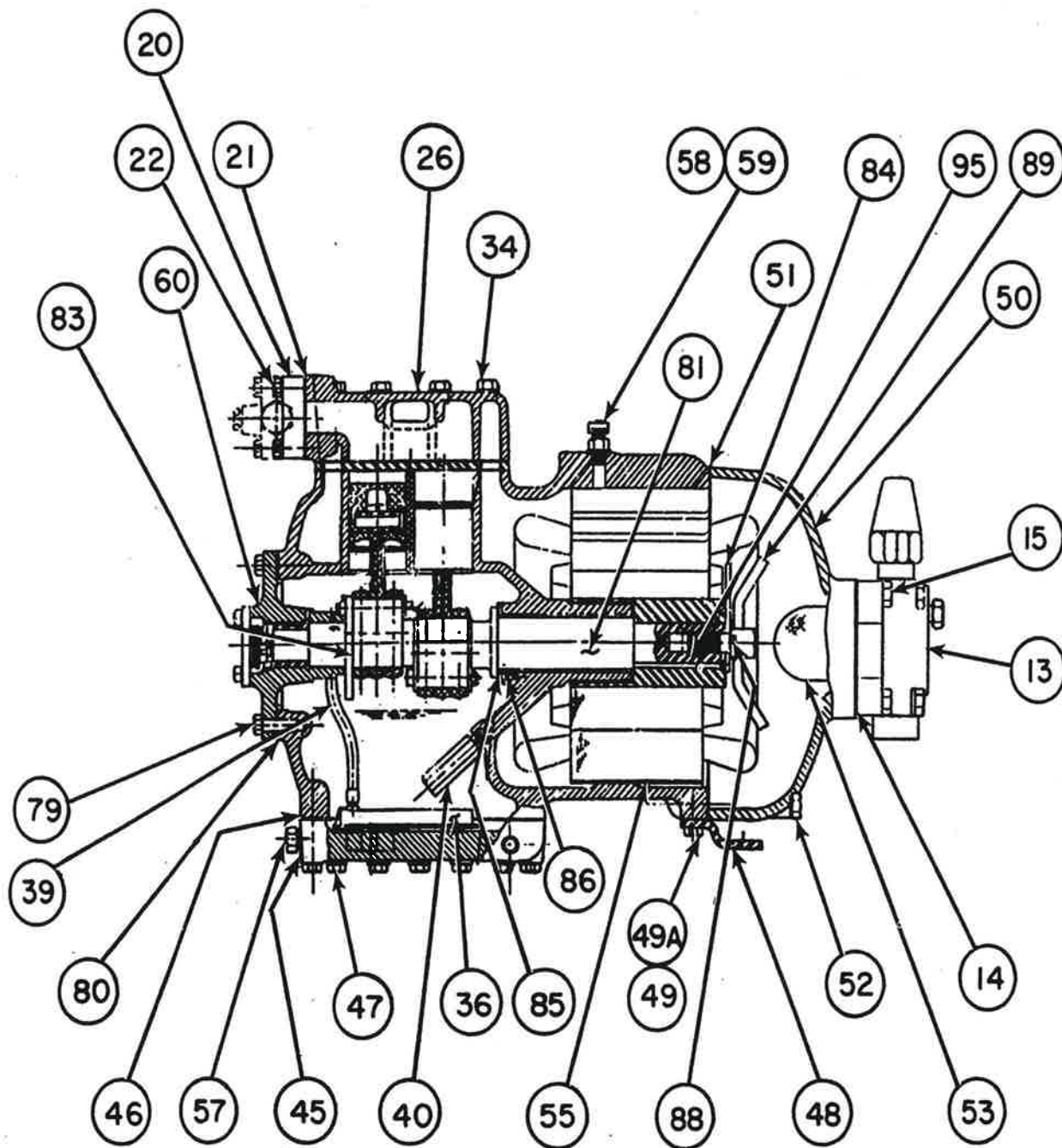




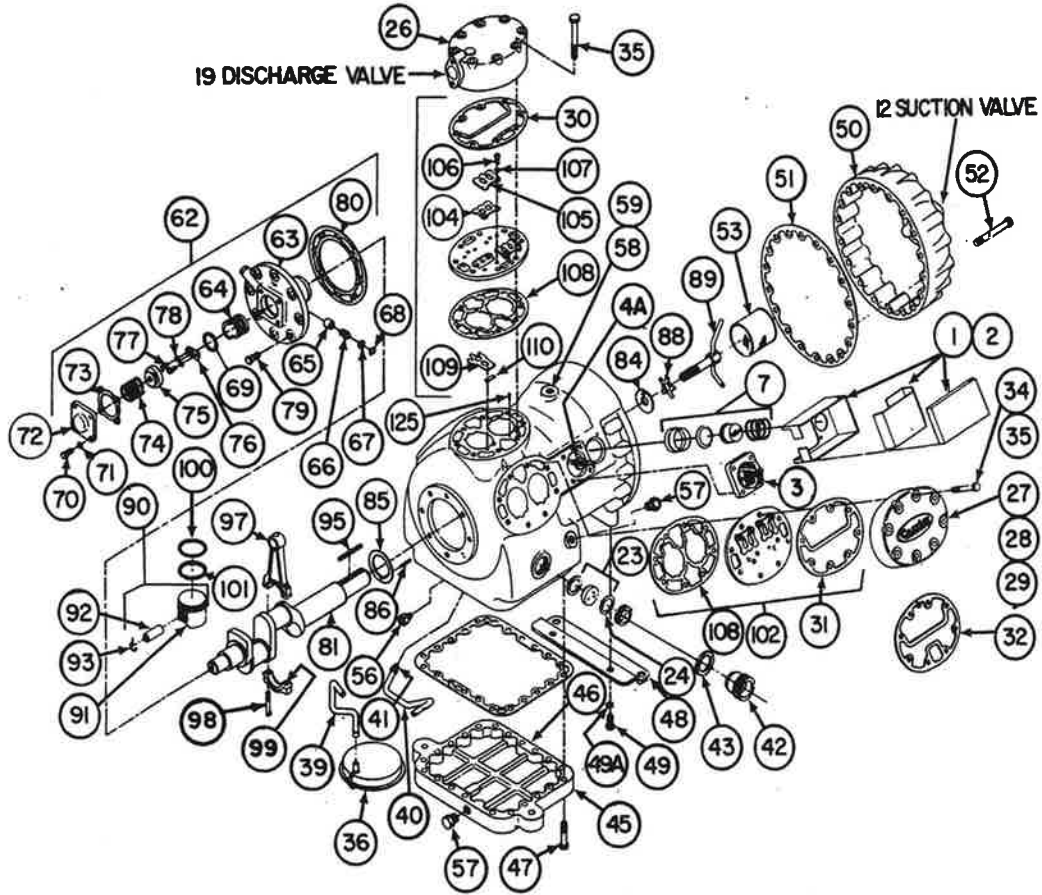
06D ( ) 318, 518, 718, 818  
4 CYLINDER





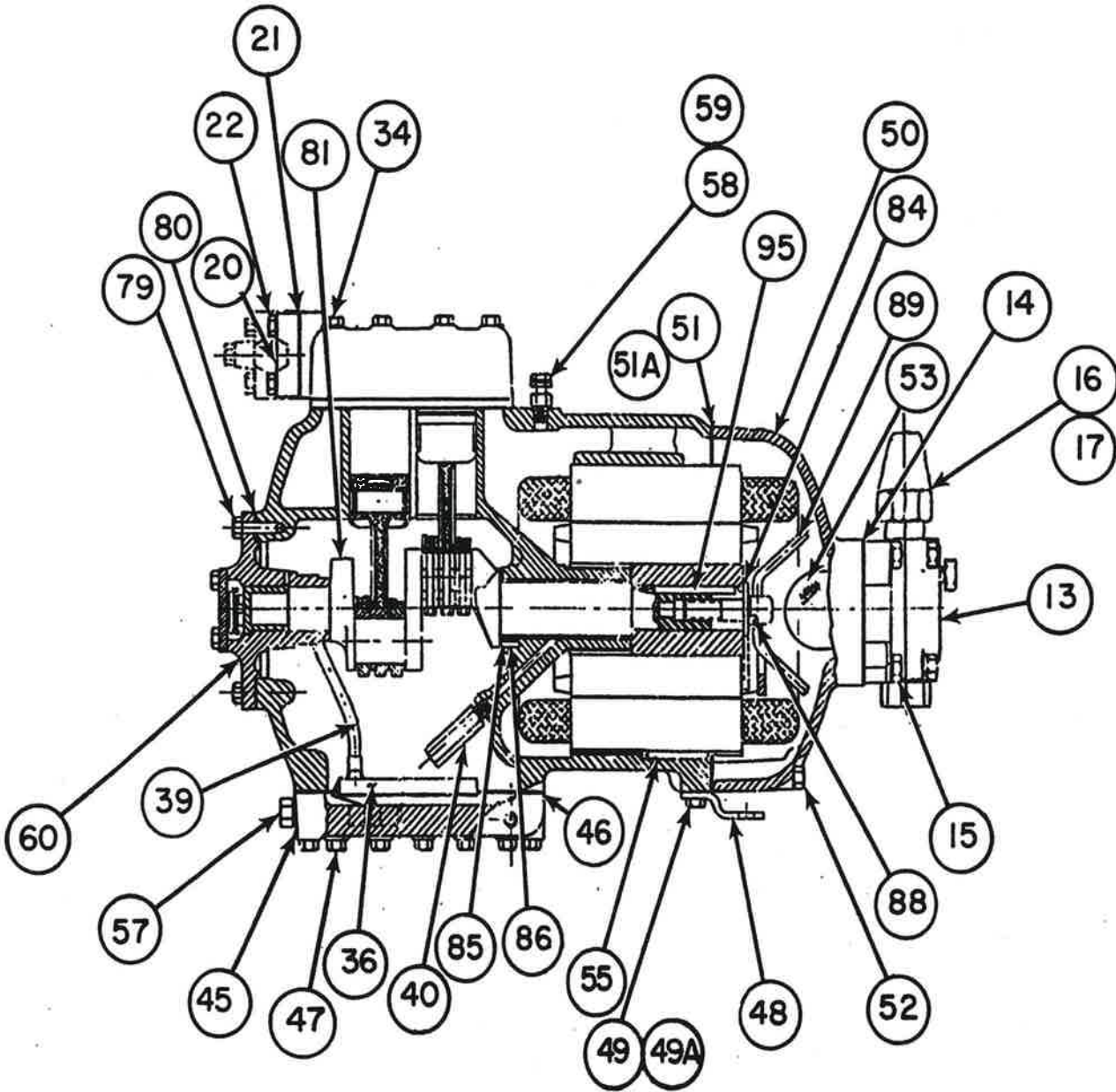


**06D ( ) 724 AND 824  
6 CYLINDER**



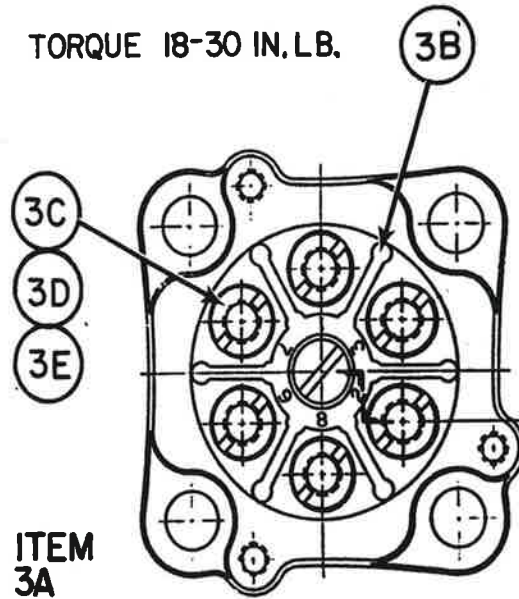
06D ( ) 337, 537  
06D ( ) 328  
6 CYLINDER





06D ( ) 328, 337, 537  
6 CYLINDER

TORQUE 18-30 IN. L.B.

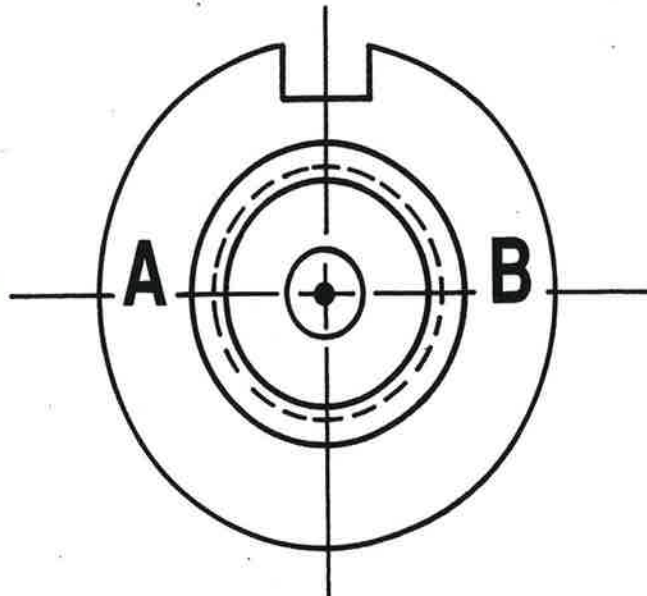


**TERMINAL PLATE**

KEYWAY AT TOP

**LEFT SIDE  
UNDERSIZED MOTOR AND  
MAIN BEARING JOURNALS**

A = -.010  
B = -.020



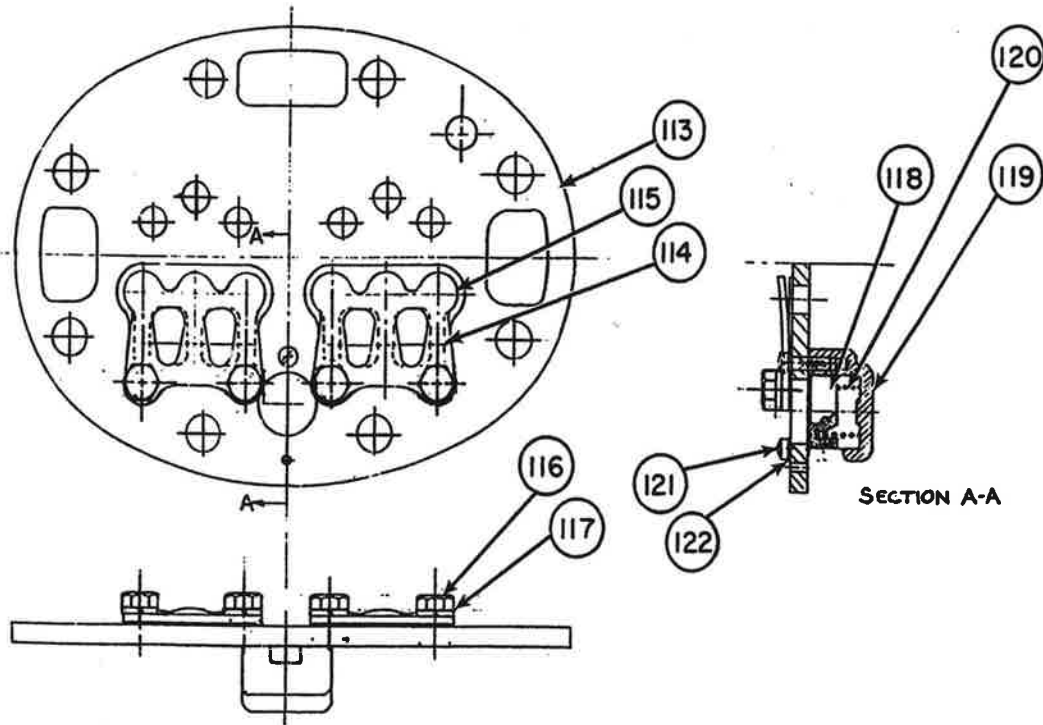
**RIGHT SIDE  
UNDERSIZED CONN  
ROD JOURNALS**

A = -.010  
B = -.020

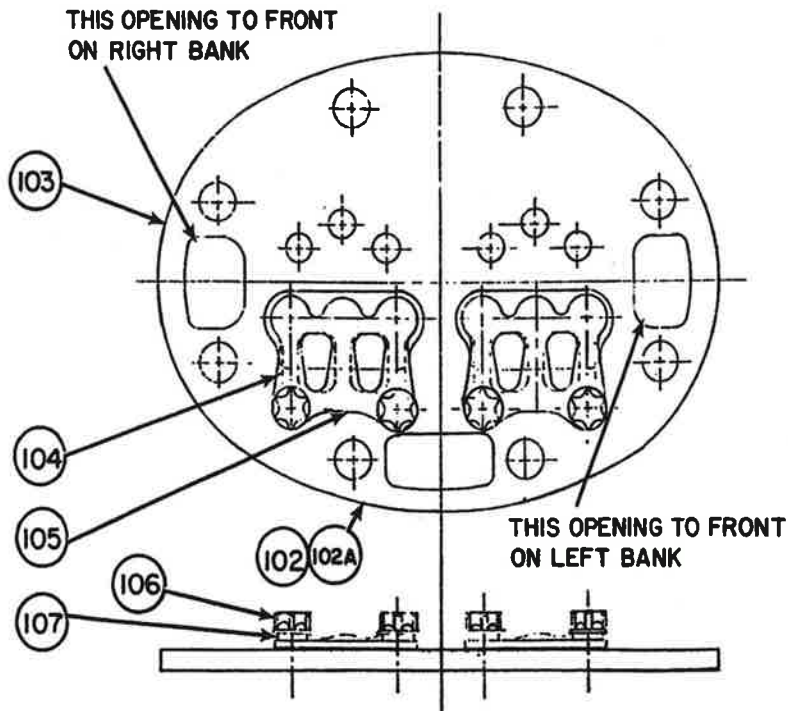
**CRANKSHAFT MOTOR END**

**PREVIOUSLY UNDERSIZED SHAFTS (-.010 AT CONN ROD JOURNALS ONLY)  
WERE STAMPED "A" ON ONE OR BOTH ENDS OF SHAFT**

**DETAIL "C"**

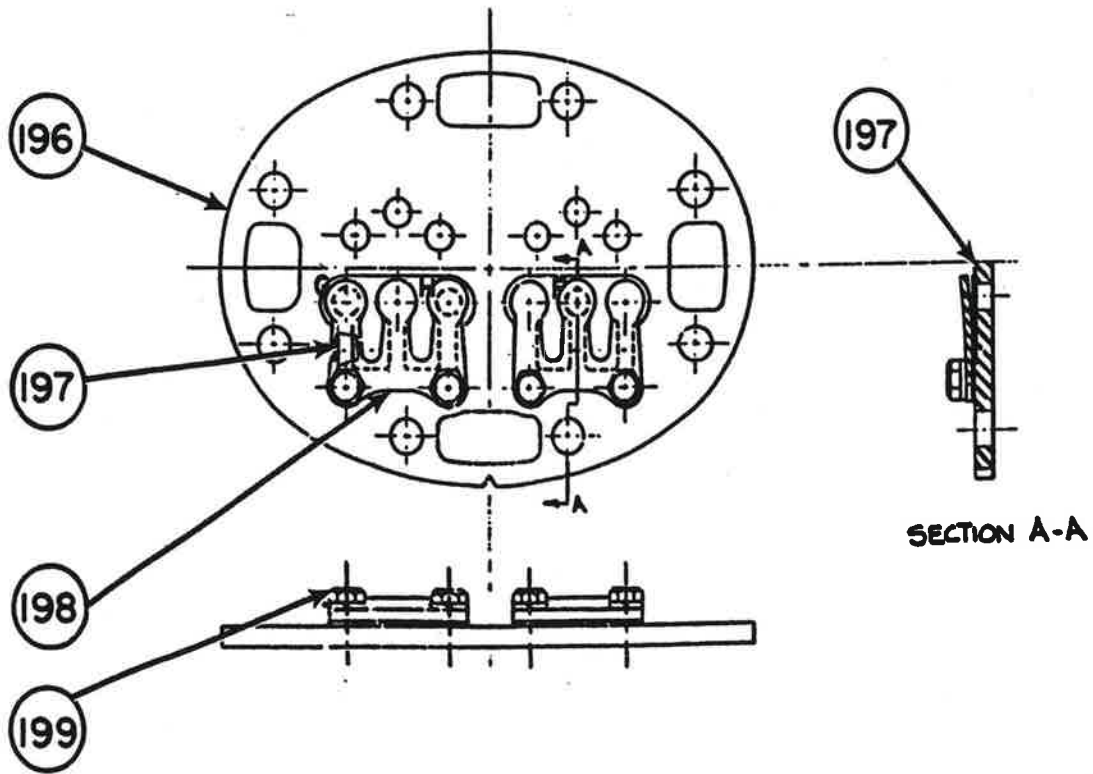


**HOT GAS BY-PASS VALVE PLATE**

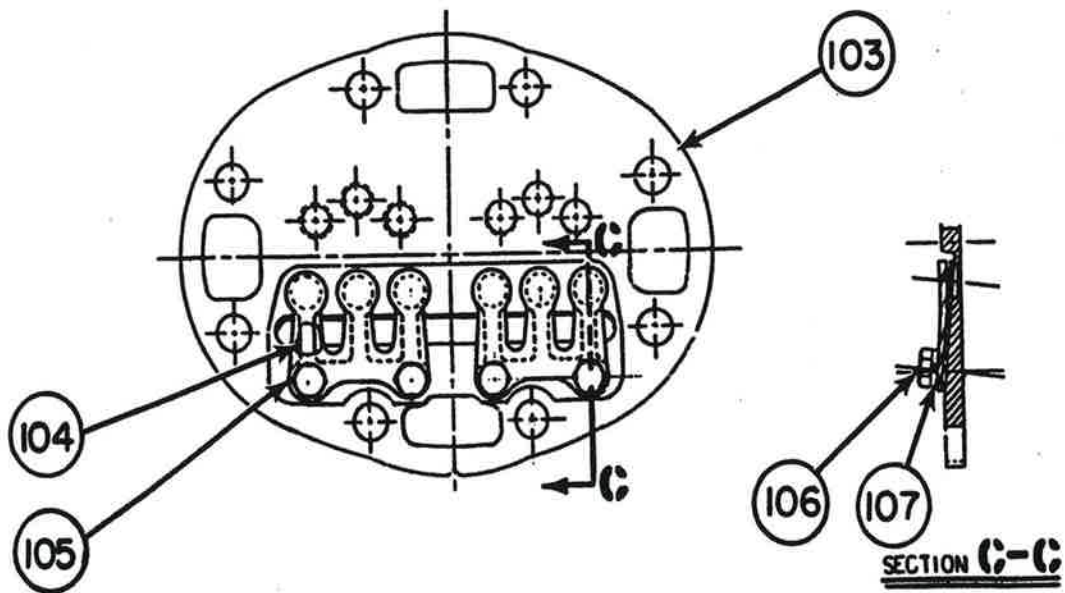


**FOR AIR COND. 1.81 BORE**

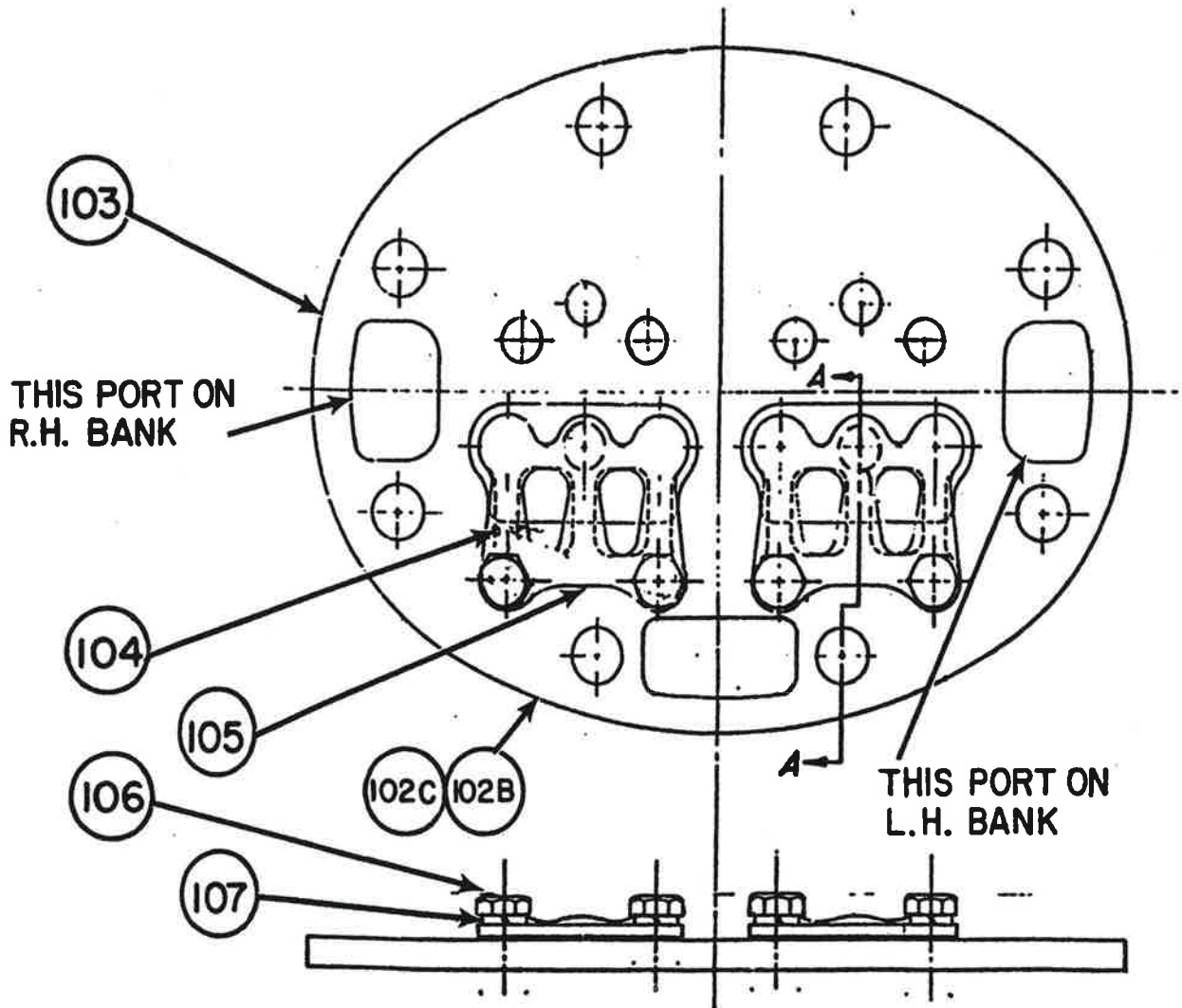




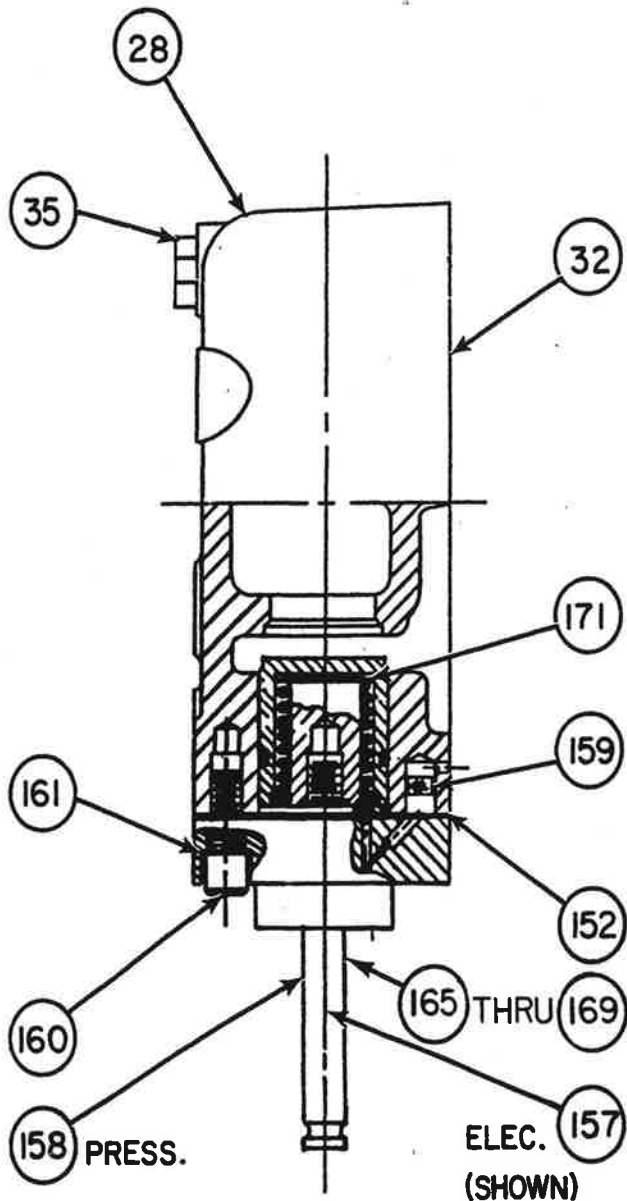
**AIR COND. HI-EFFIC**



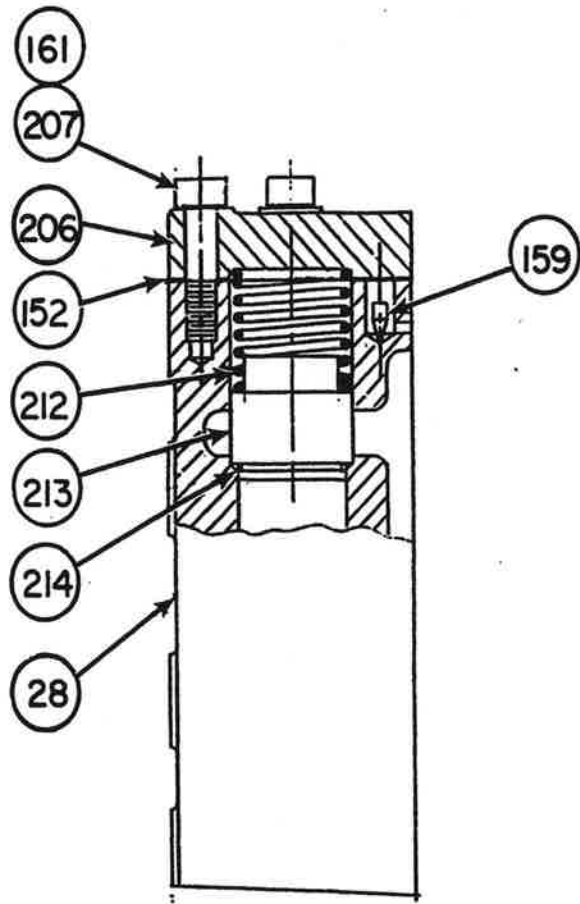
**REFRIG. HI-EFFIC**



**REFRIG. 1.81 BORE 013**

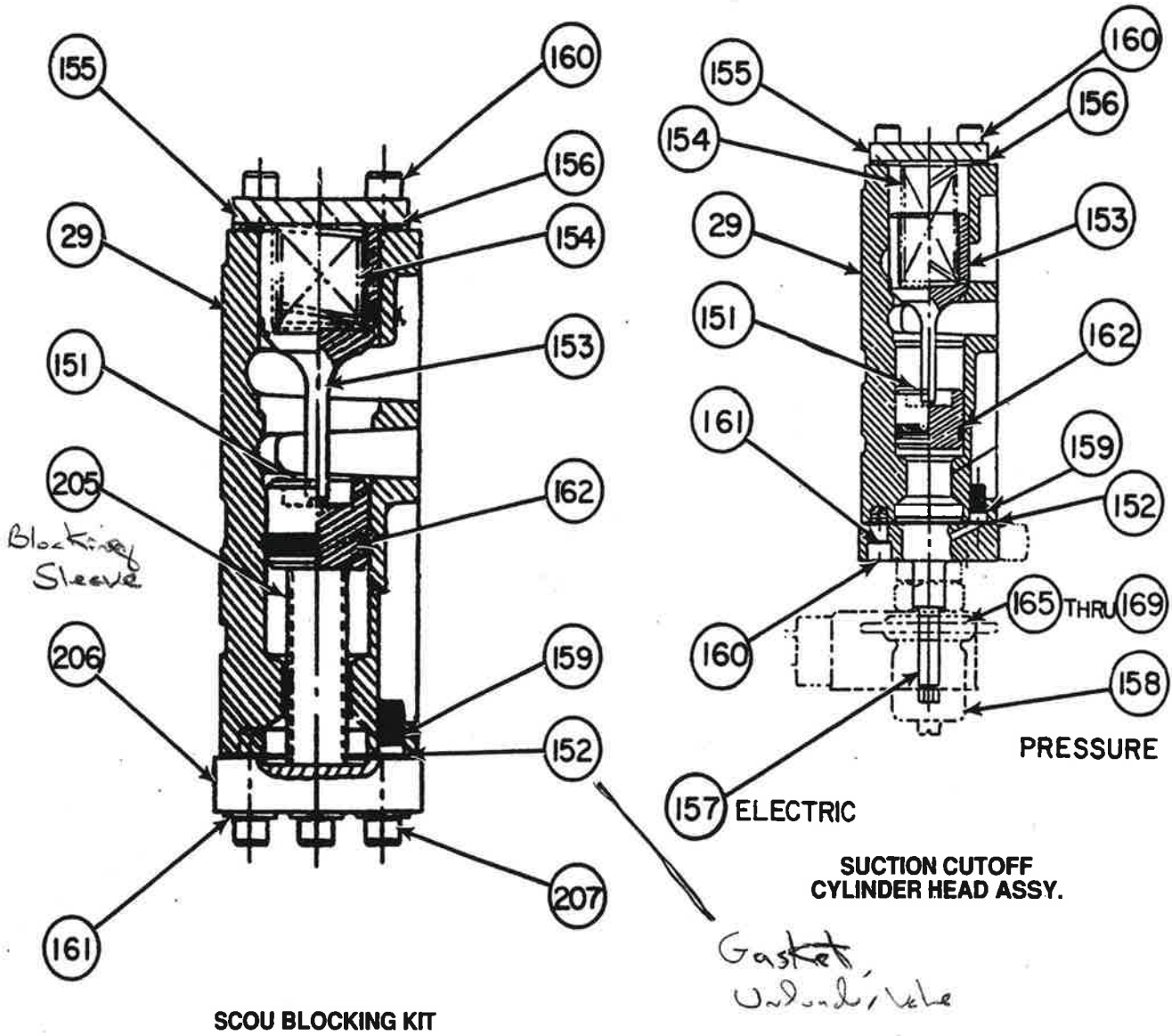


**HOT GAS BYPASS**



**HGBP BLOCKING KIT**





**SCOU BLOCKING KIT**

**SUCTION CUTOFF  
CYLINDER HEAD ASSY.**

ITEM	PART DESCRIPTION	06DA/DM108	06DA/DM409	06DA/DM809	06DA/DM808
		6D23 2 CYL	6D24 2 CYL	6D24 2 CYL	6D28 2 CYL
<b>REPLACEMENT COMPRESSOR GROUP</b>					
<b>AIR COND./MED.TEMP.</b>					
	230-1-60	06DM8086GC0300	06DM4096GC0300	06DM8096GC0300	06DM8086GC0300
	208/230-3-60	06DM8086GA3200	06DM8086GA3200	X	06DM8086GA3200
	400/460-3-50/60	06DM1086GC0600	06DM8086GA3600	06DM8086GA3600	06DM8086GA3600
	575-3-60	X	X	X	06DM8086GC3100
	208-3-60	06DM8086GC3200	06DM8086GA3200	06DM8096GC0400	06DM8086GA3200
	230-3-60	06DM8086GC3200	06DM8086GA3200	06DM8096GC0500	06DM8086GA3200
<b>TERMINAL PLATE &amp; BOX GROUP</b>					
1 & 2	TERM. BOX & COVER KIT(3x 5x 6) 1 OR 2 OV/LDS, 1PH, 3PH XL	06DA660075	→	→	→
1 & 2	TERM. BOX & COVER KIT(3.4x6x6) UP TO 3 OV/LDS, 3PH XL	06DA660078	→	→	→
1 & 2	TERM. BOX & COVER KIT(3 x6 x6) UP TO 6 OV/LDS, 3PH PW	06DA660088	→	→	→
<b>EACH TERMINAL BOX &amp; COVER KIT ALSO CONTAINS: LABELS, INSULATION AND MOUNTING HARDWARE</b>					
3	NI TERMINAL PLATE PACKAGE INCLUDES ITEMS 3A-3H	06DA660045	→	→	→
3A	TERMINAL PLATE ASSY(6 PIN) INCLUDES ITEMS 3B-3E	NSS	→	→	→
3B	PHASE BARRIER(PLASTIC)	06DA503674	→	→	→
3C	NUT, TERMINAL(BRASS)	(6)06DA503262	(6) →	(6) →	(6) →
3D	WASHER, LOCKTOOTH	(6)AU29AR171	(6) →	(6) →	(6) →
3E	SPACER SLEEVE (BRASS)	(6)06DA502333	(6) →	(6) →	(6) →
3F	NI GASKET, TERMINAL PLATE	6D40-1061	→	→	→
3G	NI SPLICE	(2)NSS	(2) →	(2) →	(2) →
3H	NI SCREW, TERMINAL PLATE MTG	(4)NSS	(4) →	(4) →	(4) →
4B	GROMMET, MOTOR LEAD	6D40-1311	→	→	→
5	NI TERMINAL PACKAGE INCLUDES	06DA660095	→	→	→
	NI TERMINAL NUT & SET SCREW	(6)SEE NOTE	(6) →	(6) →	(6) →
<b>NOTE: FOR USE ON POWER LEADS THROUGH #5 WIRE GAUGE.</b>					

NOTE: See "Catalog Notes" on last page for explanation of symbolism.

ITEM	PART DESCRIPTION	06DA/DM108	06DA/DM409	06DA/DM809	06DA/DM808
		6D23 2 CYL	6D24 2 CYL	6D24 2 CYL	6D28 2 CYL
<b>OVERLOAD GROUP</b>					
6	NI VOLTAGE CODE				
	0300 230-1-60	HN69GZ037	HN69GZ048	HN69GZ026	→
	* 0400 200-3-60	(2)HN69GZ007	(2)HN69GZ025	(2)HN69GZ053	(2) →
	* 0500 230-3-60	(2)HN69GZ039	(2)HN69GZ038	(2)HN69GZ037	(2) →
	1200 208/230-3-60	X	X	X	X
	* 0600 400/460-3-50/60	(2)HN69GZ015	(2)HN69GZ032	(2)HN69GZ012	(2) →
	* 0100 575-3-60	(2)HN69GZ012	(2) →	(2)HN69GZ011	(2) →
	0800 220-3-50	(2)HN69GZ012	(2)HN69GZ040	(2)HN69GZ014	(2) →
	1300 380-3-60	X	X	X	X
	1400 208-3-60 PW	X	X	X	X
	1500 230-3-60 PW	X	X	X	X
	1800 230-3-50 PW	X	X	X	X
	3100 575-3-60	X	X	X	(2)HN69GZ012
	3200 208/230-3-60 XL	X	X	X	(2)HN69GZ004
	3400 220-3-50 XL	X	X	X	(2)HN69GZ037
	3600 400/460-3-50/60	X	X	X	(2)HN69GZ012
	3900 415-3-50	X	X	X	(2)HN69GZ012
NOTE: * IF ORIG. O/L IS FURNAS, CONTACT RCD FOR HTR OR O/L PART NO.					
9	NI OVERLOAD SPACER PACKAGE(2PCS) WILL TAKE UP TO 6 OV/LDS USED IN 5X6 & 6X8 TERM. BOX	06DA660077	AS REQUIRED	AS REQUIRED	AS REQUIRED
9	NI OVERLOAD SPACER PACKAGE WILL TAKE UP TO 4 OV/LDS USED IN 6X8 TERM. BOX	06DA403052	AS REQUIRED	AS REQUIRED	AS REQUIRED
9	NI OVERLOAD SPACER PACKAGE WILL TAKE UP TO 2 OV/LDS USED IN 6X6 TERM. BOX	06DA403042	AS REQUIRED	AS REQUIRED	AS REQUIRED
NOTE: OVERLOAD SPACER IS USED TO MOUNT O/L'S IN TERMINAL BOX.					

NOTE: See "Catalog Notes" on last page for explanation of symbolism.





# AIR CONDITIONING MEDIUM TEMP REFRIGERATION COMPRESSORS

# 06D

ITEM	PART DESCRIPTION	06DA/DM108	06DA/DM409	06DA/DM809	06DA/DM808
		6D23 2 CYL	6D24 2 CYL	6D24 2 CYL	6D28 2 CYL
	<b>SERVICE VALVE GROUP</b>				
12	NI SUCTION VALVE PACKAGE	06DA660061	→	→	→
	INCLUDES ITEMS 13-17				
13	SERVICE VALVE(7/8ODS, 2BOLT)	EN07AA271	→	→	→
14	GASKET, VALVE (1.62 CTRS.)	6D23-1421	→	→	→
15	CAPSCREW, VALVE MOUNTING	(2)NSS	(2) →	(2) →	(2) →
16	CAP, VALVE(MUELLER)	EN99ZA006	→	→	→
16A	CAP, VALVE(HENRY)	X	X	X	X
17	GASKET, VALVE CAP(MUELLER)	EN99ZA102	→	→	→
17A	GASKET, VALVE CAP(HENRY)	X	X	X	X
18	NI SUCTION VALVE PKG.(ALTERNATE)	06DA660083	→	→	→
	INCLUDES ITEMS 13-17				
13	SERVICE VALVE(1-1/8ODS, 2BOLT)	EN07AA331	→	→	→
14	GASKET, VALVE (1.62 CTRS.)	6D23-1421	→	→	→
15	CAPSCREW, VALVE MOUNTING	(2)NSS	(2) →	(2) →	(2) →
16	CAP, VALVE(MUELLER)	EN99ZA006	→	→	→
16A	CAP, VALVE(HENRY)	X	X	X	X
17	GASKET, VALVE CAP(MUELLER)	EN99ZA102	→	→	→
17A	GASKET, VALVE CAP(HENRY)	X	X	X	X
19	NI DISCHARGE VALVE PACKAGE	06DA660060	→	→	→
	INCLUDES ITEMS 20-24				
20	SERVICE VALVE(5/8ODS, 2BOLT)	EN32AA250	→	→	→
21	GASKET, VALVE (1.62 CTRS.)	6D23-1421	→	→	→
22	CAPSCREW, VALVE MOUNTING	(2)NSS	(2) →	(2) →	(2) →
23	CAP, VALVE(MUELLER)	EN99ZA001	→	→	→
23A	CAP, VALVE(HENRY)	X	X	X	X
24	GASKET, VALVE CAP(MUELLER)	X	X	X	X
24A	GASKET, VALVE CAP(HENRY)	X	X	X	X
19	NI DISCHARGE VLV. PKG.(ALTERNATE)	06DA660059	→	→	→
	INCLUDES ITEMS 20-24.				
20	SERVICE VALVE(5/8ODF, 2BOLT)	EN26AA211	→	→	→
21	GASKET, VALVE (1.62 CTRS.)	6D23-1421	→	→	→
22	CAPSCREW, VALVE MOUNTING	(2)NSS	(2) →	(2) →	(2) →
23	CAP, VALVE(MUELLER)	EN99ZA001	→	→	→
23A	CAP, VALVE(HENRY)	X	X	X	X
24	GASKET, VALVE CAP(MUELLER)	X	X	X	X
24A	GASKET, VALVE CAP(HENRY)	X	X	X	X

NOTE: See "Catalog Notes" on last page for explanation of symbolism.

ITEM	PART DESCRIPTION	06DA/DM108	06DA/DM409	06DA/DM809	06DA/DM808
		6D23 2 CYL	6D24 2 CYL	6D24 2 CYL	6D28 2 CYL
<b>COMPRESSOR BODY GROUP</b>					
	NI PAINT (SEA FOAM GREEN)	PH23QK016	→	→	→
25	NI GASKET SET ( # )	6D43-172	→	→	→
26	HEAD,CYLINDER(CENTER)	6D40-2163	→	→	→
27	HEAD,CYLINDER(NON/UNL)	X	X	X	X
28	HEAD,CYLINDER(UNLOADING)HGHP	X	X	X	X
29	HEAD,CYLINDER(UNLOADING)SCOU	X	X	X	X
30	GASKET,CYLINDER HEAD(CENTER)	6D40-1053	→	→	→
31	GASKET,CYLINDER HEAD(PLAIN)	X	X	X	X
32	GASKET,CYLINDER HEAD(HGHP)	X	X	X	X
33	GASKET,CYLINDER HEAD(SCOU)	X	X	X	X
34	CAPSCREW,CYLINDER HEAD(PLAIN)	(8)AA06BR237	(8) →	(8) →	(8) →
35	CAPSCREW,CYL HEAD(W/CAP CNTL.)	X	X	X	X
36	SCREEN ASSEMBLY,OIL FILTER	6D40-103	→	→	→
37	PLUG,OIL BY-PASS	X	X	X	X
38	GASKET,OIL BY-PASS PLUG	X	X	X	X
39	TUBE,OIL SUCTION	05DA500283	→	→	→
40	VALVE ASSEMBLY,OIL RELIEF	6D23-522	→	→	→
	INCLUDES ITEMS 41-42				
41	NI NUT,COMPRESSION	DD03CA072	→	→	→
42	SIGHTGLASS ASSEMBLY(1-1/2-18)	5F20-152	→	→	→
	INCLUDES ITEM 43				
43	GASKET,SIGHTGLASS	5F20-1631	→	→	→
42A	NI SIGHTGLASS (SPECIAL) 3/4 NPT	X	X	X	X
42B	NI ADAPTOR (1-1/2-18 X 1-1/8 ODS)	30HH401051	→	→	→
44	KIT,STATOR LOCKING	X	X	X	X
45	COVER,BOTTOM	6D40-1033	→	→	→
46	GASKET,BOTTOM COVER	6D40-1043	→	→	→
47	CAPSCREW,BOTTOM PLATE	(16)AA06BR229	(16) →	(16) →	(16) →
48	FOOT,COMPRESSOR(MOTOR END)	6D40-1042	→	→	→
49	CAPSCREW,COMPRESSOR FOOT	(2)AA06BR229	(2) →	(2) →	(2) →
49A	WASHER,EVERLOCK	(2)AU27AR241	(2) →	(2) →	(2) →
50	COVER,MOTOR END @	6D23-1084	→	→	→
51	GASKET,MOTOR END COVER	6D23-1063	→	→	→
52	CAPSCREW,MOTOR END COVER	(18)AA06BR232	(18) →	(18) →	(18) →
53	STRAINER,SUCTION(CYLINDER)	6D23-112	→	→	6D48-303
53	STRAINER,SUCTION(FLAT TYPE)	X	X	X	X
54	PLATE,BAFFLE(OLDER UNITS ONLY)	6D23-1172	→	→	→
55	ROLLPIN(STATOR TO CRANKCASE)	AX14CA135	→	→	→
56	VALVE ASSEMBLY,CHECK	6D40-162	→	→	→
57	PLUG,PIPE(1/4" HEX HEAD)	(3)CA63AA051	(3) →	(3) →	(3) →
58	VALVE ASSEMBLY,LOW PRESS.CONN.	06DA403844	→	→	→
59	CAP,VALVE(7/16-20)	DD19CA061	→	→	→
# GASKET SET 6D43-172 CONTAINS ITEMS 3F,14,30,31,38,46,51,73,80,108 & 200 . ALL AVAILABLE VERSIONS OF EACH ITEM ARE INCLUDED. QUANTITIES ARE SUFFICIENT FOR 2,4 OR 6 CYLINDER .					
@ AN ALTERNATE 2 BOLT SUCTION VALVE COVER 06DA505404 IS AVAILABLE FOR USE ON 808 MODEL.					

NOTE: See "Catalog Notes" on last page for explanation of symbolism.

ITEM	PART DESCRIPTION	06DA/DM108	06DA/DM409	06DA/DM809	06DA/DM808
		6D23 2 CYL	6D24 2 CYL	6D24 2 CYL	6D28 2 CYL
<b>PUMP END GROUP</b>					
60	NI BEARING HEAD PACKAGE	6D68-952	→	→	→
	INCLUDES ITEMS 62-80				
BEARING HEAD PACKAGE HAS 1/8NPT CONNECTION FOR OIL SAFETY SWITCH WHICH IS NOT PART OF ITEM 60. ORDER SWITCH P529-2110 IF REQUIRED.					
62	BEARING HEAD ASSEMBLY	NSS	→	→	→
	INCLUDES ITEMS 63-69				
63	BEARING, HEAD	NSS	→	→	→
64	ROTOR, PUMP	NSS	→	→	→
65	VANE, PUMP	(2)NSS	(2) →	(2) →	(2) →
66	SPRING, VANE	(2)NSS	(2) →	(2) →	(2) →
67	GUIDE, SPRING	(2)NSS	(2) →	(2) →	(2) →
68	RING, RETAINING	NSS	→	→	→
69	RING, ROTOR RETAINING	NSS	→	→	→
70	GASKET, CAPSCREW(5/16)	(4)AU51YA003	(4) →	(4) →	(4) →
71	SCREW, HEX HEAD CAP (5/16-18)	(4)AA066R199	(4) →	(4) →	(4) →
72	PLATE, COVER	06DA502972	→	→	→
73	GASKET, COVER PLATE	6D40-1061	→	→	→
74	SPRING, GUIDE VANE	6D40-1112	→	→	→
75	VANE, GUIDE	6D40-1171	→	→	→
76	DRIVE SEGMENT, OIL PUMP	6D40-1191	→	→	→
77	SCREW, SOCKET HEAD	(2)NSS	(2) →	(2) →	(2) →
78	LOCKWASHER	(2)NSS	(2) →	(2) →	(2) →
79	SCREW, HEX HEAD CAP	(8)NSS	(8) →	(8) →	(8) →
80	GASKET, BEARING HEAD	6D40-1022	→	→	→
<b>DRIVE TRAIN GROUP</b>					
81	SHAFT, ECCENTRIC	6D23-1094	6D24-1094	→	6D23-1094
81A	SHAFT, ECCENTRIC .D10 UNDERSIZE	X	X	X	X
OLDER UNDERSIZE SHAFTS ARE IDENTIFIED BY AN "A" STAMPED ON ONE OR BOTH ENDS OF SHAFT NEWER UNDERSIZE SHAFTS ARE IDENTIFIED BY REFERRING TO DETAIL "C" ON PG.13					
82	SIDE SHIELD, ECCENTRIC STRAP	X	X	X	X
83	COUNTERWEIGHT, PUMP END	X	X	X	X
84	COUNTERWEIGHT, MOTOR END	X	X	X	X
85	THRUSTWASHER	6D23-1591	→	→	→
86	PIN, SPIROL (THRUSTWASHER)	X	X	X	X
87	LOCKWASHER, ROTOR(1.75DIA)	06DA503112	→	→	→
88	LOCKWASHER(5/8)5PT. STAR	06DA503102	→	→	→
89	TUBE ASSEMBLY, EQUALIZER	6D23-122	→	→	→
95	KEY, ROTOR(1/4X1/4X3)	AW01DA103	→	→	→

NOTE: See "Catalog Notes" on last page for explanation of symbolism.



ITEM	PART DESCRIPTION	06DA/DM108	06DA/DM409	06DA/DM809	06DA/DM808
		6D23 2 CYL	6D24 2 CYL	6D24 2 CYL	6D28 2 CYL
<b>DRIVE TRAIN GROUP CONT'D</b>					
THE FOLLOWING FLAT TOP STANDARD AND OVERSIZED PISTONS ARE FOR USE IN COMPRESSOR MODELS: 06D 0100,0400,0500,0600&1200 ONLY					
90	NI PISTON & PIN PACKAGE (FLAT TOP DESIGN)	6D43-962	→	→	→
	INCLUDES ITEMS 91-93				
91	PISTON	NSS	→	→	→
92	PIN,PISTON	NSS	→	→	→
93	RETAINING RING,PISTON PIN	(2)6D43-1651	(2) style="text-align: center;">→	(2) style="text-align: center;">→	(2) style="text-align: center;">→
90	NI PISTON & PIN PACKAGE USED ONLY IN 06D-808-30 LOW CLEARANCE COMPR.MODEL (FLAT TOP DESIGN)	X	X	X	(2)6D44-962
	INCLUDES ITEMS 91-93				
91	PISTON	X	X	X	NSS
92	PISTON,PIN	X	X	X	NSS
93	RETAINING RING,PISTON PIN	X	X	X	(2)6D43-1651
90	NI PISTON & PIN PACKAGE REFRIG.(CONTOURED TOP)	X	X	X	X
	INCLUDES ITEMS 91-93				
91	PISTON	X	X	X	X
92	PIN,PISTON	X	X	X	X
93	RETAINING RING,PISTON PIN	X	X	X	X
94	SPRING WASHER,CURVED	X	X	X	X
90	NI PISTON & PIN ASSEMBLY (.020 OVERSIZE) (NOTE)	(2)06DA660067	(2) style="text-align: center;">→	(2) style="text-align: center;">→	(2) style="text-align: center;">→
90	NI PISTON & PIN PACKAGE (.020 OVERSIZE) (NOTE)	X	X	X	(2)06DA660068
	USED ONLY IN 06D-808-30 LOW CLEARANCE COMPRESSOR MODEL				
	INCLUDES ITEMS 91-93				
91	PISTON	NSS	→	→	→
92	PIN,PISTON	NSS	→	→	→
93	RETAINING RING,PISTON PIN	(2)6D43-1651	(2) style="text-align: center;">→	(2) style="text-align: center;">→	(2) style="text-align: center;">→
96	ECCENTRIC STRAP	(2)5D40-1372	(2) style="text-align: center;">→	(2) style="text-align: center;">→	(2) style="text-align: center;">→
96	NI CONNECTING ROD & CAP ASSEMBLY	X	X	X	X
	INCLUDES ITEMS 97-99				
97	CONNECTING ROD & CAP	X	X	X	X
98	CAPSCREW	X	X	X	X
99	DOWEL PIN	X	X	X	X
100	RING,COMPRESSION	(2)AU50CP355	(2) style="text-align: center;">→	(2) style="text-align: center;">→	(2) style="text-align: center;">→
100A	RING,COMPRESSION(PKG OF 12) (.020 OVERSIZE) (NOTE*)	06DA660069	→	→	→
101	RING,OIL(NOT USED CURRENTLY)	(2)AU50CP245	(2) style="text-align: center;">→	(2) style="text-align: center;">→	(2) style="text-align: center;">→
101A	RING,OIL(.020 OVERSIZE) (NOTE*)	06DA660070	→	→	→

(\* ) IDENTIFIED BY ".020" STAMPED ON CYLINDER DECK NEXT TO EACH OVER- SIZED PISTON.CHECK NEAR EACH.BOTH MAY NOT BE MARKED..

NOTE: See "Catalog Notes" on last page for explanation of symbolism.

ITEM	PART DESCRIPTION	06DA/DM108	06DA/DM409	06DA/DM809	06DA/DM808
		6D23 2 CYL	6D24 2 CYL	6D24 2 CYL	6D28 2 CYL
<b>VALVE PLATE GROUP</b>					
102	VALVE PLATE PACKAGE	06DA660093	→	→	→
	INCLUDES ITEMS 103—111				
103	VALVE PLATE ASSMBLY	NSS	→	→	→
	INCLUDES ITEMS 104—107				
104	VALVE, DISCHARGE	(2)NSS	(2) →	(2) →	(2) →
105	STOP, DISCHARGE VALVE	(2)NSS	(2) →	(2) →	(2) →
106	SCREW, HEX HEAD	(4)NSS	(4) →	(4) →	(4) →
107	LOCKWASHER	X	X	X	X
108	GASKET, VALVE PLATE	6D40-1073	→	→	→
31	GASKET, CYLINDER HEAD(PLAIN)	6D40-1053	→	→	→
33	GASKET, CYLINDER HEAD(SCOU)	X	X	X	X
	(NOT USED ON 2CYL COMPRESSORS)				
109	VALVE, SUCTION(HI-EFFICIENCY)	(2)NSS	(2) →	(2) →	(2) →
110	SPRING, SUCTION VALVE POSITION	(2)NSS	(2) →	(2) →	(2) →
30	GASKET, CYLINDER HEAD	6D68-1053	→	→	→
111	GASKET, VALVE PLATE	06DA502923	→	→	→
112	DOWEL, SUCTION VALVE	(4)7J1-6032	(4) →	(4) →	(4) →
<b>ACCESSORY GROUP</b>					
<b>CRANKCASE HEATER PACKAGES</b>					
126	NI STRAP ON 115V, 50W, 39" LEAD	06DA660091	→	→	→
126	NI STRAP ON 230V, 50W, 39" LEAD	06DA660092	→	→	→
	INCLUDES ITEM 127				
127	NI BRACKET	07DA500011	→	→	→
	INSERTION TYPE(CARTRIDGE)				
128	NI 120V, 180W, 73" LEAD	X	X	X	X
128	NI 240V, 180W, 73" LEAD	X	X	X	X
128	NI 480V, 125W, 73" LEAD	X	X	X	X
	INCLUDES:				
129	NI CLIP	X	X	X	X
130	NI SOLID MOUNT SPACER PACKAGE	30HR070-1071	→	→	→
131	NI COMPRESSOR INTERCONNECTION PKG	06DA900072	→	→	→
	INCLUDES ITEMS 132—133				
132	NI ADAPTER(1 1/2-18 X 1 1/8 ODS)	(2)30HH401051	(2) →	(2) →	(2) →
133	NI GASKET	(2)5F20-1631	(2) →	(2) →	(2) →
SOME 06D-109 MODELS MAY HAVE A 3/4 NPT SIGHT GLASS CONNECTION SEE PMB87-42 FOR INSTRUCTIONS.					
138	NI MUFFLER	X	X	X	50N7-1252
139	NI MOUNTING PLATE KIT	06EA660096	→	→	→
140	NI SUSPENSION KIT	06DA660058	→	→	→
	INCLUDES ITEMS 141—147				
141	NI SPRING, MOUNTING	(4)50K2-1231	(4) →	(4) →	(4) →
142	NI RETAINING, SPRING	(4)50K4-1221	(4) →	(4) →	(4) →
143	NI NUT, LOCK	(4)AT61JA241	(4) →	(4) →	(4) →
144	NI SNUBBER	(4)6D73-2241	(4) →	(4) →	(4) →
145	NI CUP, SNUBBER	(4)6D73-2251	(4) →	(4) →	(4) →
146	NI STUD	(4)NSS	(4) →	(4) →	(4) →
147	NI NUT, FLANGED	(8)NSS	(8) →	(8) →	(8) →

NOTE: See "Catalog Notes" on last page for explanation of symbolism.

ITEM	PART DESCRIPTION	06DA/DM/DX313	06DA/DM316	06DA/DM318	06DA/DM518	06DA/DM718	06DA/DM818
		6D45 4 CYL	6D43 4 CYL	6D44 4 CYL	6D48 4 CYL	6D47 4 CYL	6D48 4 CYL
<b>REPLACEMENT COMPRESSOR GROUP</b>							
AIR COND./MED. TEMP.							
	230-1-60	06DM3136FC0300	06DM3166AC0300	06DM3186FC0300	06DM5186AC0300	06DM7186AC0300	X
	208/230-3-60	06DM3136FC3200	X	06DM3186CC3200	X	X	06DM8186AC1200
	400/460-3-50/60	06DM3136FC3600	06DM3166AC0600	06DM3186CC3600	X	06DM7186AC0600	06DM8186AC0600
	575-3-60	06DM3136FC3100	06DM3166AC0100	06DM3186FC3100	X	06DM7186AC0100	06DM8186AC0100
	208-3-60	X	06DM3166AC0400	06DM3186CC3200	X	06DM7186AC0400	X
	230-3-60	X	06DM3166AC0500	06DM3186CC3200	X	06DM7186AC0500	X
<b>TERMINAL PLATE &amp; BOX GROUP</b>							
1 & 2	TERM. BOX & COVER KIT(3 x5 x6) 1 OR 2 OV/LDS, 1PH, 3PH XL	06DA660075	→	→	→	→	→
1 & 2	TERM. BOX & COVER KIT(3.4x6x6) UP TO 3 OV/LDS, 3PH XL	06DA660078	→	→	→	→	→
1 & 2	TERM. BOX & CVR. KIT(3 x6 x8) UP TO 6 OV/LDS, 3PH PW	06DA660088	→	→	→	→	→
EACH TERMINAL BOX & COVER KIT ALSO CONTAINS: LABELS, INSULATION AND MOUNTING HARDWARE							
3	NI TERMINAL PLATE PACKAGE INCLUDES ITEMS 3A-3H	06DA660045	→	→	→	→	→
3A	TERMINAL PLATE ASSY(6 PIN) INCLUDES ITEMS 3B-3E	NSS	→	→	→	→	→
3B	PHASE BARRIER(PLASTIC)	06DA503674	→	→	→	→	→
3C	NUT, TERMINAL(BRASS)	(6)06DA503262	(6) →	(6) →	(6) →	(6) →	(6) →
3D	WASHER, LOCKTOOTH	(6)AU29AR171	(6) →	(6) →	(6) →	(6) →	(6) →
3E	SPACER SLEEVE (BRASS)	(6)06DA502333	(6) →	(6) →	(6) →	(6) →	(6) →
3F	NI GASKET, TERMINAL PLATE	6D40-1061	→	→	→	→	→
3G	NI SPLICE	(2)NSS	(2) →	(2) →	(2) →	(2) →	(2) →
3H	NI SCREW, TERMINAL PLATE MTG	(4)NSS	(4) →	(4) →	(4) →	(4) →	(4) →
4B	GROMMET, MOTOR LEAD	6D40-1311	→	→	→	→	→
5	NI TERMINAL PACKAGE INCLUDES TERMINAL NUT & SCREW	06DA660095	→	→	→	→	→
		(6)SEE NOTE	(6) →	(6) →	(6) →	(6) →	(6) →
NOTE: FOR USE ON POWER LEADS THROUGH #5 WIRE GAUGE.							

NOTE: See "Catalog Notes" on last page for explanation of symbolism.





# AIR CONDITIONING MEDIUM TEMP REFRIGERATION COMPRESSORS

# 06D

ITEM	PART DESCRIPTION	06DA/DM313	06DA/DM316	06DA/DM318	06DA/DM518	06DA/DM718	06DA/DM818
		6D45 4 CYL	6D43 4 CYL	6D44 4 CYL	6D48 4 CYL	6D47 4 CYL	6D48 4 CYL
<b>OVERLOAD GROUP</b>							
6	NI VOLTAGE CODE						
	0300 230-1-60	HN69GZ301	X	HN69GZ301	HN69GZ214	HN69GZ301	X
	0400 200-3-60	(2)HN69GZ024	(2) →	(2) →	X	(2)HN69GZ024	(2)HN69GZ306
	0500 230-3-60	(2)HN69GZ031	(2) →	(2) →	X	(2)HN69GZ031	(2)HN69GZ214
	1200 208/230-3-60	X	X	X	X	X	(2)HN69GZ306
	0600 400/460-3-50/60	(2)HN69GZ014	(2) →	(2) →	X	(2)HN69GZ014	(2)HN69GZ025
	0100 575-3-60	(2)HN69GZ011	(2)HN69GZ032	(2) →	X	(2)HN69GZ032	(2)HN69GZ004
	0800 220-3-50	(2)HN69GZ053	(2) →	(2) →	(2)HN69GZ022	(2)HN69GZ004	(2)HN69GZ022
	1300 380-3-60	X	X	X	X	X	(2)HN69GZ025
	1400 200-3-60 PW	X	X	X	X	X	X
	1500 230-3-60 PW	X	X	X	X	X	X
	1800 220-3-50 PW	X	X	X	X	X	X
	3100 575-3-60	(2)HN69GZ032	(2) →	(2) →	X	(2)HN69GZ032	(2)HN69GZ037
	3200 208/230-3-60	(2)HN69GZ024	(2) →	(2) →	X	(2)HN69GZ024	(2)HN69GZ214
	3400 220-3-50	(2)HN69GZ031	X	(2)HN69GZ031	X	(2)HN69GZ031	(2)HN69GZ106
	3600 400/460-3-50/60	(2)HN69GZ014	(2) →	(2) →	X	(2)HN69GZ014	(2)HN69GZ038
	3900 415-3-50	(2)HN69GZ014	(2) →	(2)HN69GZ012	(2)HN69GZ014	(2) →	X
9	NI OVERLOAD SPACER PACKAGE(2PCS)	06DA660077	→	→	→	→	→
	WILL TAKE UP TO 6 OV/LDS						
	USED IN 5X6 & 6X8 TERM.BOX						
9	NI OVERLOAD SPACER PACKAGE	06DA403052	→	→	→	→	→
	WILL TAKE UP TO 4 OV/LDS						
	USED IN 6X8 TERM.BOX						
9	NI OVERLOAD SPACER PACKAGE	06DA403042	→	→	→	→	→
	WILL TAKE UP TO 2 OV/LDS						
	USED IN 6X6 TERM.BOX						
NOTE: OVERLOAD SPACERS ARE USED TO MOUNT O/L'S IN TERMINAL BOX.							

NOTE: See "Catalog Notes" on last page for explanation of symbolism.

ITEM	PART DESCRIPTION	06DA/DM313	06DA/DM316	06DA/DM318	06DA/DM518	06DA/DM718	06DA/DM818
		6D45 4 CYL	6D43 4 CYL	6D44 4 CYL	6D48 4 CYL	6D47 4 CYL	6D48 4 CYL
<b>SERVICE VALVE GROUP</b>							
12	NI SUCTION VALVE PACKAGE	06DA660064	→	→	→	→	→
	INCLUDES ITEMS 13-17						
13	SERVICE VALVE(1-1/8ODS,2BOLT)	EN07AA348	→	→	→	→	→
14	GASKET, VALVE(1.75 CTRS)	6D40-1131	→	→	→	→	→
15	CAPSCREW, VALVE MOUNTING	(2)NSS	(2) →	(2) →	(2) →	(2) →	(2) →
16	CAP. VALVE(MUELLER)	EN99ZA006	→	→	→	→	→
16A	CAP. VALVE(HENRY)	EN99ZA013	→	→	→	→	→
17	GASKET, VALVE CAP(MUELLER)	EN99ZA103	→	→	→	→	→
17A	GASKET, VALVE CAP(HENRY)	X	X	X	X	X	X
18	NI SUCTION VALVE PKG. (ALTERNATE)	X	X	X	X	X	X
	INCLUDES ITEMS 30-36						
13	SERVICE VALVE	X	X	X	X	X	X
14	GASKET, VALVE	X	X	X	X	X	X
15	CAPSCREW, VALVE MOUNTING	X	X	X	X	X	X
16	CAP. VALVE(MUELLER)	X	X	X	X	X	X
16A	CAP. VALVE(HENRY)	X	X	X	X	X	X
17	GASKET, VALVE CAP(MUELLER)	X	X	X	X	X	X
17A	GASKET, VALVE CAP(HENRY)	X	X	X	X	X	X
19	NI DISCHARGE VALVE PACKAGE	06DA660060	→	→	→	→	→
	INCLUDES ITEMS 20-24						
20	SERVICE VALVE(5/8ODS,2BOLT)	EN32AA250	→	→	→	→	→
21	GASKET, VALVE(1.62 CTRS)	6D23-1421	→	→	→	→	→
22	CAPSCREW, VALVE MOUNTING	(2)NSS	(2) →	(2) →	(2) →	(2) →	(2) →
23	CAP. VALVE(MUELLER)	EN99ZA001	→	→	→	→	→
23A	CAP. VALVE(HENRY)	X	X	X	X	X	X
24	GASKET, VALVE CAP(MUELLER)	EN99ZA102	→	→	→	→	→
24	GASKET, VALVE CAP(HENRY)	X	X	X	X	X	X
19	NI DISCHARGE VLV. PKG. (ALTERNATE)	06DA660061	→	→	→	→	→
	INCLUDES ITEMS 20-24						
20	SERVICE VALVE(7/8ODS,2BOLT)	EN07AA271	→	→	→	→	→
21	GASKET, VALVE(1.62 CTRS)	6D23-1421	→	→	→	→	→
22	CAPSCREW, VALVE MOUNTING	(2)NSS	(2) →	(2) →	(2) →	(2) →	(2) →
23	CAP. VALVE(MUELLER)	EN99ZA006	→	→	→	→	→
23A	CAP. VALVE(HENRY)	X	X	X	X	X	X
24	GASKET, VALVE CAP(MUELLER)	EN99ZA103	→	→	→	→	→
24A	GASKET, VALVE CAP(HENRY)	X	X	X	X	X	X
250	NI DISCHARGE BAFFLE PLT (NOTE)	06DA660103	→	→	→	→	→
	INCLUDES ITEMS 251-21						
251	NI PLATE, BAFFLE (3 HOLE)	NSS	→	→	→	→	→
21	GASKET	(2)6D23-1421	(2) →	(2) →	(2) →	(2) →	(2) →

DO NOT ORDER ITEM 250 UNLESS APPROVED BY DIST. SERVICE MANAGER.

NOTE: See "Catalog Notes" on last page for explanation of symbolism.



# AIR CONDITIONING MEDIUM TEMP REFRIGERATION COMPRESSORS

# 06D

ITEM	PART DESCRIPTION	06DA/DM313	06DA/DM316	06DA/DM318	06DA/DM518	06DA/DM718	06DA/DM818
		6D45 4 CYL	6D43 4 CYL	6D44 4 CYL	6D48 4 CYL	6D47 4 CYL	6D48 4 CYL
<b>COMPRESSOR BODY GROUP</b>							
	NI PAINT (SEA FOAM GREEN)	PH23QK016	→	→	→	→	→
25	NI GASKET SET (#)	6D43-172	→	→	→	→	→
26	HEAD,CYLINDER(CENTER)	X	X	X	X	X	X
27	HEAD,CYLINDER(NON/UNLOADING)	(2)6D40-2163	(2) style="text-align: center;">→	(2) style="text-align: center;">→	(2) style="text-align: center;">→	(2) style="text-align: center;">→	(2) style="text-align: center;">→
28	HEAD,CYL.(UNLOADING)HGBP	6D75-1204	X	X	X	X	6D75-1204
29	HEAD,CYL.(UNLOADING)SCOU*	06DA504614	→	→	→	→	→
30	GASKET,CYL.HEAD(CENTER)	X	X	X	X	X	X
31	GASKET,CYL.HEAD(NON/UNLOADING)	(2)6D40-1053	(2) style="text-align: center;">→	(2) style="text-align: center;">→	(2) style="text-align: center;">→	(2) style="text-align: center;">→	(2) style="text-align: center;">→
32	GASKET,CYL.HEAD(HGBP)	6D75-2672	X	X	X	X	6D75-2672
33	GASKET,CYL.HEAD(SCOU)*	06DA504594	→	→	→	→	→
34	CAPSCREW,CYL.HEAD(PLAIN)*	AA06BR237	→	→	→	→	→
35	CAPSCREW,CYL.HD./W/CAP CONT.*	AA06GR239	→	→	→	→	→
* QUANTITY REQUIRED IS DETERMINED BY QUANTITY AND TYPE OF CAPACITY CONTROL SYSTEM USED ON COMPRESSOR BEING SERVICED.							
# GASKET SET 6D43-172 CONTAINS ITEMS 3F,14,30,31,38,46,51,73,80,108 & 200.ALL VERSIONS OF EACH ITEM ARE INCLUDED,QUANTITIES SUFFICIENT FOR 2,4 OR 6 CYLINDER COMPRESSOR.							
36	SCREEN ASSEMBLY,OIL FILTER	6D40-103	→	→	→	→	→
37	PLUG,OIL BY-PASS (5/8-18 X 1/4 NPT)	5F20-1311	→	→	→	→	→
38	GASKET,OIL BY-PASS PLUG(5/8)	AU51YA011	→	→	→	→	→
39	TUBE,OIL SUCTION	6D40-1092	→	6D48-1092	→	→	→
40	VALVE ASSEMBLY,OIL RELIEF	6D40-212	→	6D23-522	6D23-212	→	→
INCLUDES ITEM 41							
41	NI NUT,COMPRESSION(1/2-20)	DC03CA076	→	X	X	X	X
42	SIGHTGLASS ASSEMBLY(1 1/2-18)	5F20-152	→	→	→	→	→
INCLUDES ITEM 43							
43	GASKET,SIGHTGLASS	5F20-1631	→	→	→	→	→
42B	ADAPTOR(1-1/2-18 X 1-1/8 ODS)	30HH401051	→	→	→	→	→
44	KIT,STATOR LOCKING	X	X	X	X	X	X
45	COVER,BOTTOM	6D40-1033	→	6D48-1274	→	→	→
46	GASKET,BOTTOM COVER	6D40-1043	→	→	→	→	→
47	CAPSCREW,BOTTOM PLATE	(16)AA06BR229	(16) style="text-align: center;">→	(16) style="text-align: center;">→	(16) style="text-align: center;">→	(16) style="text-align: center;">→	(16) style="text-align: center;">→
48	FOOT,COMPRESSOR(MOTOR END)	6D40-1042	→	6D48-2063	→	→	→
49	CAPSCREW,COMPRESSOR FOOT	(2)AA06BR229	(2) style="text-align: center;">→	(2) style="text-align: center;">→	(2) style="text-align: center;">→	(2) style="text-align: center;">→	(2) style="text-align: center;">→
49A	WASHER,EVERLOCK	(2)AU27AR241	(2) style="text-align: center;">→	(2) style="text-align: center;">→	(2) style="text-align: center;">→	(2) style="text-align: center;">→	(2) style="text-align: center;">→
50	COVER,MOTOR END	6D48-1024	→	→	→	→	→
51	GASKET,MOTOR END COVER	6F25-1013	→	→	→	→	→
52	CAPSCREW,MOTOR END COVER	(18)AA06BR262	(18) style="text-align: center;">→	(18) style="text-align: center;">→	(18) style="text-align: center;">→	(18) style="text-align: center;">→	(18) style="text-align: center;">→
53	STRAINER,SUCTION(CYLINDER)**	6D40-112	→	X	X	X	X
53A	STRAINER,SUCTION(FLAT TYPE)	6D48-303	→	→	→	→	→
53B	SCREW,SUCTION STRAINER MTG.	(6)06DA403092	(6) style="text-align: center;">→	(6) style="text-align: center;">→	(6) style="text-align: center;">→	(6) style="text-align: center;">→	(6) style="text-align: center;">→
** CYLINDER TYPE STRAINER 5.88 LG USED ONLY WITH PUMP END SUCT VALVE. FLAT TYPE STRAINER USED ONLY WITH 2-BOLT MOTOR END SUCTION VALVES. MESH CUP STRAINER USED ONLY WITH 4-BOLT MOTOR END SUCTION VALVES.							
54	PLATE,BAFFLE(OLDER UNITS ONLY)	6D40-1172	→	X	X	X	X
55	ROLLPIN(STATOR TO CRANKCASE)	AX14CA135	→	→	→	→	→
56	VALVE ASSEMBLY,CHECK	6D40-162	→	→	→	→	→
57	PLUG,PIPE(1/4"HEX HEAD)	(4)CA63AA051	(4) style="text-align: center;">→	(4) style="text-align: center;">→	(4) style="text-align: center;">→	(4) style="text-align: center;">→	(4) style="text-align: center;">→
58	VALVE ASSEMBLY,LOW PRESS.CONN.	06DA403844	→	→	→	→	→
59	CAP,VALVE(7/16-20)	DD19CA061	→	→	→	→	→

NOTE: See "Catalog Notes" on last page for explanation of symbolism.



ITEM	PART DESCRIPTION	06DA/DM313	06DA/DM316	06DA/DM318	06DA/DM518	06DA/DM718	06DA/DM818
		6D45 4 CYL	6D43 4 CYL	6D44 4 CYL	6D48 4 CYL	6D47 4 CYL	6D48 4 CYL
<b>PUMP END GROUP</b>							
60	NI BEARING HEAD PACKAGE	6D68-952	→	→	→	→	→
	INCLUDES ITEMS 62-80						
BEARING HEAD PACKAGE HAS 1/8 NPT CONNECTION FOR OIL SAFETY SWITCH WHICH IS NOT PART OF ITEM 60. ORDER SWITCH P529-2110 IF REQUIRED.							
62	BEARING HEAD ASSEMBLY	NSS	→	→	→	→	→
	INCLUDES ITEMS 63-69						
63	BEARING HEAD	NSS	→	→	→	→	→
64	ROTOR, PUMP	NSS	→	→			
65	VANE, PUMP	(2)NSS	(2) →	(2) →	(2) →	(2) →	(2) →
66	SPRING, VANE	(2)NSS	(2) →	(2) →	(2) →	(2) →	(2) →
67	GUIDE, SPRING	(2)NSS	(2) →	(2) →	(2) →	(2) →	(2) →
68	RING, RETAINING	(2)NSS	(2) →	(2) →	(2) →	(2) →	(2) →
69	RING, ROTOR RETAINING	NSS	→	→	→	→	→
70	GASKET, CAPSCREW(5/16)	(4)AU51YA003	(4) →	(4) →	(4) →	(4) →	(4) →
71	SCREW, HEX HEAD CAP	(4)AA06GR199	(4) →	(4) →	(4) →	(4) →	(4) →
72	PLATE, COVER	06DA502972	→	→	→	→	→
73	GASKET, COVER PLATE	6D40-1061	→	→	→	→	→
74	SPRING, GUIDE VANE	6D40-1112	→	→	→	→	→
75	VANE, GUIDE	6D40-1171	→	→	→	→	→
76	DRIVE SEGMENT, OIL PUMP	6D40-1191	→	→	→	→	→
77	SCREW, SOCKET HEAD	(2)NSS	(2) →	(2) →	(2) →	(2) →	(2) →
78	LOCKWASHER	(2)NSS	(2) →	(2) →	(2) →	(2) →	(2) →
79	SCREW, HEX HEAD CAP	(8)NSS	(8) →	(8) →	(8) →	(8) →	(8) →
80	GASKET, BEARING HEAD	6D40-1022	→	→	→	→	→
<b>DRIVE TRAIN GROUP</b>							
81	SHAFT, ECCENTRIC	06DA504874	→	X	X	X	X
81A	CRANKSHAFT	X	X	6D48-403	→	→	→
81B	NI CRANKSHAFT(.010 UNDERSIZE)	X	X	06DA660079	→	→	→
OLDER UNDERSIZE SHAFTS ARE IDENTIFIED BY AN "A" STAMPED ON ONE OR BOTH ENDS OF SHAFT.							
NEWER UNDERSIZE SHAFTS ARE IDENTIFIED BY REFERRING TO DETAIL "C" ON PAGE 12 OF THIS CATALOG.							
82	SIDE SHIELD, ECCENTRIC STRAP	(2)06DA503033	(2) →	X	X	X	X
83	COUNTERWEIGHT, PUMP END	06DA503003	→	X	X	X	X
84	COUNTERWEIGHT, MOTOR END	06DA503023	→	X	X	X	X
85	THRUSTWASHER	X	X	X	X	X	X
86	PIN, SPIROL(THRUSTWASHER)	X	X	X	X	X	X
87	LOCKWASHER, ROTOR(1.75DIA)	06DA503112	→	→	→	→	→
88	LOCKWASHER(5/8)SPT. STAR	06DA503102	→	→	→	→	→
89	TUBE-ASSEMBLY, EQUALIZER	6D48-122	→	→	→	→	→
95	KEY, ROTOR(1/4 X 1/4 X 3)	AW01DA103	→	→	→	→	→

NOTE: See "Catalog Notes" on last page for explanation of symbolism.

ITEM	PART DESCRIPTION	06DA/DM313	06DA/DM316	06DA/DM318	06DA/DM518	06DA/DM718	06DA/DM818
		6D45 4 CYL	6D43 4 CYL	6D44 4 CYL	6D48 4 CYL	6D47 4 CYL	6D48 4 CYL
<b>DRIVE TRAIN GROUP CONT'D</b>							
90	NI PISTON & PIN PKG. (A/C) (2" DIA BORE) (FLAT TOP DESIGN) INCLUDES ITEMS 23-25	(4)06DA660108	(4)6D68-962	(4)6D44-962	(4)6D43-962	(4) →	(4) →
91	PISTON	NSS	→	→	→	→	→
92	PIN, PISTON	NSS	→	→	→	→	→
93	RETAINING RING, PISTON PIN	(2)6D43-1651	(2) →	(2) →	(2) →	(2) →	(2) →
NOTE: THE 6D40-962 BELOW IS NOT TO BE USED IN 06D-313---30 LOW CLEARANCE MODEL COMPRESSOR. PISTON FOR THIS MODEL IS NLA.							
90	NI PISTON & PIN PKG. (A/C) (NOTE) (1.81" DIA BORE) (FLAT TOP DESIGN) INCLUDES ITEMS 91-93	(4)6D40-962	X	X	X	X	X
91	PISTON	NSS	X	X	X	X	X
92	PISTON, PIN	NSS	X	X	X	X	X
93	RETAINING RING, PISTON PIN	(2)6D43-1651	X	X	X	X	X
90	NI PISTON & PIN PKG (A/C)* (.020 OVERSIZED)(2.020 BORE) (FLAT TOP DESIGN) INCLUDES ITEMS 91-93	06DA660066	→	06DA660068	06DA660067	→	→
91	PISTON	NSS	→	→	→	→	→
92	PISTON, PIN	NSS	→	→	→	→	→
93	RETAINING RING, PISTON PIN	(2)6D43-1651	(2) →	(2) →	(2) →	(2) →	(2) →
* IDENTIFIED BY ".020" STAMPED ON CYLINDER DECK NEXT TO EACH OVER-SIZED PISTON. CHECK NEAR EACH. NOT ALL MAY BE MARKED, ONLY 1 OR 2.							

NOTE: See "Catalog Notes" on last page for explanation of symbolism.

ITEM	PART DESCRIPTION	06DA/DM313	06DA/DM316	06DA/DM318	06DA/DM518	06DA/DM718	06DA/DM818
		6D45 4 CYL	6D43 4 CYL	6D44 4 CYL	6D48 4 CYL	6D47 4 CYL	6D48 4 CYL
<b>DRIVE TRAIN GROUP CONT'D</b>							
96	ECCENTRIC STRAP	(4)5D40-1372	(4) →	X	X	X	X
96	NI CONNECTION ROD & CAP ASSY.	X	X	(4)06DA660041	(4) →	(4) →	(4)06DA660109
	INCLUDES ITEMS 97-99						
97	CONNECTION ROD & CAP	X	X	NSS	→	→	→
98	CAPSCREW, SELF LOCK	X	X	(2)06DA502763	(2) →	(2) →	(2) →
99	PIN, DOWEL	X	X	(2)7J1-6032	(2) →	(2) →	(2) →
96	NI CONN. ROD & CAP ASSY. (-.010)	X	X	(4)06DA660048	(4) →	(4) →	(4)06DA660110
	INCLUDES ITEMS 97-99						
97	CONNECTION ROD & CAP	X	X	NSS	→	→	→
98	CAPSCREW, SELF LOCK	X	X	(2)06DA502763	(2) →	(2) →	(2) →
99	PIN, DOWEL	X	X	(2)7J1-6032	(2) →	(2) →	(2) →
100	RING, COMPRESSION (2.00 DIA)	(4)AU50CP355	(4) →	(4) →	(4) →	(4) →	(4) →
100	RING, COMPRESS (2 DIA, X + .020)	06DA660069	→	→	→	→	→
	PKG OF 12 RINGS (.020 OVERSIZE)						
100	RING, COMPRESSION (1.81 DIA)	X	X	X	X	X	X
101	RING, OIL (2.00 DIA) (NOT USED CURRENTLY)	(4)AU50CP245	(4) →	(4) →	(4) →	(4) →	(4) →
101	RING, OIL (2.00 DIA) (+ .020)	06DA660070	→	→	→	→	→
	PKG OF 12 RINGS (.020 OVERSIZE)						
101	RING, OIL (1.81 DIA)	X	X	X	X	X	X
<b>VALVE PLATE GROUP</b>							
102	NI VALVE PLT PKG (R.H.) (NOTE)	06DA660037	X	X	X	X	X
102A	NI VALVE PLT PKG (L.H.) (NOTE)	06DA660038	X	X	X	X	X
NOTE: ABOVE LISTED ITEMS 102 FOR 1.81 CYL. BORE 013 & 313 MODELS ONLY							
	EACH INCLUDES ITEMS 103-110						
103	VALVE PLATE ASSMBLY	NSS	X	X	X	X	X
	INCLUDES ITEMS 104-107						
104	VALVE, DISCHARGE	(2)6D75-1062	X	X	X	X	X
105	STOP, DISCHARGE VALVE	(2)6D75-1052	X	X	X	X	X
106	SCREW, HEX HD 1/4-28X3/8 LG	(4)AB06G0164	X	X	X	X	X
107	LOCKWASHER	(4)AU61ML171	X	X	X	X	X
108	GASKET, VALVE PLATE	6D40-1073	X	X	X	X	X
31	GASKET, CYLINDER HEAD (PLAIN)	6D40-1053	X	X	X	X	X
109	VALVE, SUCTION (1.81 BORE)	(2)6D45-1072	X	X	X	X	X
110	SPRING, SUCTION VALVE POSITION	(2)NSS	X	X	X	X	X
NOTE: SUCTION PORT IN VALVE PLATE IS TO BE AT MOTOR END SO PLATE ASSY 037 MOUNTS TO RIGHT BANK WHEN VIEWED FROM PUMP END OF COMPR. THIS RIGHT OR LEFT HAND ONLY APPLIES TO 1.81 CYL BORE MODELS . . .							
195	NI VALVE PLATE PKG (HI-EFF/A/C) (2.00 CYLINDER BORE)	06DA660093	→	→	→	→	→
ITEM 195 IS USED IN HI-EFFICIENCY MODELS 06D-----3100, 3200, 3600 ETC.							
	EACH INCLUDES ITEM 196-202						
196	VALVE PLATE ASSY	NSS	→	→	→	→	→
	INCLUDES ITEMS 197-199						
197	VALVE, DISCHARGE	(2)06DA502913	(2) →	(2) →	(2) →	(2) →	(2) →
198	STOP, DISCHARGE VALVE	(2)06DA502893	(2) →	(2) →	(2) →	(2) →	(2) →
199	SCREW, HEX HEAD	(4)AB06G0164	(4) →	(4) →	(4) →	(4) →	(4) →
200	GASKET, VALVE PLATE	6D43-1073	→	→	→	→	→
31	GASKET, CYLINDER HEAD (PLAIN)	6D43-1053	→	→	→	→	→
33	GASKET, CYL. HD (STL) (SCOU)	06DA504584	→	→	→	→	→
201	VALVE, SUCTION (HI-EFF)	(2)06DA502903	(2) →	(2) →	(2) →	(2) →	(2) →
110	SPRING, SUCTION VALVE	(2)NSS	(2) →	(2) →	(2) →	(2) →	(2) →
30	GASKET, CYL. HEAD (CENTER)	6D68-1053	→	→	→	→	→
202	GASKET, VALVE PLATE (STEEL)	06DA502923	→	→	→	→	→

NOTE: See "Catalog Notes" on last page for explanation of symbolism.



ITEM	PART DESCRIPTION	06DA/DM313	06DA/DM316	06DA/DM318	06DA/DM518	06DA/DM718	06DA/DM818
		6D45 4 CYL	6D43 4 CYL	6D44 4 CYL	6D48 4 CYL	6D47 4 CYL	6D48 4 CYL
<b>VALVE PLATE GROUP CONT'D</b>							
112	NI VALVE PLATE PKG (HGBPIA/C ONLY)	6D73-253	X	X	X	X	6D73-253
	INCLUDES ITEMS 113-110						
113	VALVE PLATE ASSEMBLY	NSS	X	X	X	X	NSS
	INCLUDES ITEMS 114-122						
114	VALVE, DISCHARGE	(2)6D75-1062	X	X	X	X	(2)6D75-1062
115	STOP, DISCHARGE VALVE	(2)6D75-1062	X	X	X	X	(2)6D75-1062
116	SCREW, HEX HEAD(1/4-28 X 3/8)	(4)AB06G0164	X	X	X	X	(4)AB06G0164
117	LOCKWASHER (1/4)	(4)AU61ML171	X	X	X	X	(4)AU61ML171
118	PISTON, CHECK VALVE	06DA502322	X	X	X	X	06DA502322
119	BODY, CHECK VALVE	06DA502342	X	X	X	X	06DA502342
120	SPRING, CHECK VALVE	6D75-2081	X	X	X	X	6D75-2081
121	SCREW, ROUND HEAD(#6-32)	(2)AC15AAD82	X	X	X	X	(2)AC15AAD82
122	LOCKWASHER(#6)	(2)AU11AR081	X	X	X	X	(2)AU11AR081
123	GASKET, VALVE PLATE	6D43-1073	X	X	X	X	6D43-1073
32	GASKET, CYLINDER HEAD(UNLOADER)	6D75-2672	X	X	X	X	6D75-2672
124	VALVE, SUCTION	(2)6D48-1072	X	X	X	X	(2)6D48-1072
110	SPRING, SUCTION VALVE POSITION	(2)NSS	X	X	X	X	(2)NSS
125	DOWEL, SUCT. VALVE(NOT IN 112)	(8)J1-6032	(8) →	(8) →	(8) →	(8) →	(8) →
THE 6D75-253 VALVE PLATE IS USED ON ONLY SOME 313 & 818 MODELS WITH CLEARANCE FOR CHECK VALVE. REPLACEMENT COMPRESSOR WILL PROBABLY NOT HAVE THIS CLEARANCE. REPLACE WITH SCOU CYL HEAD ASSY & STD VALVE PLT. SUCTION CUTOFF DOES NOT REQUIRE SPECIAL VALVE PLATE, USE 06DA660093.							

NOTE: See "Catalog Notes" on last page for explanation of symbolism.

ITEM	PART DESCRIPTION	06DA/DM313	06DA/DM316	06DA/DM318	06DA/DM518	06DA/DM718	06DA/DM818
		6D45 4 CYL	6D43 4 CYL	6D44 4 CYL	6D48 4 CYL	6D47 4 CYL	6D48 4 CYL
<b>ACCESSORY GROUP</b>							
126	NI CRANKCASE HEATER PACKAGES						
126	NI STRAP ON 115V,50W,39" LEAD	06DA660091	→	X	X	X	X
126	NI STRAP ON 230V,50W,39" LEAD	06DA660092	→	X	X	X	X
126	NI STRAP ON 230V,100W,52" LEAD	HT32B0346	→	X	X	X	X
	INCLUDES ITEM 127						
127	NI BRACKET(CARTRIDGE)	07DA500011	→	X	X	X	X
128	NI INSERT TYPE 115V,180W,73" LEAD	X	X	38A0660003	→	→	→
128	NI INSERT TYPE 230V,180W,73" LEAD	X	X	38A0660004	→	→	→
128	NI INSERT TYPE 480V,125W,73" LEAD	X	X	06EA660076	→	→	→
	INCLUDES ITEM 129						
129	NI CLIP	X	X	AS81VF056	→	→	→
130	NI SOLID MOUNT SPACER PACKAGE	30HR070-1071	→	→	→	→	→
131	NI COMPRESSOR INTERCONNECTION PKG	06DA900072	→	→	→	→	→
	INCLUDES ITEMS 132-133						
132	NI ADAPTER(1 1/2-18 X 1 1/8 ODS)	(2)30HH4011051	(2) →	(2) →	(2) →	(2) →	(2) →
133	NI GASKET	(2)5F20-1631	(2) →	(2) →	(2) →	(2) →	(2) →
138	NI MUFFLER (AVAIL TILL DEPLETED)	50N7-1252	→	50K12-4503	→	→	→
138	NI MUFFLER	06DA605594	→	06DA605604	→	→	→
<b>MUFFLERS MAY BE MOUNTED IN HORIZONTAL OR VERTICAL POSITION.</b>							
139	NI MOUNTING PLATE KIT	06EA660096	→	→	→	→	→
140	NI SUSPENSION KIT	06DA660056	→	→	→	→	→
	INCLUDES ITEMS 141-147						
141	NI SPRING, MOUNTING	(4)50K4-1231	(4) →	(4) →	(4) →	(4) →	(4) →
142	NI RETAINING, SPRING	(2)50K4-1221	(2) →	(2) →	(2) →	(2) →	(2) →
143	NI NUT, LOCK	(4)AT61JA241	(4) →	(4) →	(4) →	(4) →	(4) →
144	NI SNUBBER	(4)6D73-2241	(4) →	(4) →	(4) →	(4) →	(4) →
145	NI CUP, SNUBBER	(4)6D73-2251	(4) →	(4) →	(4) →	(4) →	(4) →
146	NI STUD	(4)NSS	(4) →	(4) →	(4) →	(4) →	(4) →
147	NI NUT, FLANGED	(8)NSS	(8) →	(8) →	(8) →	(8) →	(8) →
150	NI CAPACITY CONTROL ACCY. PKG.	06DA660089	→	→	→	→	→
	ELECTRIC SCOU(LESS COIL)						
	INCLUDES						
	CYLINDER HEAD ASSEMBLY	NSS	→	→	→	→	→
	INCLUDES ITEMS 29-162						
29	CYLINDER HEAD	06DA504614	→	→	→	→	→
151	PISTON	06DA503073	→	→	→	→	→
152	GASKET, UNLOADER VALVE	06EA501253	→	→	→	→	→
153	VALVE, BODY	06DA502963	→	→	→	→	→
154	SPRING, COMPRESSION	06DA502953	→	→	→	→	→
155	COVER, VALVE	06DA502973	→	→	→	→	→
156	GASKET, VALVE COVER	06DA502983	→	→	→	→	→
157	VALVE BODY ASSY(LESS COIL)	06DA405264	→	→	→	→	→
159	STRAINER	6D75-6D1	→	→	→	→	→
160	SCREW, SOC HD (1/4-28 X 3/4)	(7)AB44AA168	(7) →	(7) →	(7) →	(7) →	(7) →
161	GASKET, SOCKET HEAD SCR	(3)AU52YA171	(3) →	(3) →	(3) →	(3) →	(3) →
162	RING, SEAL	06DA503083	→	→	→	→	→

NOTE: See "Catalog Notes" on last page for explanation of symbolism.

ITEM	PART DESCRIPTION	06DA/DM313	06DA/DM316	06DA/DM318	06DA/DM518	06DA/DM718	06DA/DM818
		6D45 4 CYL	6D43 4 CYL	6D44 4 CYL	6D48 4 CYL	6D47 4 CYL	6D48 4 CYL
<b>ACCESSORY GROUP CONT'D</b>							
163	NI CAPACITY CONTROL ACCY.PKG.	06DA660090	→	→	→	→	→
	PRESSURE SCOU						
	INCLUDES						
	CYLINDER HEAD ASSEMBLY	NSS	→	→	→	→	→
	INCLUDES ITEMS 29-162						
29	CYLINDER HEAD	06DA504614	→	→	→	→	→
151	PISTON	06DA503073	→	→	→	→	→
152	GASKET, UNLOADER VALVE	06DA501253	→	→	→	→	→
153	VALVE, BODY	06DA502963	→	→	→	→	→
154	SPRING, COMPRESSION	06DA502953	→	→	→	→	→
155	COVER, VALVE	06DA502973	→	→	→	→	→
156	GASKET, VALVE COVER	06DA502983	→	→	→	→	→
158	VALVE BODY ASSY(PRESSURE)	06DA404294	→	→	→	→	→
159	STRAINER	6D75-601	→	→	→	→	→
160	SCREW, SOCKET HEAD(1/4-28X3/4)	(7)AB44AA168	(7) →	(7) →	(7) →	(7) →	(7) →
161	GASKET, SOCKET HEAD SCREW	(3)AU52YA171	(3) →	(3) →	(3) →	(3) →	(3) →
162	RING, SEAL	06DA503083	→	→	→	→	→
<b>EACH CAPACITY CONTROL ACCESSORY PACKAGE INCLUDES ITEMS 33-108:</b>							
33	GASKET, CYLINDER HEAD	06DA504594	→	→	→	→	→
35	BOLTS, CYLINDER HEAD	(8)AA06BR239	(8) →	(8) →	(8) →	(8) →	(8) →
164	STUDS, CYLINDER HEAD FAN	(2)NSS	(2) →	(2) →	(2) →	(2) →	(2) →
108	GASKET, VALVE PLATE	6D43-1073	→	→	→	→	→
	COILS, UNLOADER VLV. (ALCO)						
165	24-1-50/60	EF19ZE024	→	→	→	→	→
166	120-1-50/60	EF19ZE120	→	→	→	→	→
167	208/240-1-50/60	EF19ZE240	→	→	→	→	→
<b>ALCO VALVES ARE IDENTIFIED BY SNAP CAP HOLDING COIL ON STEM.</b>							
	COILS, UNLOADER VLV.(CCA)						
168	208/240-1-50/60	06EA401303	→	→	→	→	→
169	120-1-50/60	06EA401313	→	→	→	→	→
<b>CCA VALVES ARE IDENTIFIED BY HEX NUT HOLDING COIL ON STEM.</b>							
170	NI CONTROL VALVE PKG(PRESSURE)	06EA660100	→	→	→	→	→
	(FOR SCOU OR HGBP)						
	INCLUDES ITEMS 158-161						
158	VALVE, CAP. CAPACITY (PRESS)	06EA404294	→	→	→	→	→
171	PISTON ASSEMBLY(NOT FOR SCOU)	NSS	→	→	→	→	→
152	GASKET, UNLOADER	06EA501253	→	→	→	→	→
172	NI WRENCH, ALLEN (SPECIAL)	06EA680036	→	→	→	→	→
160	SCREW, SOCKET HD.(1/4-28 X 3/4)	(3)AB44AA168	(3) →	(3) →	(3) →	(3) →	(3) →
161	GASKET, SOCKET HEAD SCREW	(3)AU52YA171	(3) →	(3) →	(3) →	(3) →	(3) →
173	CONTROL VALVE PKG(ELECTRIC)	06EA660135	→	→	→	→	→
	(FOR SCOU OR HGBP)						
	INCLUDES ITEMS 157-161						
157	VALVE BODY ASSEMBLY(LESS COIL)	06DA405264	→	→	→	→	→
152	GASKET, UNLOADER	06EA501253	→	→	→	→	→
171	PISTON	NSS	→	→	→	→	→
160	SCREW, SOCKET HEAD	(3)AB44AA168	(3) →	(3) →	(3) →	(3) →	(3) →
161	GASKET, SOCKET HEAD SCREW	(3)AU52YA171	(3) →	(3) →	(3) →	(3) →	(3) →

NOTE: See "Catalog Notes" on last page for explanation of symbolism.



ITEM	PART DESCRIPTION	06DA/DM313	06DA/DM316	06DA/DM318	06DA/DM518	06DA/DM718	06DA/DM818
		6D45 4 CYL	6D43 4 CYL	6D44 4 CYL	6D48 4 CYL	6D47 4 CYL	6D48 4 CYL
<b>ACCESSORY GROUP CONT'D</b>							
210	NI REWORK KIT (SCOU)	06DA660111	→	→	→	→	→
	INCLUDES ITEMS 151-162						
151	PISTON	06DA503072	→	→	→	→	→
152	GASKET, UNLOADER VALVE	06EA501253	→	→	→	→	→
153	VALVE BODY	06DA502963	→	→	→	→	→
154	SPRING, COMPRESSION	06DA502953	→	→	→	→	→
156	GASKET, VALVE COVER	06DA502983	→	→	→	→	→
159	STRAINER	6D75-601	→	→	→	→	→
162	RING, PISTON	06DA503083	→	→	→	→	→
211	NI BLOCKING KIT	06DA660112	→	→	→	→	→
	(TO CHG. SCOU TO FULLY LOADED)						
	INCLUDES ITEMS 152-161						
152	GASKET, UNLOADER VALVE	06EA501253	→	→	→	→	→
205	SLEEVE, BLOCKING	06DA502993	→	→	→	→	→
206	PLATE, COVER	06DA501032	→	→	→	→	→
207	SCREW, SOCKET CAP	(3)AB44AA170	(3) →	(3) →	(3) →	(3) →	(3) →
161	GASKET, SOCKET CAP SCREW	(3)AU51YA171	(3) →	(3) →	(3) →	(3) →	(3) →
212	NI BLOCKING KIT	06DA660113	X*	X	X	X	06DA660113
	(TO CHG HGBP TO FULLY LOADED)						
	INCLUDES ITEMS 152-161						
152	GASKET, UNLOADER VALVE	06EA501253	X	X	X	X	06EA501253
212	SPRING	06DA500061	X	X	X	X	06DA500061
213	PLUG	06DA501072	X	X	X	X	06DA501072
214	SEAT RING	06DA500051	X	X	X	X	06DA500051
206	PLATE, COVER	06DA501032	X	X	X	X	06DA501032
207	SCREW, SOC HD CAP	(3)AB44AA170	X	X	X	X	(3)AB44AA170
161	GASKET, SOC CAP SCREW	(3)AU52YA171	X	X	X	X	(3)AU52YA171

NOTE: See "Catalog Notes" on last page for explanation of symbolism.

ITEM	PART DESCRIPTION	06DA/DM/DX724	06DA/DM/DX824	06DA/DM/DX328	06DA/DM/DX337	06DA/DM/DX537
		6D63 6 CYL	X X	X X	X X	X X
		6D67 6 CYL	6D68 6 CYL	X 6 CYL	6D73 6 CYL	6D75 6 CYL
<b>REPLACEMENT COMPRESSOR GROUP</b>						
<b>AIR COND./MED.TEMP.</b>						
	200-3-60 PW	X	06D( )8246( )C1400	X	06D( )3376( )C1400	06D( )5376( )C1400
	220-3-50 PW	X	X	X	X	06D( )5376( )C1800
	220-3-50 XL	06DX7246( )C0800	06D( )8246( )C0800	06D( )3286( )C0800	06D( )3376( )C0800	06D( )5376( )C0800
	230-3-60 PW	X	06D( )8246( )C1500	X	06D( )3376( )C1500	06D( )5376( )C1500
	208/230-3-60 XL	06DX7246AC1200	06D( )8246( )C1200	06D( )3286( )C1200	06D( )3376( )C1200	06D( )5376( )C1200
	415-3-50 PW	X	X	X	06D( )3376( )C3800	X
	415-3-50 XL	X	X	X	06D( )3376( )C3900	X
	400/460-3-50/60 XL	06DX7246AC0600	06D( )8246( )C0600	06D( )3286( )C0600	06D( )3376( )C0600	06D( )5376( )C0600
	400/460-3-50/60 XL	X	X	X	06D( )3376( )C3600	X
	575-3-60 XL	06DX7246AC0100	06D( )8246( )C0100	06D( )3286( )C0100	06D( )3376( )C0100	06D( )5376( )C0100
	575-3-60 XL	X	06D( )8246( )C3100	X	06DM3376DC3100	06D( )5376( )C3100
<b>TERMINAL PLATE &amp; BOX GROUP</b>						
1 & 2	TERM. BOX & COVER KIT(3 x5 x6) 1 OR 2 O/LS.10/30 XL	06DA660075	→	→	→	→
1 & 2	TERM. BOX & COVER KIT(3.4x6x6) UP TO 3 O/LS.30 XL	06DA660078	→	→	→	→
1 & 2	TERM. BOX & CVR.KIT(3 x6 x8) UP TO 6 O/LS.30 PW:OR 208/230 06D( )537-1200	06DA660088	→	→	→	→
EACH TERMINAL BOX & COVER KIT ALSO CONTAINS: TERMINAL LUGS, LABELS, INSULATION AND ASSEMBLY HARDWARE.						
3	TERMINAL PLATE PACKAGE INCLUDES ITEMS 3A-3H	06DA660045	→	→	→	→
3A	TERMINAL PLATE ASSY(6 PIN) INCLUDES ITEMS 3B-3E	NSS	→	→	→	→
3B	PHASE BARRIER(PLASTIC)	06DA503674	→	→	→	→
3C	NUT, TERMINAL(BRASS)	(6)06DA503262	(6) →	(6) →	(6) →	(6) →
3D	WASHER, LOCKTOOTH	(6)AU29AR171	(6) →	(6) →	(6) →	(6) →
3E	SPACER SLEEVE (BRASS)	(6)06DA502333	(6) →	(6) →	(6) →	(6) →
3F NI	GASKET, TERMINAL PLATE	6D40-1061	→	→	→	→
3G	SPLICE	(2)NSS	(2) →	(2) →	(2) →	(2) →
3H	SCREW	(4)NSS	(4) →	(4) →	(4) →	(4) →
4B	GROMMET, MOTOR LEAD	6D40-1311	→	→	→	→
5 NI	TERMINAL PACKAGE INCLUDES	06DA660095 06DA660095				
NI	TERMINAL NUT & SET SCREW	(6)SEE NOTE	(6) →	(6) →	(6) →	
NOTE: FOR USE ON POWER LEADS THROUGH #5 WIRE GAUGE.						

NOTE: See "Catalog Notes" on last page for explanation of symbolism.

ITEM	PART DESCRIPTION	06DA/DM/DX724	06DA/DM/DX824	06DA/DM/DX328	06DA/DM/DX337	06DA/DM/DX537
		6D63 6 CYL	X X	X X	X X	X X
		6D67 6 CYL	6D68 6 CYL	X 6 CYL	6D73 6 CYL	6D75 6 CYL
<b>OVERLOAD GROUP</b>						
6	NI	VOLTAGE				
		0300 230-1-60	X	X	X	X
		0400 200-3-60 XL	(2)HN69GZ306	(2)HN69GZ309	(3)HN69GZ221	(4)HN69GZ214
		0500 230-3-60 XL	X	(2)HN69GZ306	(2)HN69GZ309	(4)HN69GZ307
		1200 208/230-3-60 XL	HN69GZ306	(2)HN69GZ309	(3)HN69GZ221	(4)HN69GZ214
		0600 400/460-3-50/60 XL	(2)HN69GZ025	(2)HN69GZ024	(2)HN69GZ301	(2)HN69GZ307
		0100 575-3-60 XL	(2)HN69GZ053	(2)HN69GZ025	(2)HN69GZ010	(2)HN69GZ301
		0800 220-3-50 XL	(2)HN69GZ022	(2)HN69GZ214	(2)HN69GZ306	(2)HN69GZ309
		1300 380-3-60 XL	X	(2)HN69GZ024	X	X
		1400 208-3-60 PW	X	X	X	(6)HN69GZ214
		1500 230-3-60 PW	X	X	X	(5)HN69GZ106
		1800 230-3-50 XL	X	X	(6)HN69GZ045	(5)HN69GZ044
		3100 575-3-60 XL	X	X	X	(2)HN69GZ025
		3200 208/230-3-60 XL	X	X	X	(3)HN69GZ309
		3600 380-3-60 XL	X	X	X	(2)HN69GZ024
		3800 415-3-50 PW	X	X	X	(6)HN69GZ004
7		THERMOSTAT PACKAGE (NOTE)	06DA660055	→	→	→
		INCLUDES ITEMS 8A-8E				
8A		INSULATOR, THERMAL (FISH PAPER)	6D40-1141	→	→	→
8B		THERMOSTAT (OPEN 160 F)	HH12HC161	→	→	→
8C		SLEEVE, THERMOSTAT (FISH PAPER)	6D23-1521	→	→	→
8D		WASHER (1-1/2 O.D. STEEL)	6D23-1511	→	→	→
8E		SPRING, THERMOSTAT (1.31 I.D.)	6D23-1531	→	→	→
NOTE: THE ABOVE THERMOSTAT PACKAGE (ITEM 7) IS USED ON PART WIND START MODELS ONLY.						
9	NI	OVERLOAD SPACER PACKAGE(2PCS)	06DA660077	AS REQUIRED	AS REQUIRED	AS REQUIRED
		WILL TAKE UP TO 6 OV/LDS				
		USED IN 5X6 & 6X8 TERM. BOX				
9	NI	OVERLOAD SPACER PACKAGE	06DA403052	AS REQUIRED	AS REQUIRED	AS REQUIRED
		WILL TAKE UP TO 4 OV/LDS				
		USED IN 6X8 TERM. BOX				
9	NI	OVERLOAD SPACER PACKAGE	06DA403042	AS REQUIRED	AS REQUIRED	AS REQUIRED
		WILL TAKE UP TO 2 OV/LDS				
		USED IN 6X6 TERM. BOX				
NOTE: OVERLOAD SPACERS ARE USED TO MOUNT O/L'S IN TERMINAL BOX.						

NOTE: See "Catalog Notes" on last page for explanation of symbolism.





# AIR CONDITIONING MEDIUM TEMP REFRIGERATION COMPRESSORS

# 06D

ITEM	PART DESCRIPTION	06DA/DM/DX724	06DA/DM/DX824	06DA/DM/DX328	06DA/DM/DX337	06DA/DM/DX537
		6D63 6 CYL	X X	X X	X X	X X
		6D67 6 CYL	6D68 6 CYL	X 6 CYL	6D73 6 CYL	6D75 6 CYL
<b>SERVICE VALVE GROUP</b>						
12	SUCTION VALVE PACKAGE	06DA660064	→	X	X	X
	INCLUDES ITEMS 13-17					
13	SERVICE VALVE(1-1/8ODS,2BOLT)	EN07AA348	→	X	X	X
14	GASKET,VALVE(1.75 CTRS)	6D40-1131	→	X	X	X
15	CAPSCREW,VALVE MOUNTING	(2)NSS	(2) →	X	X	X
16	CAP,VALVE(MUELLER)	EN99ZA006	→	X	X	X
16A	CAP,VALVE(HENRY)	EN99ZA013	→	X	X	X
17	GASKET,VALVE CAP(MUELLER)	EN99ZA103	→	X	X	X
17A	GASKET,VALVE CAP(HENRY)	X	X	X	X	X
12	SUCTION VALVE PACKAGE	06DA660063	→	X	X	X
	INCLUDES ITEMS 13-17					
13	SERVICE VALVE(1-1/8ODS,4BOLT)	EN07EA033	→	X	X	X
14	GASKET,VALVE	6D68-1131	→	X	X	X
15	CAPSCREW,VALVE MOUNTING	(4)NSS	(4) →	X	X	X
16	CAP,VALVE(MUELLER)	EN99ZA006	→	X	X	X
16A	CAP,VALVE(HENRY)	EN99ZA013	→	X	X	X
17	GASKET,VALVE CAP(MUELLER)	EN99ZA103	→	X	X	X
17A	GASKET,VALVE CAP(HENRY)	X	X	X	X	X
12	SUCTION VALVE PKG(ALTERNATE)	06DA660065	→	X	X	X
	INCLUDES ITEMS 13-17					
13	SERVICE VALVE(1-3/8ODS,4BOLT)	EN07EA039	→	X	X	X
14	GASKET,VALVE(1.75 CTRS)	6D68-1131	→	X	X	X
15	CAPSCREW,VALVE MOUNTING	(4)NSS	(4) →	X	X	X
16	CAP,VALVE(MUELLER)	EN99ZA006	→	X	X	X
16A	CAP,VALVE(HENRY)	X	X	X	X	X
17	GASKET,VALVE CAP(MUELLER)	EN99ZA103	→	X	X	X
17A	GASKET,VALVE CAP(HENRY)	X	X	X	X	X
12	SUCTION VALVE PACKAGE	X	X	06EA660090	→	→
	INCLUDES ITEMS 13-17					
13	SERVICE VALVE(1-5/8ODS,4BOLT)	X	X	EN07EA041	→	→
14	GASKET,VALVE	X	X	6D68-1131	→	→
15	CAPSCREW,VALVE MOUNTING	X	X	(4)NSS	(4) →	(4) →
16	CAP,VALVE(MUELLER)	X	X	EN99ZA006	→	→
16A	CAP,VALVE(HENRY)	X	X	EN99ZA013	→	→
17	GASKET,VALVE CAP(MUELLER)	X	X	EN99ZA103	→	→
17A	GASKET,VALVE CAP(HENRY)	X	X	X	X	X
250 NI	BAFFLE PLATE,DISCHARGE(A/C)	06DA660105	→	06DA660105	→	→
	INCLUDES ITEMS 251-14					
251 NI	PLATE,BAFFLE (6 HOLE)	NSS	→	NSS	→	→
14	GASKET	(2)6D40-1131	(2) →	(2)6D40-1131	(2) →	(2) →
<b>DO NOT ORDER IT. 250 UNLESS APPROVED BY DISTRIBUTOR SERVICE MANAGER</b>						
19	DISCHARGE VALVE PACKAGE	06DA660062	→	→	→	→
	INCLUDES ITEMS 20-24					
20	SERVICE VALVE(7/8ODS,2BOLT)	EN07AA284	→	→	→	→
21	GASKET,VALVE(1.62 CTRS)	6D40-1131	→	→	→	→
22	CAPSCREW,VALVE MOUNTING	(2)NSS	(2) →	(2) →	(2) →	(2) →
23	CAP,VALVE(MUELLER)	EN99ZA006	→	→	→	→
23	CAP,VALVE(HENRY)	X	X	X	X	X
24	GASKET,VALVE CAP(MUELLER)	X	X	X	X	X
24	GASKET,VALVE CAP(HENRY)	X	X	X	X	X
19	DISCHARGE VALVE PACKAGE	NOTE	NOTE	06DA660064	→	→
	INCLUDES ITEMS 20-24					
20	SERVICE VALVE(1-1/8ODS)	X	X	EN07AA348	→	→
21	GASKET,VALVE(1.62 CTRS)	X	X	6D40-1131	→	→
22	CAPSCREW,VALVE MOUNTING	X	X	(2)NSS	(2) →	(2) →
23	CAP,VALVE(MUELLER)	X	X	EN99ZA006	→	→
23	CAP,VALVE(HENRY)	X	X	EN99ZA013	X	X
24	GASKET,VALVE CAP(MUELLER)	X	X	EN99ZA103	→	→
24	GASKET,VALVE CAP(HENRY)	X	X	X	X	X
<b>NOTE: 06DA660064 VALVE PACKAGE CAN BE USED AS AN ALTERNATE ON THE 724 AND 824 AIR CONDITIONING MODELS.</b>						

**NOTE: See "Catalog Notes" on last page for explanation of symbolism.**



# AIR CONDITIONING MEDIUM TEMP REFRIGERATION COMPRESSORS

# 06D

ITEM	PART DESCRIPTION	06DA/DM/DX724	06DA/DM/DX824	06DA/DM/DX328	06DA/DM/DX337	06DA/DM/DX537
		6D63 6 CYL 6D67 6 CYL	X X 6D68 6 CYL	X X X 6 CYL	X X 6D73 6 CYL	X X 6D75 6 CYL
<b>COMPRESSOR BODY GROUP</b>						
	NI PAINT (SEA FOAM GREEN)	PH23QK016	→	→	→	→
25	NI GASKET SET ( # )	6D43-172	→	→	→	→
26	HEAD,CYLINDER(CENTER)	6D68-1023	→	→	→	→
27	HEAD,CYLINDER(NON/UNL)	(2)6D40-2163	(2)	(2)	(2)	(2)
28	HEAD,CYL.(UNLOADING)HGBP*	6D75-1204	→	6D75-1204	→	→
29	HEAD,CYL.(UNLOADING)SCOU*	06DA504614	→	→	→	→
30	GASKET,CYL.HEAD(CENTER)	6D68-1023	→	→	→	→
31	GASKET,CYL.HEAD(NON/UNL)	(2)6D40-1053	(2)	(2)	(2)	(2)
32	GASKET,CYL.HEAD(HGBP)*	6D75-2672	→	X	→	→
33	GASKET,CYL.HEAD(SCOU)*	06DA504594	→	→	→	→
34	CAPSCREW,CYL.HEAD(NON/UNL)	(16)AA06BR237	(16)	(16)	(16)	(16)
35	CAPSCREW,CYL.HEAD*	(8)AA06GR239	(8)	(8)	(8)	(8)
	(CENTERBANK & CAP CNTL.BANK)					
35A	STUD,FAN GUARD MOUNTING	(4)06DA503213	X	X	(4)06DA503213	X
<p>* QUANTITY REQUIRED IS DETERMINED BY NUMBER OF CYLINDER BANKS WITH UNLOADING (1 OR 2) AND WHAT TYPE OF SYSTEM IS USED.</p> <p>GASKET SET 6D43-172 CONTAINS ITEMS 3F,14,30,31,38,46,51,73,80,108 &amp; 200. ALL AVAILABLE VERSIONS OF EACH ITEM ARE INCLUDED. QUANTITIES ARE SUFFICIENT FOR 2,4 OR 6 CYLINDER.</p>						
36	SCREEN ASSEMBLY,OIL FILTER	6D40-103	→	→	→	→
37	PLUG,OIL BY-PASS (5/8-18X1/4NPT)	5F20-1131	→	→	→	→
38	GASKET,OIL BY-PASS PLUG(5/8)	AU51YA011	→	→	→	→
39	TUBE,OIL SUCTION	6D68-2153	→	6D75-2153	→	→
40	VALVE ASSEMBLY,OIL RELIEF	6D23-522	→	→	→	→
	INCLUDES ITEM 41					
41	NI NUT,COMPRESSION(1/2-20)	X	X	X	X	X
42	SIGHTGLASS ASSEMBLY(1 1/2-18)	5F20-152	→	→	→	→
	INCLUDES ITEM 43					
43	GASKET,SIGHTGLASS	5F20-1631	→	→	→	→
44	KIT,STATOR LOCKING	06DA660102	→	→	→	→
45	COVER,BOTTOM	6D68-1274	→	→	→	→
46	GASKET,BOTTOM COVER	6D68-1043	→	→	→	→
47	CAPSCREW,BOTTOM PLATE	(22)AA06BR235	(22)	(22)	(22)	(22)
48	FOOT,COMPRESSOR(MOTOR END)	X	X	X	X	X
49	CAPSCREW,COMPRESSOR FOOT	(2)AA06BR230	(2)	(2)	(2)	(2)
49A	WASHER,EVERLOCK	(2)AU27AR241	(2)	(2)	(2)	(2)
50	COVER,MOTOR END(2 BOLT VALVE)	6D48-1024	X	X	X	X
50	COVER,MOTOR END(4 BOLT VALVE)	06EA502224	→	→	→	→
51	GASKET,MOTOR END COVER	6F25-1013	→	(2)	→	→
51A	PLATE,RESTRICTOR(328 ONLY)	X	X	06DA501343	X	X
52	CAPSCREW,MTR.END COVER(1 1/4)	(18)AA06GR262	(18)	(18)	(18)	(18)
52	CAPSCREW,MTR.END COVER(3 1/2)	(18)AA06GR271	(18)	(18)	(18)	(18)
53	STRAINER,SUCTION(MESH CUP)	06DA402133	→	→	→	→
53	STRAINER,SUCTION (FLAT TYPE)	6D48-303	X	X	X	X
<p>FLAT TYPE STRAINER USED ONLY ON 2 BOLT MOTOR END SUCTION VALVE. MESH CUP STRAINER USED ONLY ON 4 BOLT MOTOR END SUCTION VALVE.</p>						
54	PLATE,BAFFLE(OLDER UNITS ONLY)	X	X	X	X	X
55	ROLLPIN(STATOR TO CRANKCASE)	AX14CA135	→	→	→	→
56	VALVE ASSEMBLY,CHECK	6D40-162	→	→	→	→
57	PLUG,PIPE(1/4" HEX HEAD)	(3)CA63AA051	(3)	(3)	(3)	(3)
58	VALVE ASSEMBLY,LOW PRESS.CONN.	06DA403844	→	→	→	→
59	CAP,VALVE(7/16-20)	DD19CA061	→	→	→	→

NOTE: See "Catalog Notes" on last page for explanation of symbolism.

Litho in U.S.A.



ITEM	PART DESCRIPTION	06DA/DM/DX724	06DA/DM/DX824	06DA/DM/DX328	06DA/DM/DX337	06DA/DM/DX537
		6D63 6 CYL	X X	X X	X X	X X
		6D67 6 CYL	6D68 6 CYL	X 6 CYL	6D73 6 CYL	6D75 6 CYL
<b>PUMP END GROUP</b>						
60	NI BEARING HEAD PACKAGE	6D68-952	→	→	→	→
	INCLUDES ITEMS 62-80					
BEARING HEAD PACKAGE HAS 1/8NPT CONNECTION FOR OIL SAFETY SWITCH WHICH IS NOT PART OF ITEM 60. ORDER SWITCH P529-2110 IF REQUIRED.						
62	BEARING HEAD ASSEMBLY	NSS	→	→	→	→
	INCLUDES ITEMS 63-69					
63	BEARING, HEAD	NSS	→	→	→	→
64	ROTOR, PUMP	NSS	→	→	→	→
65	VANE, PUMP	(2)NSS	(2) →	(2) →	(2) →	(2) →
66	SPRING, VANE	(2)NSS	(2) →	(2) →	(2) →	(2) →
67	GUIDE, SPRING	(2)NSS	(2) →	(2) →	(2) →	(2) →
68	RING, RETAINING	(2)NSS	(2) →	(2) →	(2) →	(2) →
69	RING, ROTOR RETAINING	NSS	→	→	→	→
70	GASKET, CAPSCREW(5/16)	(4)AU51YA005	(4) →	(4) →	(4) →	(4) →
71	SCREW, HEX HEAD CAP	(4)AA06GR199	(4) →	(4) →	(4) →	(4) →
72	PLATE, COVER	7J1-6002	→	→	→	→
73	GASKET, COVER PLATE	6D40-1061	→	→	→	→
74	SPRING, GUIDE VANE	6D40-1112	→	→	→	→
75	VANE, GUIDE	6D40-1171	→	→	→	→
76	DRIVE SEGMENT, OIL PUMP	6D40-1191	→	→	→	→
77	SCREW, SOCKET HEAD	(2)NSS	(2) →	(2) →	(2) →	(2) →
78	LOCKWASHER	(2)NSS	(2) →	(2) →	(2) →	(2) →
79	SCREW, HEX HEAD CAP	(8)NSS	(8) →	(8) →	(8) →	(8) →
80	GASKET, BEARING HEAD	6D40-1022	→	→	→	→
<b>DRIVE TRAIN GROUP</b>						
81	SHAFT, ECCENTRIC	06DA504884	→	X	X	X
81A	CRANKSHAFT	X	X	06DA401782	6D75-722	→
81B	CRANKSHAFT(.010 UNDERSIZE)	X	X	06DA660080	06DA660081	→
OLDER UNDERSIZE SHAFTS ARE IDENTIFIED BY AN "A" STAMPED ON ONE OR BOTH ENDS OF SHAFT.						
NEWER UNDERSIZE SHAFTS ARE IDENTIFIED BY REFERRING TO DETAIL "C" ON PAGE 12 OF THIS CATALOG.						
82	SIDE SHIELD, ECCENTRIC STRAP	(3)06DA503033	(3) →	X	X	X
83	COUNTERWEIGHT, PUMP END	06DA503013	→	X	X	X
84	COUNTERWEIGHT, MOTOR END	6D68-1621	→	06DA503112	→	→
85	THRUSTWASHER	6D68-1491	→	→	→	→
86	PIN, SPIROL(THRUST WASHER)	AX13AA091	→	→	→	→
87	LOCKWASHER, ROTOR(1.75DIA)	X	X	X	X	X
88	LOCKWASHER(5/8)5 POINT STAR	06DA503102	→	→	→	→
89	TUBE ASSY, EQUALIZER(STD EFFIC)	6D73-122	6D63-122	6D72-122	→	6D75-122
89	TUBE ASSY, EQUALIZER (NOTE #6)	6D63-122	X	X	X	X
NOTE 6 ONLY USED WHEN COMPRESSOR HAS 2 CYLINDER BANKS OF SUCTION CUTOFF UNLOADING.						
89	TUBE ASSY, EQUALIZER (NOTE #7)	X	06DA405382	6D75-122	→	X
NOTE 7 USED ON HI-EFFIC MODELS 06D-824--3-00 OR 06D-328--3-00 ONLY						
95	KEY, ROTOR 1/4 X 1/4	AW01DA096	→	→	→	AW01DA100

NOTE: See "Catalog Notes" on last page for explanation of symbolism.





# AIR CONDITIONING MEDIUM TEMP REFRIGERATION COMPRESSORS

# 06D

ITEM	PART DESCRIPTION	06DA/DM/DX724	06DA/DM/DX824	06DA/DM/DX328	06DA/DM/DX337	06DA/DM/DX537
		6D63 6 CYL	X X	X X	X X	X X
		6D67 6 CYL	6D68 6 CYL	X 6 CYL	6D73 6 CYL	6D75 6 CYL
<b>DRIVE TRAIN GROUP CONT'D</b>						
90	NI PISTON & PIN PKG. (A/C) (2" DIA BORE) (FLAT TOP DESIGN)	(6)6D68-962	(6) →	(6)06DA660032	(6)06DR660003	(6) →
	INCLUDES ITEMS 91-93					
91	PISTON	NSS	→	NSS	→	→
92	PIN, PISTON	NSS	→	NSS	→	→
93	RETAINING RING, PISTON PIN	(2)6D43-1651	(2) →	(2) →	(2) →	(2) →
90	NI PISTON & PIN PKG. (A/C) * (.020 OVERSIZED) (FLAT TOP DESIGN)	06DA660066	→	06DA660071	06DA660084	→
	INCLUDES ITEMS 91-93					
91	PISTON	NSS	→	NSS	→	→
92	PISTON, PIN	NSS	→	NSS	→	→
93	RETAINING RING, PISTON PIN	(2)6D43-1651	(2) →	(2) →	(2) →	(2) →
(*) DETERMINE QUANTITY REQUIRED BY NUMBER OF CYLINDERS WHICH HAVE ".020" STAMPED ON CYLINDER DECK NEAR PISTON. NOT ALL CYLINDERS MAY BE OVERSIZED 1, 2, OR 3 ARE POSSIBLE.						

**NOTE:** See "Catalog Notes" on last page for explanation of symbolism.

Litho in U.S.A.

ITEM	PART DESCRIPTION	06DA/DM/DX724	06DA/DM/DX824	06DA/DM/DX328	06DA/DM/DX337	06DA/DM/DX537
		6D63 6 CYL	X X	X X	X X	X X
		6D67 6 CYL	6D68 6 CYL	X 6 CYL	6D73 6 CYL	6D75 6 CYL
<b>DRIVE TRAIN GROUP CONT'D</b>						
96	ECCENTRIC STRAP	(6)6D68-1442	(6) →	X	X	X
96 NI	CONNECTION ROD & CAP ASSY.	X	X	(6)06DA660042	(6) →	(6) →
	INCLUDES ITEMS 97-99					
97	CONNECTION ROD & CAP	X	X	NSS	→	→
98	CAPSCREW, SELF LOCK	X	X	(2)06DA502763	(2) →	(2) →
99	PIN, DOWEL	X	X	(2)7J1-6032	(2) →	(2) →
96 NI	CONN. ROD & CAP ASSY. (-.010)	X	X	(4)06DA660047	(4) →	(4) →
	INCLUDES ITEMS 97-99					
97	CONNECTION ROD & CAP	X	X	NSS	→	→
98	CAPSCREW, SELF LOCK	X	X	(2)06DA502763	(2) →	(2) →
99	PIN, DOWEL	X	X	(2)7J1-6032	(2) →	(2) →
100	RING, COMPRESSION (STANDARD)	(6)AU50CP355	(6) →	(6) →	(6) →	(6) →
100	RING, COMPRESSION (2.00 DIA)	06DA660069	→	→	→	→
	PKG OF 12 RINGS (.020 OVERSIZE)					
100	RING, COMPRESSION (1.18 DIA)	X	X	X	X	X
101	RING, OIL (NOT USED CURRENTLY)	(6)AU50CP245	(6) →	(6) →	(6) →	(6) →
101	RING, OIL (2.00 DIA)	06DA660070	→	→	→	→
	PKG OF 12 RINGS (.020 OVERSIZE)					
<b>VALVE PLATE GROUP</b>						
102 NI	VALVE PLATE PKG (HI/EFF) (A/C)	(3)06DA660093	(3) →	(3) →	(3) →	(3) →
	EACH INCLUDES ITEMS 103-111					
103	VALVE PLATE ASSMBLY	NSS	→	→	→	→
	INCLUDES ITEMS 104-107					
104	VALVE, DISCHARGE	(2)NSS	(2) →	(2) →	(2) →	(2) →
105	STOP, DISCHARGE VALVE	(2)NSS	(2) →	(2) →	(2) →	(2) →
106	SCREW, HEX HEAD (W/WASHER)	(4)NSS	(4) →	(4) →	(4) →	(4) →
107	LOCKWASHER	X	X	X	X	X
108	GASKET, VALVE PLATE	6D40-1073	→	→	→	→
31	GASKET, CYLINDER HEAD (PLAIN)	6D40-1053	→	→	→	→
33	GASKET, CYLINDER HEAD (SCOU)	06DA504594	→	→	→	→
109	VALVE, SUCTION (HI-EFFICIENCY)	(2)06DA502903	(2) →	(2) →	(2) →	(2) →
110	SPRING, SUCTION VALVE POSITION	(2)6D40-1021	(2) →	(2) →	(2) →	(2) →
30	GASKET, CYLINDER HEAD (CENTER)	6D68-1053	→	→	→	→
111	GASKET, VALVE PLATE	06DA502923	→	→	→	→
112 NI	VALVE PLATE PACKAGE (HGBP) *	6D73-253	→	→	→	→
* QUANTITY REQUIRED DETERMINED BY NUMBER OF "HGBP" UNLOADERS ON UNIT						
	INCLUDES ITEMS 113-110					
113	VALVE PLATE ASSEMBLY	NSS	→	→	→	→
	INCLUDES ITEMS 114-122					
114	VALVE, DISCHARGE	(2)6D75-1052	(2) →	(2) →	(2) →	(2) →
115	STOP, DISCHARGE VALVE	(2)6D75-1062	(2) →	(2) →	(2) →	(2) →
116	SCREW, HEX HEAD (1/4-28X3/8)	(4)AB06G0164	(4) →	(4) →	(4) →	(4) →
117	LOCKWASHER (1/4)	(4)AU61ML171	(4) →	(4) →	(4) →	(4) →
118	PISTON, CHECK VALVE	06DA502322	→	→	→	→
119	BODY, CHECK VALVE	06DA502342	→	→	→	→
120	SPRING, CHECK VALVE	6D75-2081	→	→	→	→
121	SCREW, ROUND HEAD (#6-32)	(2)NSS	(2) →	(2) →	(2) →	(2) →
122	LOCKWASHER (#6)	(2)AU11AR081	(2) →	(2) →	(2) →	(2) →
123	GASKET, VALVE PLATE	6D43-1073	→	→	→	→
32	GASKET, CYLINDER HEAD (UNLOADER)	6D75-2672	→	→	→	→
124	VALVE, SUCTION	(2)6D48-1072	(2) →	(2) →	(2) →	(2) →
110	SPRING, SUCTION VALVE POSITION	(2)6D40-1021	(2) →	(2) →	(2) →	(2) →
125	DOWEL, SUCT. VALVE (NOT IN 112)	(8)7J1-6032	(8) →	(8) →	(8) →	(8) →

NOTE: See "Catalog Notes" on last page for explanation of symbolism.



# AIR CONDITIONING MEDIUM TEMP REFRIGERATION COMPRESSORS

# 06D

ITEM	PART DESCRIPTION	06DA/DM/DX724	06DA/DM/DX824	06DA/DM/DX328	06DA/DM/DX337	06DA/DM/DX537
		6D63 6 CYL	X X	X X	X X	X X
		6D67 6 CYL	6D68 6 CYL	X 6 CYL	6D73 6 CYL	6D75 6 CYL
<b>ACCESSORY GROUP</b>						
126	NI CRANKCASE HEATER PACKAGES					
126	NI STRAP ON 115V,50W,39" LEAD	X	X	X	X	X
126	NI STRAP ON 230V,50W,39" LEAD	X	X	X	X	X
126	NI STRAP ON 230V,100W,52" LEAD	X	X	X	X	X
	INCLUDES ITEM 127					
127	NI BRACKET(CARTRIDGE)	07DA500011	→	X	X	X
128	NI INSERT TYPE 115V,180W,73" LEAD	38AQ660003	→	→	→	→
128	NI INSERT TYPE 230V,180W,73" LEAD	38AQ660004	→	→	→	→
128	NI INSERT TYPE 480V,125W,73" LEAD	06EA660076	→	→	→	→
	INCLUDES ITEM 129					
129	NI CLIP	X	X	AS81VF056	→	→
130	NI SOLID MOUNT SPACER PACKAGE	30HR070-1071	→	→	→	→
131	NI COMPRESSOR INTERCONNECTION PKG	06DA900072	→	→	→	→
	INCLUDES ITEMS 132-133					
132	NI ADAPTER(1 1/2-18 X 1 1/8 ODS)	(2)30HR40-1051	(2) →	(2) →	(2) →	(2) →
133	NI GASKET	(2)5F20-1631	(2) →	(2) →	(2) →	(2) →
138	NI MUFFLER (AVAIL. TILL DEPLETED)	50K12-4503		50K16-3042	→	→
138	NI MUFFLER	06DA605604	→	06DA605614	→	→
MUFFLER MAY BE MOUNTED IN A HORIZONTAL OR VERTICAL POSITION .						
139	NI MOUNTING PLATE KIT	06EA660096	→	→	→	→
140	NI SUSPENSION KIT	06DA660057	→	→	→	→
	INCLUDES ITEMS 141-147					
141	NI SPRING,MOUNTING	(4)50K12-1231	(4) →	(4) →	(4) →	(4) →
142	NI RETAINING,SPRING	(2)50K4-1221	(2) →	(2) →	(2) →	(2) →
143	NI NUT,LOCK	(4)AT61JA241	(4) →	(4) →	(4) →	(4) →
144	NI SNUBBER	(4)6D73-2241	(4) →	(4) →	(4) →	(4) →
145	NI CUP,SNUBBER	(4)6D73-2251	(4) →	(4) →	(4) →	(4) →
146	NI STUD	(4)NSS	(4) →	(4) →	(4) →	(4) →
147	NI NUT,FLANGED	(8)NSS	(8) →	(8) →	(8) →	(8) →
150	NI CAPACITY CONTROL ACCY.PKG.	06DA660089	→	→	→	→
	ELECTRIC SCOU(LESS COIL)					
	INCLUDES ITEMS 29-162					
	CYLINDER HEAD ASSEMBLY	NSS	NSS	NSS	NSS	NSS
	INCLUDES ITEMS 29-162					
29	CYLINDER HEAD	06DA504614	→	→	→	→
151	PISTON	06DA503073	→	→	→	→
152	GASKET,UNLOADER VALVE	06EA501253	→	→	→	→
153	VALVE,BODY	06DA502963	→	→	→	→
154	SPRING,COMPRESSION	06DA502953	→	→	→	→
155	COVER,VALVE	06DA502973	→	→	→	→
156	GASKET,VALVE COVER	06DA502983	→	→	→	→
157	VALVE BODY ASSY(LESS COIL)	06DA405264	→	→	→	→
159	STRAINER	6D75-601	→	→	→	→
160	SCREW, SOCKET HEAD(1/4-28X3/4)	(7)AB44AA168	(7) →	(7) →	(7) →	(7) →
161	GASKET, SOCKET HEAD SCREW	(3)AU52YA171	(3) →	(3) →	(3) →	(3) →
162	RING,PISTON SEAL	06DA503083	→	→	→	→

NOTE: See "Catalog Notes" on last page for explanation of symbolism.

Litho in U.S.A.



ITEM	PART DESCRIPTION	06DA/DM/DX724	06DA/DM/DX824	06DA/DM/DX328	06DA/DM/DX337	06DA/DM/DX537
		6D63 6 CYL	X X	X X	X X	X X
		6D67 6 CYL	6D68 6 CYL	X 6 CYL	6D73 6 CYL	6D75 6 CYL
<b>ACCESSORY GROUP CONT'D</b>						
163	NI CAPACITY CONTROL ACCY.PKG. (PRESSURE SCOU) INCLUDES ITEMS 29-162	06DA660090	→	→	→	→
	NI CYLINDER HEAD ASSEMBLY INCLUDES ITEMS 29-162	NSS	→	→	→	→
29	CYLINDER HEAD	06DA504614	→	→	→	→
151	PISTON	06DA503073	→	→	→	→
152	GASKET, UNLOADER VALVE	06DA501253	→	→	→	→
153	VALVE, BODY	06DA502963	→	→	→	→
154	SPRING, COMPRESSION	06DA502953	→	→	→	→
155	COVER, VALVE	06DA502973	→	→	→	→
156	GASKET, VALVE COVER	06DA502983	→	→	→	→
158	VALVE BODY ASSY(PRESSURE)	06DA404294	→	→	→	→
159	STRAINER	6D75-601	→	→	→	→
160	SCREW, SOCKET HEAD(1/4-28X3/4)	(7)AB44AA168	(7) →	(7) →	(7) →	(7) →
161	GASKET, SOCKET HEAD SCREW	(3)AU52YA171	(3) →	(3) →	(3) →	(3) →
162	RING, PISTON SEAL	06DA503083	→	→	→	→
EACH CAPACITY CONTROL ACCESSORY PACKAGE ALSO INCLUDES ITEMS 33-108.						
33	GASKET, CYLINDER HEAD	06DA504594	→	→	→	→
35	BOLTS, CYLINDER HEAD	(8)AA06BR239	(8) →	(8) →	(8) →	(8) →
164	STUDS, CYLINDER HEAD, FAN	(2)NSS	(2) →	(2) →	(2) →	(2) →
108	GASKET, VALVE PLATE	6D43-1073	→	→	→	→
	COILS, UNLOADER VLV.(ALCO)					
165	24-1-50/60	EF19ZE024	→	→	→	→
166	120-1-50/60	EF19ZE120	→	→	→	→
167	208/240-1-50/60	EF19ZE240	→	→	→	→
ALCO VALVES ARE IDENTIFIED BY SNAP CAP WHICH HOLDS COIL ON STEM.						
	COILS, UNLOADER VLV.(CCA)					
168	208/240-1-50/60	06EA401303	→	→	→	→
169	120-1-50/60	06EA401313	→	→	→	→
CCA VALVES ARE IDENTIFIED BY HEX NUT WHICH HOLDS COIL ON STEM.						
170	NI CONTROL VALVE PKG(PRESSURE) (FOR SCOU OR HGBP) INCLUDES ITEMS 158-161	06EA660100	→	06EA660100	→	→
158	VALVE, CAPACITY CONTROL	06EA404294	→	06EA404294	→	→
171	PISTON ASSEMBLY(NOT FOR SCOU)	NSS	→	NSS	→	→
152	GASKET, UNLOADER	06EA501253	→	06EA501253	→	→
172	NI WRENCH, ALLEN (SPECIAL)	06EA680036	→	06EA680036	→	→
160	SCREW, SOCKET HEAD(1/4-28X3/4)	(3)AB44AA168	(3) →	(3)AB44AA168	(3) →	(3) →
161	GASKET, SOCKET HEAD SCREW	(3)AU52YA171	(3) →	(3)AU52YA171	(3) →	(3) →
173	NI CONTROL VALVE PKG(ELECTRIC) (FOR SCOU OR HGBP) INCLUDES ITEMS 157-161	06EA660135	→	06EA660135	→	→
157	VALVE BODY ASSEMBLY(LESS COIL)	06DA405264	→	06DA405264	→	→
152	GASKET, UNLOADER	06DA501253	→	06DA501253	→	→
171	PISTON	NSS	→	NSS	→	→
160	SCREW, SOCKET HEAD	(3)AB44AA168	(3) →	(3)AB44AA168	(3) →	(3) →
161	GASKET, SOCKET HEAD SCREW	(3)AU52YA171	(3) →	(3)AU52YA171	(3) →	(3) →

NOTE: See "Catalog Notes" on last page for explanation of symbolism.

ITEM	PART DESCRIPTION	06DA/DM/DX724	06DA/DM/DX824	06DA/DM/DX328	06DA/DM/DX337	06DA/DM/DX537
		6D63 6 CYL	X X	X X	X X	X X
		6D67 6 CYL	6D68 6 CYL	X 6 CYL	6D73 6 CYL	6D75 6 CYL
<b>ACCESSORY GROUP CONT'D</b>						
210	NI REWORK KIT (SCOU)	06DA660111	→	→	→	→
	INCLUDES ITEMS 151-162					
151	PISTON	06DA503072	→	→	→	→
152	GASKET, UNLOADER VALVE	06EA501253	→	→	→	→
153	VALVE BODY	06DA502963	→	→	→	→
154	SPRING, COMPRESSION	06DA502953	→	→	→	→
156	GASKET, VALVE COVER	06DA502983	→	→	→	→
159	STRAINER	6D75-601	→	→	→	→
162	RING, PISTON	06DA503083	→	→	→	→
211	NI BLOCKING KIT	06DA660112	→	→	→	→
	(TO CHG. SCOU TO FULLY LOADED)					
	INCLUDES ITEMS 152-161					
152	GASKET, UNLOADER VALVE	06EA501253	→	→	→	→
205	SLEEVE, BLOCKING	06DA502993	→	→	→	→
206	PLATE, COVER	06DA501032	→	→	→	→
207	SCREW, SOCKET CAP	(3)AB44AA170	(3) →	(3) →	(3) →	(3) →
161	GASKET, SOCKET CAP SCREW	(3)AU51YA171	(3) →	(3) →	(3) →	(3) →
212	NI BLOCKING KIT	06DA660113	→	→	→	→
	(TO CHG HGBP TO FULLY LOADED)					
	INCLUDES ITEMS 152-161					
152	GASKET, UNLOADER VALVE	06EA501253	→	→	→	→
212	SPRING	06DA500061	→	→	→	→
213	PLUG	06DA501072	→	→	→	→
214	SEAT RING	06DA500051	→	→	→	→
206	PLATE, COVER	06DA501032	→	→	→	→
207	SCREW, SOC HD CAP	(3)AB44AA170	(3) →	(3) →	(3) →	(3) →
161	GASKET, SOC HD CAP SCREW	(3)AU53YA171	(3) →	(3) →	(3) →	(3) →
42B	ADAPTOR 1-1/2-18 X 1-1/8 ODS)	30HH401051	→	→	→	→

NOTE: See "Catalog Notes" on last page for explanation of symbolism.



# AIR CONDITIONING MEDIUM TEMP REFRIGERATION COMPRESSORS

# 06D

ITEM	PART DESCRIPTION	06DR109	06DR013	06DR316	06DR718	06DR820
		6D21 2 CYL	4 CYL	6D43 4 CYL	6D47 4 CYL	6D48 4 CYL
<b>REPLACEMENT COMPRESSOR GROUP</b>						
	208/230—3-60	06DR1096GA3200	06DR0136CA3200	06DR3166CA3200	06DR7186DA3200	06DR8206DA3200
	400/460—3-50/60	06DR1096GA3600	06DR0136CA3600	06DR3166CA3600	06DR7186DA3600	06DR8206DA3600
	575—3-60	06DR1096GC3100	06DR0136CA3100	06DR3166CA3100	06DR7186DA3100	06DR8206DA3100
<b>TERMINAL PLATE &amp; BOX GROUP</b>						
1 & 2	TERM. BOX & COVER KIT(3x 5x 6) 1 OR 2 OV/LDS, 1PH, 3PH XL	06DA660075	→	→	→	→
1 & 2	TERM. BOX & COVER KIT(3.4x6x6) UP TO 3 OV/LDS, 3PH XL	06DA660078	→	→	→	→
1 & 2	TERM. BOX & COVER KIT(3 x6 x6) UP TO 6 OV/LDS, 3PH PW	06DA660088	→	→	→	→
<b>EACH TERMINAL BOX &amp; COVER KIT ALSO CONTAINS: LABELS, INSULATION AND MOUNTING HARDWARE</b>						
3	NI TERMINAL PLATE PACKAGE INCLUDES ITEMS 3A—3H	06DA660045	→	→	→	→
3A	TERMINAL PLATE ASSY(6 PIN) INCLUDES ITEMS 3B—3E	NSS	→	→	→	→
3B	PHASE BARRIER(PLASTIC)	06DA503674	→	→	→	→
3C	NUT, TERMINAL(BRASS)	(6)06DA503262	(6) →	(6) →	(6) →	(6) →
3D	WASHER, LOCKTOOTH	(6)AU29AR171	(6) →	(6) →	(6) →	(6) →
3E	SPACER SLEEVE (BRASS)	(6)06DA502333	(6) →	(6) →	(6) →	(6) →
3F	GASKET, TERMINAL PLATE	6D40-1061	→	→	→	→
3G	NI SPLICE	(2)NSS	(2) →	(2) →	(2) →	(2) →
3H	NI SCREW, TERMINAL PLATE MTG	(4)NSS	(4) →	(4) →	(4) →	(4) →
4B	GROMMET, MOTOR LEAD	6D40-1311	→	→	→	→
5	NI TERMINAL PACKAGE INCLUDES	06DA660095	→	→	→	→
NI	TERMINAL NUT & SET SCREW	(6)SEE NOTE	(6) →	(6) →	(6) →	(6) →

NOTE: FOR USE ON POWER LEADS THROUGH #5 WIRE GAUGE.

NOTE: See "Catalog Notes" on last page for explanation of symbolism.





# AIR CONDITIONING MEDIUM TEMP REFRIGERATION COMPRESSORS

# 06D

ITEM	PART DESCRIPTION	06DR109	06DR013	06DR316	06DR718	06DR820
		6D21 2 CYL	4 CYL	6D43 4 CYL	6D47 4 CYL	6D48 4 CYL
<b>OVERLOAD GROUP</b>						
5	NI VOLTAGE CODE VOLTAGE					
	0300 230-1-60	HN69GZ037	HN69GZ301	X	HN69GZ301	X
	* 0400 200-3-60	(2)HN69GZ007	(2)HN69GZ053	(2)HN69GZ024	(2) →	(2)HN69GZ306
	* 0500 230-3-60	(2)HN69GZ039	(2)HN69GZ037	(2)HN69GZ031	(2) →	(2)HN69GZ214
	1200 208/230-3-60	X	X	X	X	(2)HN69GZ306
	* 0600 400/460-3-50/60	(2)HN69GZ015	(2)HN69GZ012	(2)HN69GZ014	(2) →	(2)HN69GZ025
	* 0100 575-3-60	(2)HN69GZ012	(2)HN69GZ011	(2)HN69GZ032	(2) →	(2)HN69GZ053
	0800 220-3-50	(2)HN69GZ012	(2)HN69GZ053	(2) →	(2)HN69GZ004	X
	1300 380-3-60	X	X	X	X	X
	1400 208-3-60 PW	X	X	X	X	X
	1500 230-3-60 PW	X	X	X	X	X
	1800 230-3-50 PW	X	X	X	X	X
	3100 575-3-60	(2)HN69GZ011	(2)HN69GZ012	(2)HN69GZ032	(2) →	(2)HN69GZ037
	3200 208/230-3-60 XL	(2)HN69GZ007	(2)HN69GZ004	(2)HN69GZ024	(2) →	(2)HN69GZ214
	3400 220-3-50 XL	X	X	X	(2)HN69GZ031	X
	3600 400/460-3-50/60	(2)HN69GZ015	(2)HN69GZ012	(2)HN69GZ014	(2) →	(2)HN69GZ038
	3900 415-3-50	(2)HN69GZ015	(2)HN69GZ012	(2)HN69GZ014	(2) →	(2)HN69GZ038
NOTE: * IF ORIGINAL O/L IS FURNAS CONTACT CARRIER FOR HTR OR O/L NO..						
7	NI THERMOSTAT PACKAGE	X	X	X	X	X
	INCLUDES ITEMS 8A-8E					
8A	INSULATOR, THERMAL (FISH PAPER)	X	X	X	X	X
8B	THERMOSTAT (OPEN 160 F )	X	X	X	X	X
8C	SLEEVE, THERMOSTAT (FISH PAPER)	X	X	X	X	X
8D	WASHER (1-1/2 O.D. STEEL)	X	X	X	X	X
8E	SPRING, THERMOSTAT(1.31 I.D.)	X	X	X	X	X
NOTE: THE ABOVE THERMOSTAT PACKAGE (ITEM 7) IS USED ON PART WIND START MODELS ONLY.						
9	NI OVERLOAD SPACER PACKAGE(2PCS)	06DA660077	→	→	→	→
	WILL TAKE UP TO 6 OV/LDS					
	USED IN 5X6 & 6X8 TERM. BOX					
9	NI OVERLOAD SPACER PACKAGE	06DA403052	→	→	→	→
	WILL TAKE UP TO 4 OV/LDS					
	USED IN 6X8 TERM. BOX					
9	NI OVERLOAD SPACER PACKAGE	06DA403042	→	→	→	→
	WILL TAKE UP TO 2 OV/LDS					
	USED IN 6X6 TERM. BOX					
NOTE: OVERLOAD SPACER IS USED TO MOUNT O/L'S IN TERMINAL BOX.						

NOTE: See "Catalog Notes" on last page for explanation of symbolism.



# AIR CONDITIONING MEDIUM TEMP REFRIGERATION COMPRESSORS

06D

ITEM	PART DESCRIPTION	06DR109	06DR013	06DR316	06DR718	06DR820
		6D21 2 CYL	4 CYL	6D43 4 CYL	6D47 4 CYL	6D48 4 CYL
<b>SERVICE VALVE GROUP</b>						
12	NI SUCTION VALVE PACKAGE	06DA660061	06DA660064	→	→	06DA660065
	INCLUDES ITEMS 13-17					
13	SERVICE VALVE	EN07AA271	EN07AA348	→	→	NSS
14	GASKET, VALVE	6D23-1421	6D40-1131	→	→	6D68-1131
15	CAPSCREW, VALVE MOUNTING	(2)NSS	(2) →	(2) →	(2) →	(4) →
16	CAP, VALVE(MUELLER)	EN99ZA006	→	→	→	→
16A	CAP, VALVE(HENRY)	X	EN99ZA013	→	→	→
17	GASKET, VALVE CAP(MUELLER)	EN99ZA102	EN99ZA103	→	→	→
17A	GASKET, VALVE CAP(HENRY)	X	X	X	X	X
18	NI SUCTION VALVE PKG.(ALTERNATE)	06DA660083	X	X	X	06DA660090
	INCLUDES ITEMS 13-17					
13	SERVICE VALVE	EN07AA331	X	X	X	EN07EA041
14	GASKET, VALVE	6D23-1421	X	X	X	6D68-1131
15	CAPSCREW, VALVE MOUNTING	(2)NSS	X	X	X	(4)NSS
16	CAP, VALVE(MUELLER)	EN99ZA006	X	X	X	EN99ZA006
16A	CAP, VALVE(HENRY)	X	X	X	X	EN99ZA013
17	GASKET, VALVE CAP(MUELLER)	EN99ZA012	X	X	X	EN99ZA103
17A	GASKET, VALVE CAP(HENRY)	X	X	X	X	X
19	NI DISCHARGE VALVE PACKAGE	06DA660060	→	→	→	→
	INCLUDES ITEMS 20-24					
20	SERVICE VALVE(5/8ODS, 2BOLT)	EN32AA250	→	→	→	→
21	GASKET, VALVE (1.62 CTRS.)	6D23-1421	→	→	→	→
22	CAPSCREW, VALVE MOUNTING	(2)NSS	(2) →	(2) →	(2) →	(2) →
23	CAP, VALVE(MUELLER)	EN99ZA001	→	→	→	→
23A	CAP, VALVE(HENRY)	X	X	X	X	X
24	GASKET, VALVE CAP(MUELLER)	X	X	X	X	X
24A	GASKET, VALVE CAP(HENRY)	X	X	X	X	X
19	NI DISCHARGE VLV. PKG.(ALTERNATE)	06DA660059	06DA660061	→	→	→
	INCLUDES ITEMS 20-24.					
20	SERVICE VALVE(2 BOLT)	EN26AA211	NSS	→	→	→
21	GASKET, VALVE (1.62 CTRS.)	6D23-1421	→	→	→	→
22	CAPSCREW, VALVE MOUNTING	(2)NSS	(2) →	(2) →	(2) →	(2) →
23	CAP, VALVE(MUELLER)	EN99ZA001	EN99ZA006	→	→	→
23A	CAP, VALVE(HENRY)	X	X	X	X	X
24	GASKET, VALVE CAP(MUELLER)	EN99ZA102	EN99ZA103	→	→	→
24A	GASKET, VALVE CAP(HENRY)	X	X	X	X	X

NOTE: See "Catalog Notes" on last page for explanation of symbolism.

ITEM	PART DESCRIPTION	06DR109	06DR013	06DR316	06DR718	06DR820
		6D21 2 CYL	4 CYL	6D43 4 CYL	6D47 4 CYL	6D48 4 CYL
<b>COMPRESSOR BODY GROUP</b>						
	NI PAINT (SEA FOAM GREEN)	PH23QK016	→	→	→	→
25	NI GASKET SET ( # )	6D43-172	→	→	→	→
26	HEAD,CYLINDER(CENTER)	6D40-2163	X	X	X	X
27	HEAD,CYLINDER(NON/UNL)	X	(2)6D40-2163	(2) →	(2) →	(2) →
30	GASKET,CYLINDER HEAD(CENTER)	6D40-1053	X	X	X	X
31	GASKET,CYLINDER HEAD(NON/UNLO)	X	(2)6D40-1053	(2) →	(2) →	(2) →
34	CAPSCREW,CYLINDER HEAD(PLAIN)	(8)AA06BR237	(12) →	(12) →	(12) →	(12) →
36	SCREEN ASSEMBLY,OIL FILTER	6D40-103	→	→	→	→
37	PLUG,OIL BY-PASS(5/8-18 X 1/4)	X	5F20-1311	→	→	→
38	GASKET,OIL BY-PASS PLUG (5/8)	X	AU51YA011	→	→	→
39	TUBE,OIL SUCTION	05DA500283	6D40-1092	→	6D48-1092	→
40	VALVE ASSEMBLY,OIL RELIEF	6D23-522	→	→	→	→
	INCLUDES ITEMS 41					
41	NI NUT,COMPRESSION	X	X	X	X	X
42	SIGHTGLASS ASSEMBLY(1-1/2-18)	5F20-152	→	→	→	→
	INCLUDES ITEM 43					
43	GASKET,SIGHTGLASS	5F20-1631	→	→	→	→
42	SIGHTGLASS (SPECIAL) 3/4 NPT	X	X	X	X	X
42B	ADAPTOR (1 1/2-18 X 1 1/8 ODS)	30HH401051	→	→	→	→
44	KIT,STATOR LOCKING	X	X	X	X	X
45	COVER,BOTTOM	6D40-1033	6D48-1274	→	6D40-1033	→
46	GASKET,BOTTOM COVER	6D40-1043	→	→	→	→
47	CAPSCREW,BOTTOM PLATE	(16)AA06BR229	(16) →	(16) →	(16) →	(16) →
48	FOOT,COMPRESSOR(MOTOR END)	6D40-1042	→	→	6D48-2063	→
49	CAPSCREW,COMPRESSOR FOOT	(2)AA06BR229	(2) →	(2) →	(2) →	(2) →
49A	WASHER,EVERLOCK	(2)AU27AR241	(2) →	(2) →	(2) →	(2) →
50	COVER,MOTOR END @	6D23-1084	6D48-1024	→	→	06EA502224
51	GASKET,MOTOR END COVER	6D23-1063	6F25-1013	→	→	→
52	CAPSCREW,MOTOR END COVER	(18)AA06BR232	(18)AA06BR262	(18) →	(18) →	(18) →
53	STRAINER,SUCTION(CYLINDER)	6D23-112	6D40-112	→	X	X
53	STRAINER,SUCTION(FLAT TYPE)	X	6D48-303	→	→	→
54	PLATE,BAFFLE(OLDER UNITS ONLY)	6D23-1172	6D40-1172	→	X	X
55	ROLLPIN(STATOR TO CRANKCASE)	AX14CA135	→	→	→	→
56	VALVE ASSEMBLY,CHECK	6D40-162	→	→	→	→
57	PLUG,PIPE(1/4"HEX HEAD)	(3)CA63AA051	(4) →	(4) →	(4) →	(4) →
58	VALVE ASSEMBLY,LOW PRESS.CONN.	06DA403844	→	→	→	→
59	CAP,VALVE(7/16-20)	DD19CA061	→	→	→	→
# GASKET SET 6D43-172 CONTAINS ITEMS 3F,14,30,31,38,46,51,73,80,108 & 200 . ALL AVAILABLE VERSIONS OF EACH ITEM ARE INCLUDED. QUANTITIES ARE SUFFICIENT FOR 2,4 OR 6 CYLINDER :						
@ AN ALTERNATE COVER FOR 2 BOLT SUCTION VALVE IS 06DA505404 ON 109.						

NOTE: See "Catalog Notes" on last page for explanation of symbolism.





# AIR CONDITIONING MEDIUM TEMP REFRIGERATION COMPRESSORS

# 06D

ITEM	PART DESCRIPTION	06DR109	06DR013	06DR316	06DR718	06DR820
		6D21 2 CYL	4 CYL	6D43 4 CYL	6D47 4 CYL	6D48 4 CYL
<b>PUMP END GROUP</b>						
60	NI BEARING HEAD PACKAGE	6D68-952	→	→	→	→
	INCLUDES ITEMS 62-80					
BEARING HEAD PACKAGE HAS 1/8NPT CONNECTION FOR OIL SAFETY SWITCH WHICH IS NOT PART OF ITEM 60. ORDER SWITCH P529-2110 IF REQUIRED.						
62	BEARING HEAD ASSEMBLY	NSS	→	→	→	→
	INCLUDES ITEMS 63-69					
63	BEARING, HEAD	NSS	→	→	→	→
64	ROTOR, PUMP	NSS	→	→	→	→
65	VANE, PUMP	(2)NSS	(2) →	(2) →	(2) →	(2) →
66	SPRING, VANE	(2)NSS	(2) →	(2) →	(2) →	(2) →
67	GUIDE, SPRING	(2)NSS	(2) →	(2) →	(2) →	(2) →
68	RING, RETAINING	NSS	→	→	→	→
69	RING, ROTOR RETAINING	NSS	→	→	→	→
70	GASKET, CAPSCREW(5/16)	(4)AU51YA003	(4) →	(4) →	(4) →	(4) →
71	SCREW, HEX HEAD CAP (5/16-18)	(4)AA06GR199	(4) →	(4) →	(4) →	(4) →
72	PLATE, COVER	06DA502972	→	→	→	→
73	GASKET, COVER PLATE	6D40-1061	→	→	→	→
74	SPRING, GUIDE VANE	6D40-1112	→	→	→	→
75	VANE, GUIDE	6D40-1171	→	→	→	→
76	DRIVE SEGMENT, OIL PUMP	6D40-1191	→	→	→	→
77	SCREW, SOCKET HEAD	(2)NSS	(2) →	(2) →	(2) →	(2) →
78	LOCKWASHER	(2)NSS	(2) →	(2) →	(2) →	(2) →
79	SCREW, HEX HEAD CAP	(8)NSS	(8) →	(8) →	(8) →	(8) →
80	GASKET, BEARING HEAD	6D40-1022	→	→	→	→
<b>DRIVE TRAIN GROUP</b>						
81	SHAFT, ECCENTRIC	6D24-1094	06DA504874	→	X	X
81A	SHAFT, CRANKSHAFT	X	X	X	6D48-403	→
81B	NI SHAFT, ECCENTRIC .010 UNDERSIZE	X	X	X	06DA660079	→
OLDER UNDERSIZE SHAFTS ARE IDENTIFIED BY AN "A" STAMPED ON ONE OR BOTH ENDS OF SHAFT.						
NEWER UNDERSIZED SHAFTS ARE IDENTIFIED BY REFERRING TO DETAIL "C" ON PAGE 12 OF THIS CATALOG.						
82	SIDE SHIELD, ECCENTRIC STRAP	X	(2)06DA503033	(2) →	X	X
83	COUNTERWEIGHT, PUMP END	X	06DA503003	→	X	X
84	COUNTERWEIGHT, MOTOR END	X	06DA503023	→	X	X
85	THRUSTWASHER	6D23-1591	X	X	X	X
86	PIN, SPIROL (THRUSTWASHER)	X	X	X	X	X
87	LOCKWASHER, ROTOR(1.75DIA)	06DA503112	→	→	→	→
88	LOCKWASHER(5/8)5PT. STAR	06DA503102	→	→	→	→
89	TUBE ASSEMBLY, EQUALIZER	6D23-122	6D48-122	→	→	→
95	KEY, ROTOR(1/4X1/4X3)	AW01DA103	→	→	→	→

NOTE: See "Catalog Notes" on last page for explanation of symbolism.



# AIR CONDITIONING MEDIUM TEMP REFRIGERATION COMPRESSORS

# 06D

ITEM	PART DESCRIPTION	06DR109 6D21 2 CYL	06DR013 4 CYL	06DR316 6D43 4 CYL	06DR718 6D47 4 CYL	06DR820 6D48 4 CYL
<b>DRIVE TRAIN GROUP CONT'D</b>						
THE FOLLOWING FLAT TOP STANDARD AND OVERSIZED PISTONS ARE FOR USE IN COMPRESSOR MODELS: 06D_____ 0100,0400,0500,0600&1200 ONLY.						
90	NI PISTON & PIN PACKAGE (CONTOURED TOP)(2.00 DIA. BORE) INCLUDES ITEMS 91-93	(2)06DR660025	(4)06DR660026	(4)06DR660027	(4)06DR660025	(4)06DR660028
91	PISTON	NSS	→	→	→	→
92	PISTON,PIN	NSS	→	→	→	→
93	RETAINING RING,PISTON PIN	(2)6D43-1651	(2) →	(2) →	(2) →	(2) →
94	WASHER,CURVED SPRING	(4)5D20-1321	X	X	X	X
90	NI PISTON & PIN ASSEMBLY * (.020 OVERSIZE) (2.020 BORE) (CONTOURED TOP) INCLUDES ITEMS 91-93	06DR660033	06DR660034	06DR660035	06DR660033	06DR660036
91	PISTON	NSS	→	→	→	→
92	PIN,PISTON	NSS	→	→	→	→
93	RETAINING RING,PISTON	(2)6D43-1651	(2) →	(2) →	(2) →	(2) →
90	NI PISTON & PIN PKG (FLAT TOP DESIGN)(2.00 BORE) INCLUDES ITEMS 91-93	6D43-962	NLA	6D68-962	6D43-962	6D44-962
91	PISTON	NSS	→	→	→	→
92	PIN,PISTON	NSS	→	→	→	→
93	RETAINING RING,PISTON PIN	(2)6D43-1651	(2) →	(2) →	(2) →	(2) →
90	NI PISTON & PIN PKG (FLAT TOP DESIGN).020 OVERSIZE INCLUDES ITEMS 91-93	06DA660067	NLA	06DA660066	06DA660067	06DA660068
91	PISTON	NSS	NLA	NSS	→	→
92	PIN,PISTON	NSS	NLA	NSS	→	→
93	RETAINING RING,PISTON PIN	(2)6D43-1651	(2) →	(2) →	(2) →	(2) →
96	ECCENTRIC STRAP	(2)5D40-1372	(4) →	(4) →	X	X
96	NI CONNECTING ROD & CAP ASSEMBLY INCLUDES ITEMS 97-99	X	X	X	(4)06DA660041	(4)06DA660086
97	CONNECTING ROD & CAP	X	X	X	NSS	→
98	CAPSCREW,SELFLOCKING	X	X	X	(2)06DA502763	(2) →
99	DOWEL PIN	X	X	X	(2)7J1-6032	(2) →
96	NI CONN ROD & CAP ASSY(-.010) INCLUDES ITEMS 97-99	X	X	X	06DA660048	06DA660087
97	CONNECTION ROD & CAP	X	X	X	NSS	NSS
98	CAPSCREW,SELF LOCKING	X	X	X	(2)06DA502763	(2) →
99	PIN,DOWEL	X	X	X	(2)7J1-6032	(2) →
100	RING,COMPRESSION(2.00 DIA)	(2)AU50CP355	(4) →	(4) →	(4) →	(4) →
100	RING,COMPRESSION(PKG OF 12) (.020 OVERSIZE) (NOTE)	06DA660069	→	→	→	→
100	RING,COMPRESSION (1.81 DIA.)	X	(4)AU50CP350	X	X	X
101	RING,OIL(2.00 DIA) (NOTE)	(2)AU50CP245	(4) →	(4) →	(4) →	(4) →
101	RING,OIL(2.00 DIA) (+ .020) PKG OF 12 RINGS (+ .020)	06DA660070	→	→	→	→
101	RING,OIL (1.81 DIA.)	X	(4)AU50CP250	X	X	X
CURRENT PRODUCTION COMPRESSORS NO LONGER USE OIL RINGS.						
(*) IDENTIFIED BY ".020" STAMPED ON CYLINDER DECK NEXT TO EACH OVER-SIZED PISTON.CHECK NEAR EACH,NOT ALL MAY BE MARKED,ONLY 1 OR 2.						

NOTE: See "Catalog Notes" on last page for explanation of symbolism.

ITEM	PART DESCRIPTION	06DR109	06DR013	06DR316	06DR718	06DR820
		6D21 2 CYL	4 CYL	6D43 4 CYL	6D47 4 CYL	6D48 4 CYL
<b>VALVE PLATE GROUP</b>						
102	NI VALVE PLATE PACKAGE	06DA660094	→	→	→	→
	INCLUDES ITEMS 103-108					
103	VALVE PLATE ASSMBLY	NSS				
	INCLUDES ITEMS 104-107					
104	VALVE, DISCHARGE	(2)06DA502913	(2) →	(2) →	(2) →	(2) →
105	STOP, DISCHARGE VALVE	(2)06DA502893	(2) →	(2) →	(2) →	(2) →
106	SCREW, HEX HEAD	(4)AB06G0164	(4) →	(4) →	(4) →	(4) →
107	LOCKWASHER	(4)AU61ML171	(4) →	(4) →	(4) →	(4) →
108	GASKET, VALVE PLATE	6D43-1073	→	→	→	→
31	GASKET, CYLINDER HEAD	6D40-1053	→	→	→	→
109	VALVE, SUCTION	(2)06DA502903	(2) →	(2) →	(2) →	(2) →
110	SPRING, SUCTION VALVE POSITION	(2)NSS	(2) →	(2) →	(2) →	(2) →
111	GASKET, VALVE PLATE (STEEL)	06DA502923	→	→	→	→
30	GASKET, CYLINDER HEAD	6D68-1053	→	→	→	→
112	DOWEL, SUCTION VALVE	(4)7J1-6032	(8) →	(8) →	(8) →	(8) →
102B	VALVE PLATE PKG(R.H.)(1.81 BORE)	X	06DR660008	X	X	X
102C	VALVE PLT PKG(L.H.)(1.81 BORE)	X	06DR660009	X	X	X
NOTE: R.H. OR L.H. IS DETERMINED BY VIEWING COMPR FROM PUMP END. SUCTION PORT IN VALVE PLATE IS TO BE AT MOTOR END OF PLATE.						
<b>EACH INCLUDES ITEMS 103-110</b>						
103	VALVE PLATE ASSY	X	NSS	X	X	X
	INCLUDES ITEMS 104-107					
104	VALVE DISCHARGE	X	(2)6D75-1062	X	X	X
105	STOP, DISCHARGE VALVE	X	(2)6D75-1052	X	X	X
106	SCREW, HEX HD 1/4-28 X 3/8 LG	X	(4)AB06G0164	X	X	X
107	LOCK WASHER	X	(4)AU61ML171	X	X	X
108	GASKET, VALVE PLATE	X	6D40-1073	X	X	X
31	GASKET, CYLINDER HEAD (PLAIN)	X	6D40-1053	X	X	X
109	VALVE, SUCTION (1.81 BORE)	X	(2)6D45-1072	X	X	X
<b>ACCESSORY GROUP</b>						
<b>CRANKCASE HEATER PACKAGES</b>						
126	NI STRAP ON 115V, 50W, 39" LEAD	06DA660091	→	→	X	X
126	NI STRAP ON 230V, 50W, 39" LEAD	06DA660092	→	→	X	X
126	NI STRAP ON 230V, 100W, 52" LEAD	X	HT32BD346	→	X	X
	INCLUDES ITEM 127					
127	NI BRACKET	07DA500011	→	→	→	
	INSERTION TYPE(CARTRIDGE)					
128	NI 120V, 180W, 73" LEAD	X	X	X	X	38A0660003
128	NI 240V, 180W, 73" LEAD	X	X	X	38A0660004	→
128	NI 480V, 125W, 73" LEAD	X	X	X	06DA660076	→
	INCLUDES ITEM 129					
129	NI CLIP	X	X	X	AS81VF056	→
130	NI SOLID MOUNT SPACER PACKAGE	30HR070-1071	→	→	→	→
131	NI COMPRESSOR INTERCONNECTION PKG	06DA900072	→	→	→	→
	INCLUDES ITEMS 132-133					
132	NI ADAPTER(1 1/2-18 X 1 1/8 ODS)	(2)30HH401051	(2) →	(2) →	(2) →	(2) →
133	NI GASKET	(2)5F20-1631	(2) →	(2) →	(2) →	(2) →
SOME 06DR109 MODELS MAY HAVE A 3/4 NPT SIGHT GLASS CONNECTION SEE PMB 87-42 FOR INSTRUCTIONS.						
138	NI MUFFLER	06DA605594	→	→	→	06DA605614
139	NI MOUNTING PLATE KIT	06EA660096	→	→	→	→
140	NI SUSPENSION KIT	06DA660058	06DA660056	→	→	→
	INCLUDES ITEMS 141-147					
141	NI SPRING, MOUNTING	(4)50K12-1231	(4)50K4-1231	(4) →	(4) →	(4) →
142	NI RETAINING, SPRING	(2)50K4-1221	(2) →	(2) →	(2) →	(2) →
143	NI NUT, LOCK	(4)AT61JA241	(4) →	(4) →	(4) →	(4) →
144	NI SNUBBER	(4)6D73-2241	(4) →	(4) →	(4) →	(4) →
145	NI CUP, SNUBBER	(4)6D73-2251	(4) →	(4) →	(4) →	(4) →

NOTE: See "Catalog Notes" on last page for explanation of symbolism.



ITEM	PART DESCRIPTION	06DR109	06DR013	06DR316	06DR718	06DR820
		6D23 2 CYL	4 CYL	6D43 4 CYL	6D47 4 CYL	6D48 4 CYL
ACCESSORY GROUP CONT'D.						
146	NI STUD	(4)NSS	(4) →	(4) →	(4) →	(4) →
147	NI NUT, FLANGED	(8)NSS	(8) →	(8) →	(8) →	(8) →
180	NI CYLINDER HEAD COOLING PKG	X	06DR660014	→	→	→
	INCLUDES ITEMS 181-190					
181	NI MOTOR(1/20 H.P., 208/230-1-60)	X	HC27GB230	→	→	→
182	NI FAN REPLACEMENT PKG	X	06DR660012	→	→	→
	INCLUDES ITEMS 183-185					
183	NI FAN	X	LA01AA102	→	→	→
184	NI BUSHING	X	P251-0064	→	→	→
185	NI SET SCREW	X	AE54FR167	→	→	→
186	NI FAN GUARD & MOTOR MTG ASSY	X	06DA401773	→	→	→
187	NI COVER ASSY, FAN GUARD	X	06DA401763	→	→	→
188	NI ADAPTER, CONDUIT	X	HW60EZ158	→	→	→
189	NI WASHER, 3/8 PLATE	X	(8)AU02AB242	(8) →	(8) →	(8) →
190	NI NUT, 3/8 HEX	X	(4)AT39AB241	(4) →	(4) →	(4) →

NOTE: See "Catalog Notes" on last page for explanation of symbolism.



# AIR CONDITIONING MEDIUM TEMP REFRIGERATION COMPRESSORS

# 06D

		06DR724	06DR228	06DR337
		6D63 6 CYL	X X	X X
		6D67 6 CYL	X 6 CYL	6D73 6 CYL
ITEM	PART DESCRIPTION			
<b>REPLACEMENT COMPRESSOR GROUP</b>				
REFRIGERATION				
	208/230—3-60 XL	06DR7246DA3200	06DR2286DA3200	06DR3376DA3200
	400/460—3-50/60 XL	06DR7246DA3600	06DR2286DA3600	06DR3376DA3600
	575—3-60 XL	06DR7246DA3100	06DR2286DA3100	06DR3376DA3100
<b>TERMINAL PLATE &amp; BOX GROUP</b>				
1 & 2	TERM. BOX & COVER KIT(3 x5 x6) 1 OR 2 0/LS,10/30 XL	06DA660075	→	→
1 & 2	TERM. BOX & COVER KIT(3.4x6x6) UP TO 3 0/LS,30 XL	06DA660078	→	→
1 & 2	TERM. BOX & CVR.KIT(3 x6 x8) UP TO 6 0/LS,30 PW	06DA660088	→	→
<b>EACH TERMINAL BOX &amp; COVER KIT ALSO CONTAINS: TERMINAL LUGS, LABELS, INSULATION AND ASSEMBLY HARDWARE.</b>				
3	NI TERMINAL PLATE PACKAGE INCLUDES ITEMS 3A—3H	06DA660045	→	→
3A	TERMINAL PLATE ASSY(6 PIN) INCLUDES ITEMS 3B—3E	NSS	→	→
3B	PHASE BARRIER(PLASTIC)	06DA503674	→	→
3C	NUT,TERMINAL(BRASS)	(6)06DA503262	(6) →	(6) →
3D	WASHER, LOCKTOOTH	(6)AU29AR171	(6) →	(6) →
3E	SPACER SLEEVE (BRASS)	(6)06DA502333	(6) →	(6) →
3F	GASKET, TERMINAL PLATE	6D40-1061	→	→
3G	NI SPLICE	(2)NSS	(2) →	(2) →
3H	NI SCREW	(4)NSS	(4) →	(4) →
4B	GROMMET, MOTOR LEAD	6D40-1311	→	→
5	NI TERMINAL PACKAGE INCLUDES TERMINAL NUT & SET SCREW	06DA660095  (6)SEE NOTE	→  (6) →	→  (6) →
<b>NOTE: FOR USE ON POWER LEADS THROUGH #5 WIRE GAUGE.</b>				

NOTE: See "Catalog Notes" on last page for explanation of symbolism.

ITEM	PART DESCRIPTION	06DR724	06DR228	06DR337
		6D63 6 CYL	X X	X X
OVERLOAD GROUP		6D67 6 CYL	X 6 CYL	6D73 6 CYL
6	NI VOLTAGE			
	0300 230-1-60	X	X	X
	0400 200-3-60 XL	(2)HN69GZ306	(3)HN69GZ309	(3)HN69GZ221
	0500 230-3-60 XL	X	(2)HN69GZ306	(2)HN69GZ309
	1200 208/230-3-60 XL	HN69GZ306	(3)HN69GZ309	(3)HN69GZ221
	0600 400/460-3-50/60 XL	(2)HN69GZ025	(2)HN69GZ024	(2)HN69GZ301
	0100 575-3-60 XL	(2)HN69GZ053	(2)HN69GZ025	(2)HN69GZ010
	0800 220-3-50 XL	(2)HN69GZ022	X	(2)HN69GZ306
	1300 380-3-60 XL	X	X	X
	1400 208-3-60 PW	X	X	(6)HN69GZ022
	1500 230-3-60 PW	X	X	(6)HN69GZ046
	1800 230-3-50 XL	X	X	(6)HN69GZ045
	3100 575-3-60 XL	(2)HN69GZ037	(2)HN69GZ004	(2)HN69GZ025
	3200 208/230-3-60 XL	(2)HN69GZ214	(3)HN69GZ306	(3)HN69GZ309
	3400 220-3-50 XL	X	X	X
	3600 380-3-60 XL	(2)HN69GZ038	(2)HN69GZ010	(2)HN69GZ024
	3800 415-3-50 PW	X	(6)HN69GZ037	(6)HN69GZ004
	3900 415-3-50 XL	(2)HN69GZ038	(2)HN69GZ010	(2)HN69GZ024
7	THERMOSTAT PACKAGE (NOTE)	06DA660055	→	→
	INCLUDES ITEMS 8A-8E			
8A	INSULATOR, THERMAL (FISH PAPER)	6D40-1141	→	→
8B	THERMOSTAT (OPEN 160 F)	HH12HC161	→	→
8C	SLEEVE, THERMOSTAT (FISH PAPER)	6D23-1521	→	→
8D	WASHER (1-1/2 O.D. STEEL)	6D23-1511	→	→
8E	SPRING, THERMOSTAT (1.31 I.D.)	6D23-1531	→	→
NOTE: THE ABOVE THERMOSTAT PACKAGE (ITEM 7), IS USED ON PART WIND START MODELS ONLY.				
9	NI OVERLOAD SPACER PACKAGE(2PCS)	06DA660077	AS REQUIRED	AS REQUIRED
	WILL TAKE UP TO 6 OV/LDS			
	USED IN 5X6 & 6X8 TERM. BOX			
9	NI OVERLOAD SPACER PACKAGE	06DA403052	AS REQUIRED	AS REQUIRED
	WILL TAKE UP TO 4 OV/LDS			
	USED IN 6X8 TERM. BOX			
9	NI OVERLOAD SPACER PACKAGE	06DA403042	AS REQUIRED	AS REQUIRED
	WILL TAKE UP TO 2 OV/LDS			
	USED IN 6X6 TERM. BOX			
NOTE: OVERLOAD SPACER IS USED TO MOUNT O/L'S IN TERMINAL BOX.				

NOTE: See "Catalog Notes" on last page for explanation of symbolism.



ITEM	PART DESCRIPTION	06DR724	06DR228	06DR337
		6D63 6 CYL	X X	X X
		6D67 6 CYL	X 6 CYL	6D73 6 CYL
<b>SERVICE VALVE GROUP</b>				
12	NI SUCTION VALVE PACKAGE	06DA660064	X	X
	INCLUDES ITEMS 13-17			
13	SERVICE VALVE(1-1/8ODS,2BOLT)	EN07AA348	X	X
14	GASKET,VALVE(1.75 CTRS)	6D40-1131	X	X
15	CAPSCREW,VALVE MOUNTING	(2)NSS	X	X
16	CAP,VALVE(MUELLER)	EN99ZA006	X	X
16A	CAP,VALVE(HENRY)	EN99ZA013	X	X
17	GASKET,VALVE CAP(MUELLER)	EN99ZA103	X	X
17A	GASKET,VALVE CAP(HENRY)	X	X	X
12	NI SUCTION VALVE PACKAGE	06DA660063	X	X
	INCLUDES ITEMS 13-17			
13	SERVICE VALVE(1-1/8ODS,4BOLT)	EN07EA033	X	X
14	GASKET,VALVE	6D68-1131	X	X
15	CAPSCREW,VALVE MOUNTING	(4)NSS	X	X
16	CAP,VALVE(MUELLER)	EN99ZA006	X	X
16A	CAP,VALVE(HENRY)	EN99ZA013	X	X
17	GASKET,VALVE CAP(MUELLER)	EN99ZA103	X	X
17A	GASKET,VALVE CAP(HENRY)	X	X	X
12	NI SUCTION VALVE PKG(ALTERNATE)	06DA660065	X	X
	INCLUDES ITEMS 13-17			
13	SERVICE VALVE(1-3/8ODS,4BOLT)	EN07EA039	X	X
14	GASKET,VALVE(1.75 CTRS)	6D68-1131	X	X
15	CAPSCREW,VALVE MOUNTING	(4)NSS	X	X
16	CAP,VALVE(MUELLER)	EN99ZA006	X	X
16A	CAP,VALVE(HENRY)	X	X	X
17	GASKET,VALVE CAP(MUELLER)	EN99ZA103	X	X
17A	GASKET,VALVE CAP(HENRY)	X	X	X
12	NI SUCTION VALVE PACKAGE	X	06EA660090	→
	INCLUDES ITEMS 13-17			
13	SERVICE VALVE(1-5/8ODS,4BOLT)	X	EN07EA041	→
14	GASKET,VALVE	X	6D68-1131	→
15	CAPSCREW,VALVE MOUNTING	X	(4)NSS	(4) →
16	CAP,VALVE(MUELLER)	X	EN99ZA006	→
16A	CAP,VALVE(HENRY)	X	EN99ZA013	→
17	GASKET,VALVE CAP(MUELLER)	X	EN99ZA103	EN99ZA103
17A	GASKET,VALVE CAP(HENRY)	X	X	X
250	NI BAFFLE PLATE,DISCH. (NOTE)	06DA660104	06DA660104	06DA660104
	INCLUDES ITEMS 251-14			
251	NI PLATE,BAFFLE (4 HOLE)	NSS	→	→
14	GASKET	(2)6D40-1131	(2) →	(2) →
<b>DO NOT ORDER IT 250 UNLESS APPROVED BY DISTRIBUTOR SERVICE MANAGER</b>				
19	NI DISCHARGE VALVE PACKAGE	06DA660062	→	→
	INCLUDES ITEMS 20-24			
20	SERVICE VALVE(7/8ODS,2BOLT)	EN07AA284	→	→
21	GASKET,VALVE(1.62 CTRS)	6D40-1131	→	→
22	CAPSCREW,VALVE MOUNTING	(2)NSS	(2) →	(2) →
23	CAP,VALVE(MUELLER)	EN99ZA006	→	→
23	CAP,VALVE(HENRY)	X	X	X
24	GASKET,VALVE CAP(MUELLER)	X	X	X
24	GASKET,VALVE CAP(HENRY)	X	X	X
19	NI DISCHARGE VALVE PACKAGE(ALT)	06DA660064	→	→
	INCLUDES ITEMS 20-24			
20	SERVICE VALVE(1-1/8ODS)	EN07EA348	→	→
21	GASKET,VALVE(1.62 CTRS)	6D40-1131	→	→
22	CAPSCREW,VALVE MOUNTING	(2)NSS	(2) →	(2) →
23	CAP,VALVE(MUELLER)	EN99ZA006	→	→
23	CAP,VALVE(HENRY)	X	X	X
24	GASKET,VALVE CAP(MUELLER)	EN99ZA103	→	→
24	GASKET,VALVE CAP(HENRY)	X	X	X

ITEM	PART DESCRIPTION	06DR724	06DR228	06DR337
		6D63 6 CYL	X X	X X
		6D67 6 CYL	X 6 CYL	6D73 6 CYL
<b>COMPRESSOR BODY GROUP</b>				
	NI PAINT (SEA FOAM GREEN)	PH230K016	→	→
25	NI GASKET SET (#)	6D43-172	→	→
26	HEAD, CYLINDER(CENTER)	6D68-1023	→	→
27	HEAD, CYLINDER(NON/UNL)	(2)6D40-2163	(2) →	(2) →
28	HEAD, CYL. (UNLOADING)HGBP	X	X	X
29	HEAD, CYL. (UNLOADING)SCOU	X	X	X
30	GASKET, CYL. HEAD(CENTER)	6D68-1023	→	→
31	GASKET, CYL. HEAD(NON/UNL)	(2)6D40-1053	(2) →	(2) →
32	GASKET, CYL. HEAD(HGBP)	X	X	X
33	GASKET, CYL. HEAD(SCOU)	X	X	X
34	CAPSCREW, CYL. HEAD(SIDE HEAD)	(16)AA06BR237	(16) →	(16) →
35	CAPSCREW, CYL. HEAD(CENTER HEAD)	(8)AA06GR239	(8) →	(8) →
35A	STUD, FAN GUARD MOUNTING	(4)06DA503213	(4)06DA503213	(4)06DA503213
#GASKET SET 6D43-172 CONTAINS ITEMS 3F,14,30,31,38,46,51,73,80,108 & 200. ALL AVAILABLE VERSIONS OF EACH ITEM ARE INCLUDED. QUANTITIES ARE SUFFICIENT FOR 2, 4 OR 6 CYLINDER.				
36	SCREEN ASSEMBLY, OIL FILTER	6D40-103	→	→
37	PLUG, OIL BY-PASS (5/8-18X1/4NPT)	5F20-1131	→	→
38	GASKET, OIL BY-PASS PLUG(5/8)	AU51YA011	→	→
39	TUBE, OIL SUCTION	6D68-2153	6D75-2153	→
40	VALVE ASSEMBLY, OIL RELIEF INCLUDES ITEM 41	6D23-522	→	→
41	NI NUT, COMPRESSION(1/2-20)	X	X	X
42	SIGHTGLASS ASSEMBLY(1 1/2-18) INCLUDES ITEM 43	5F20-152	→	→
43	GASKET, SIGHTGLASS	5F20-1631	→	→
42B	ADAPTOR (1 1/2-18 X 1 1/8 ODS)	30HH401051	→	→
44	KIT, STATOR LOCKING	06DA660102	→	→
45	COVER, BOTTOM	6D68-1274	→	→
46	GASKET, BOTTOM COVER	6D68-1043	→	→
47	CAPSCREW, BOTTOM PLATE	(22)AA06BR235	(22) →	(22) →
48	FOOT, COMPRESSOR(MOTOR END)	X	X	X
49	CAPSCREW, COMPRESSOR FOOT	(2)AA06BR230	(2) →	(2) →
49A	WASHER, EVERLOCK	(2)AU27AR241	(2) →	(2) →
50	COVER, MOTOR END(2 BOLT VALVE)	6D48-1024	X	X
50	COVER, MOTOR END(4 BOLT VALVE)	06EA502224	→	→
51	GASKET, MOTOR END COVER	6F25-1013	(2) →	→
52	CAPSCREW, MTR. END COVER(1 1/4)	(18)AA06GR262	(18) →	(18) →
52	CAPSCREW, MTR. END COVER(3 1/2)	(18)AA06GR271	(18) →	(18) →
53	STRAINER, SUCTION(MESH CUP)	06DA402133	→	→
53	STRAINER, SUCTION (FLAT TYPE)	6D48-303	X	X
FLAT TYPE STRAINER USED ONLY ON 2 BOLT MOTOR END SUCTION VALVE. MESH CUP STRAINER USED ONLY ON 4 BOLT MOTOR END SUCTION VALVE.				
54	PLATE, BAFFLE(OLDER UNITS ONLY)	X	X	X
55	ROLLPIN(STATOR TO CRANKCASE)	AX14CA135	→	→
56	VALVE ASSEMBLY, CHECK	6D40-162	→	→
57	PLUG, PIPE(1/4" HEX HEAD)	(3)CA63AA051	(3) →	(3) →
58	VALVE ASSEMBLY, LOW PRESS. CONN.	06DA403844	→	→
59	CAP. VALVE(7/16-20)	DD19CA061	→	→

**NOTE:** See "Catalog Notes" on last page for explanation of symbolism.



ITEM	PART DESCRIPTION	06DR724	06DR228	06DR337
		6D63 6 CYL	X X	X X
		6D67 6 CYL	X 6 CYL	6D73 6 CYL
<b>PUMP END GROUP</b>				
60	NI BEARING HEAD PACKAGE	6D68-952	→	→
	INCLUDES ITEMS 62-80			
BEARING HEAD PACKAGE HAS 1/8NPT CONNECTION FOR OIL SAFETY SWITCH WHICH IS NOT PART OF ITEM 60. ORDER SWITCH P529-2110 IF REQUIRED.				
62	BEARING HEAD ASSEMBLY	NSS	→	→
	INCLUDES ITEMS 63-69			
63	BEARING HEAD	NSS	→	→
64	ROTOR, PUMP	NSS	→	→
65	VANE, PUMP	(2)NSS	(2) →	(2) →
66	SPRING, VANE	(2)NSS	(2) →	(2) →
67	GUIDE, SPRING	(2)NSS	(2) →	(2) →
68	RING, RETAINING	(2)NSS	(2) →	(2) →
69	RING, ROTOR RETAINING	NSS	→	→
70	GASKET, CAPSCREW(5/16)	(4)AU51YA005	(4) →	(4) →
71	SCREW, HEX HEAD CAP	(4)AA06GR199	(4) →	(4) →
72	PLATE, COVER	7J1-6002	→	→
73	GASKET, COVER PLATE	6D40-1061	→	→
74	SPRING, GUIDE VANE	6D40-1112	→	→
75	VANE, GUIDE	6D40-1171	→	→
76	DRIVE SEGMENT, OIL PUMP	6D40-1191	→	→
77	SCREW, SOCKET HEAD	(2)NSS	(2) →	(2) →
78	LOCKWASHER	(2)NSS	(2) →	(2) →
79	SCREW, HEX HEAD CAP	(8)NSS	(8) →	(8) →
80	GASKET, BEARING HEAD	6D40-1022	→	→
<b>DRIVE TRAIN GROUP</b>				
81	SHAFT, ECCENTRIC	06DA504884	X	X
81A	CRANKSHAFT	X	06DA401782	6D75-722
81B	CRANKSHAFT(.010 UNDERSIZE)	X	06DA660080	06DA660081
OLDER UNDERSIZE SHAFTS ARE IDENTIFIED BY AN "A" STAMPED ON ONE OR BOTH ENDS OF SHAFT.				
NEWER UNDERSIZE SHAFTS ARE IDENTIFIED BY REFERRING TO DETAIL "C" ON PAGE 12 OF THIS CATALOG.				
82	SIDE SHIELD, ECCENTRIC STRAP	(3)06DA503033	X	X
83	COUNTERWEIGHT, PUMP END	06DA503013	X	X
84	COUNTERWEIGHT, MOTOR END	6D68-1621	→	06DA503112
85	THRUSTWASHER	6D68-1491	→	→
86	PIN, SPIROL(THRUST WASHER)	AX13AA091	→	→
87	LOCKWASHER, ROTOR(1.75DIA)	X	X	X
88	LOCKWASHER(5/8)5 POINT STAR	06DA503102	→	→
89	TUBE ASSY, EQUALIZER	6D68-122	6D75-122	6D75-122
95	KEY, ROTOR(1/4X1/4X3)	AW01DA096	→	→

NOTE: See "Catalog Notes" on last page for explanation of symbolism.



ITEM	PART DESCRIPTION	06DR724	06DR228	06DR337
		6D63 6 CYL	X X	X X
		6D67 6 CYL	X 6 CYL	6D73 6 CYL
<b>DRIVE TRAIN GROUP CONT'D</b>				
90	NI PISTON & PIN PKG. (CONTOURED TOP)	(6)06DR660027	(6)06DR660029	(6)06DR660030
	INCLUDES ITEMS 91-93			
91	PISTON	NSS	→	→
92	PIN, PISTON	NSS	→	→
93	RETAINING RING, PISTON PIN	(2)6D43-1651	(2) →	(2) →
90	NI PISTON & PIN PKG. (REFRIG.) * (.020 OVERSIZED) (CONTOURED TOP)	06DR660035	06DR660037	06DR660038
	INCLUDES ITEMS 91-93			
91	PISTON	NSS	→	→
92	PISTON PIN	NSS	→	→
93	RETAINING RING, PISTON PIN	(2)6D43-1651	(2) →	(2) →
90	PISTON & PIN PKG (FLAT TOP) 2.00 CYL BORE	(6)6D68-962	(6)06DA660032	(6)06DR660003
	INCLUDES ITEMS 91-93			
91	PISTON	NSS	→	→
92	PIN, PISTON	NSS	→	→
93	RETAINING RING, PISTON PIN	(2)6D43-1651	(2) →	(2) →
90	NI PISTON & PIN PKG * (.020 OVERSIZED) 2.020 BORE ( FLAT TOP )	06DA660066	06DA660071	06DA660084
	INCLUDES ITEMS 91-93			
91	PISTON	NSS	→	→
92	PIN, PISTON	NSS	→	→
93	RETAINING RING, PISTON PIN	(2)6D43-1651	(2) →	(2) →
(*) DETERMINE QUANTITY REQUIRED BY NUMBER OF CYLINDERS WHICH HAVE ".020" STAMPED ON CYLINDER DECK NEAR PISTON. NOT ALL CYLINDERS MAY BE OVERSIZED, ONLY 1, 2 OR 3 ARE POSSIBLE.				
96	ECCENTRIC STRAP	(6)6D68-1442	X	X
96	NI CONNECTION ROD & CAP ASSY.	X	(6)06DA660042	(6)06DA660042
	INCLUDES ITEMS 97-99			
97	CONNECTION ROD & CAP	X	NSS	→
98	CAPSCREW, SELF LOCK	X	(2)06DA502763	(2)06DA502763
99	PIN, DOWEL	X	(2)7J1-6032	(2)7J1-6032
96	NI CONN. ROD & CAP ASSY. (-.010)	X	(4)06DA660047	(4)06DA660047
	INCLUDES ITEMS 97-99			
97	CONNECTION ROD & CAP	X	NSS	→
98	CAPSCREW, SELF LOCK	X	(2)06DA502763	(2)06DA502763
99	PIN, DOWEL	X	(2)7J1-6032	(2)7J1-6032
100	RING, COMPRESSION (STANDARD)	(6)AU50CP355	(6) →	(6) →
100	RING, COMPRESSION (2.00 DIA) PKG OF 12 RINGS (.020 OVERSIZE)	06DA660069	→	→
100	RING, COMPRESSION (1.81 DIA)	X	X	X
101	RING, OIL (20.00 DIA) NOTE	(6)AU50CP245	(6) →	(6) →
101	RING, OIL (2.00 DIA)	06DA660070	→	→
	PKG OF 12 RINGS (.020 OVERSIZE)			
CURRENT PRODUCTION COMPRESSORS NO LONGER USE OIL RINGS.				

NOTE: See "Catalog Notes" on last page for explanation of symbolism.

ITEM	PART DESCRIPTION	06DR724	06DR228	06DR337
		6D63 6 CYL	X X	X X
		6D67 6 CYL	X 6 CYL	6D73 6 CYL
<b>VALVE PLATE GROUP</b>				
102R	VALVE PLATE PKG(HI/EFF)	06DA660094	06DA660094	06DA660094
	EACH INCLUDES ITEMS 103-111			
103	VALVE PLATE ASSMBLY	NSS	NSS	NSS
	INCLUDES ITEMS 104-107			
104	VALVE, DISCHARGE	(2)NSS	(2) →	(2) →
105	STOP, DISCHARGE VALVE	(2)NSS	(2) →	(2) →
106	SCREW, HEX HEAD(W/WASHER)	(4)NSS	(4) →	(4) →
107	LOCKWASHER	X	X	X
108	GASKET, VALVE PLATE	6D40-1073	→	→
31	GASKET, CYLINDER HEAD(PLAIN)	6D40-1053	→	→
33	GASKET, CYLINDER HEAD(SCOU)	06DA504594	→	→
109	VALVE, SUCTION(HI-EFFICIENCY)	(2)06DA502903	(2) →	(2) →
110	SPRING, SUCTION VALVE POSITION	(2)6D40-1021	(2) →	(2) →
30	GASKET, CYLINDER HEAD(CENTER)	6D68-1053	→	→
111	GASKET, VALVE PLATE	06DA502923	→	→
125	DOWEL, SUCT. VALVE	(12)7J1-6032	(12) →	(12) →
<b>ACCESSORY GROUP</b>				
126	NI CRANKCASE HEATER PACKAGES			
126	NI STRAP ON 115V, 50W, 39" LEAD	X	X	X
126	NI STRAP ON 230V, 50W, 39" LEAD	X	X	X
126	NI STRAP ON 230V, 100W, 52" LEAD	X	X	X
	INCLUDES ITEM 127			
127	NI BRACKET(CARTRIDGE)	07DA500011	X	X
128	NI INSERT TYPE 115V, 180W, 73" LEAD	38AQ660003	→	→
128	NI INSERT TYPE 230V, 180W, 73" LEAD	38AQ660004	→	→
128	NI INSERT TYPE 480V, 125W, 73" LEAD	06EA660076	→	→
	INCLUDES ITEM 129			
129	NI CLIP	X	AS81VF056	AS81VF056
130	NI SOLID MOUNT SPACER PACKAGE	30HR070-1071	→	→
131	NI COMPRESSOR INTERCONNECTION PKG	06DA900072	→	→
	INCLUDES ITEMS 132-133			
132	NI ADAPTER(1 1/2-18 X 1 1/8 ODS)	(2)30HR40-1051	(2) →	(2) →
133	NI GASKET	(2)5F20-1631	(2) →	(2) →
138	NI MUFFLER	50K12-4503	50K16-3042	→
138	NI MUFFLER	06DA605604	06DA605614	→
MUFFLER MAY BE MOUNTED IN A HORIZONTAL OR VERTICAL POSITION.				
139	NI MOUNTING PLATE KIT	06EA660096	→	→
140	NI SUSPENSION KIT	06DA660057	→	→
	INCLUDES ITEMS 141-147			
141	NI SPRING, MOUNTING	(4)50K12-1231	(4) →	(4) →
142	NI RETAINING, SPRING	(2)50K4-1221	(2) →	(2) →
143	NI NUT, LOCK	(4)AT81JA241	(4) →	(4) →
144	NI SNUBBER	(4)6D73-2241	(4) →	(4) →
145	NI CUP, SNUBBER	(4)6D73-2251	(4) →	(4) →
146	NI STUD	(4)NSS	(4) →	(4) →
147	NI NUT, FLANGED	(8)NSS	(8) →	(8) →

NOTE: See "Catalog Notes" on last page for explanation of symbolism.

ITEM	PART DESCRIPTION	06DR724	06DR228	06DR337
		6D63 6 CYL	X X	X X
		6D67 6 CYL	X 6 CYL	6D73 6 CYL
ACCESSORY GROUP CONT'D				
180	NI CYL HEAD COOLING PKG	06DR660014	→	→
	INCLUDES ITEMS 181—190			
181	MOTOR(1/2 HP,208/230-3-60)	HC27GB230	→	→
182	NI FAN REPLACEMENT PKG	06DR660012	→	→
	INCLUDES ITEMS 183—185			
183	FAN	LA01AA102	→	→
184	NI BUSHING	P251-0064	→	→
185	NI SET SCREW	AE54FR167	→	→
186	FAN GUARD & MOTOR MTG ASSY	06DA401773	→	→
187	COVER ASSY,FAN GUARD	06DA401763	→	→
188	NI ADAPTER,CONDUIT	HW60EZ1583	→	→
189	NI WASHER,3/8 PLATE	(8)AU02AB242	(8) →	(8) →
190	NI NUT,3/8 HEX	(4)AT39AB241	(4) →	(4) →

NOTE: See "Catalog Notes" on last page for explanation of symbolism.



## ORDERING INSTRUCTIONS

1. All orders should include the complete model and serial number of the unit on which the parts are to be used, and the part number and description of each part.
2. Dealers should forward orders to their Carrier distributor.

## GENERAL NOTES

1. This catalog contains those items most commonly required for replacement purposes. If parts other than those cataloged are required, please provide the model number and serial number of the unit on which the parts are to be used and a complete description including references to items which are cataloged.
2. Casing parts and panels are not normally stocked, but are available upon request while in production. Requests for casing parts and panels for units no longer in production must be cleared for availability prior to submitting an order.
3. Complete "Accessory Packages" of "F.I.O.P.'s" (Factory-Installed Option Plan) are not normally stocked or supplied by the Replacement Components Division. (Refer to Master Price Pages and order from your normal source for finished goods.)

Accessory packages and F.I.O.P.'s are listed in this catalog only for reference and to assist in the selection and ordering of replacement components.

4. The replacement parts listed in this catalog are RCD "Factory-Authorized Parts" and, as a result of "standardization," may not be identical to the original part furnished on the equipment.

## CATALOG NOTES

1. The part number in the model column indicates the part number required for that model, size and/or voltage.
2. An arrow → in the model column indicates that the model, size, and/or voltage uses the same part number as the part number shown to the left.
3. An X in the model column indicates that the part is not used on that model, size and/or voltage.
4. A number in parenthesis before the part number indicates the quantity required for that model, size, and/or voltage. Part number only in the column indicates a quantity of one.
5. The notation "NI" following the item number indicates that the item is not illustrated in the catalog.

