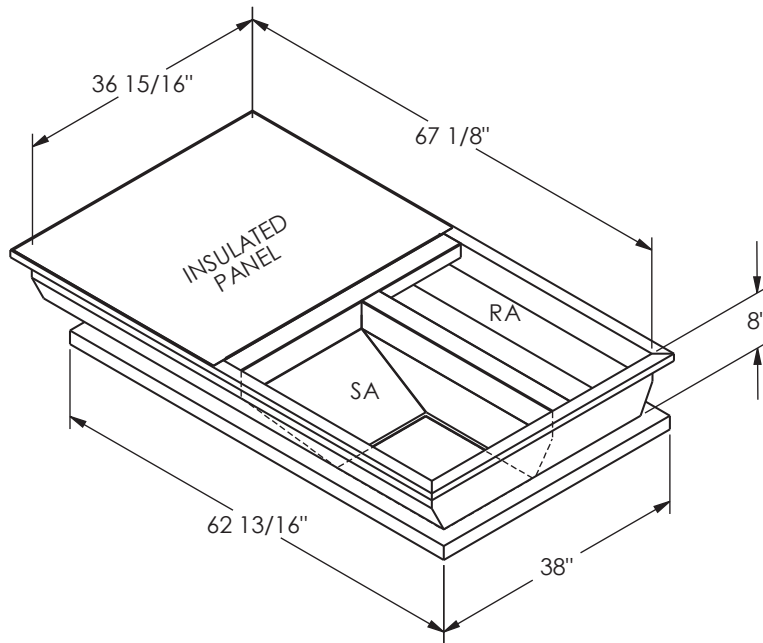


Cambridgeport

**Part # 2000001
(1000CP)**

SUBMITTAL

SUBMITTED TO _____
COMPANY _____
JOB NAME _____
EQUIPMENT _____
SIGNATURE _____
DATE _____



FEATURES

ONE-PIECE WELDED CONSTRUCTION
ALL WELDS SPRAYED WITH GALVANIZING COMPOUND
FACTORY INSTALL SUPPLY TRANSITION
FULLY INSULATED WITH 1" - 1 1/2 LB DENSITY INSULATION
FABRICATED OF HEAVY GAUGE GALVANIZED STEEL
SLOPE DESIGN FOR EVEN WEIGHT DISTRIBUTION TO EXISTING CURB
GASKET PROVIDED FOR UNIT TO ADAPTER SEALING

Existing Unit(s)

Bryant:
559D, 599D 036-060

Carrier:
50 CD 004-007
50 QD 006

New Unit(s)

Carrier:
48/50 GJ, HJ, TJ, TF, TM 004-007;
48/50 TC 04-07 ; 50 TCQ 04, 05, 06, 07
48/50 HC 04, 05, 06; 50 HCQ, 04, 05, 06
48 HE 003-006

Bryant:
548J, 558J, 580J 04-07
549J, 551J, 581J 04, 05, 06
548C,D,F ; 551A, B; 558C, D, F 036-072
580C, D, F; 581A, B; 549B 036-072