

Plastic Roof Cap Bath Exhaust

Builder's Best, Inc.

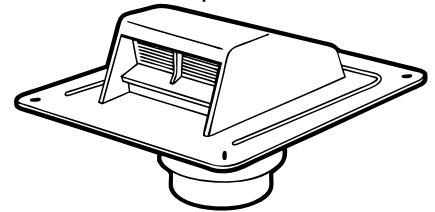
201 Broiles Drive • Jacksonville, TX 75766
 1-8-U VENT SAFE (1-888-368-7233) or 903-586-8283
 FAX 1-800-259-VENT (1-800-259-8368) or 903-586-9370
 Internet: www.buildersbest.com



Product Specifications

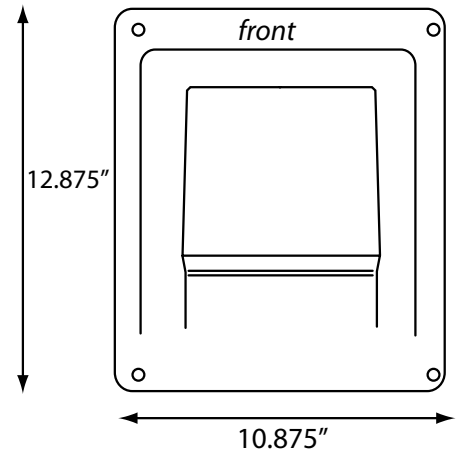
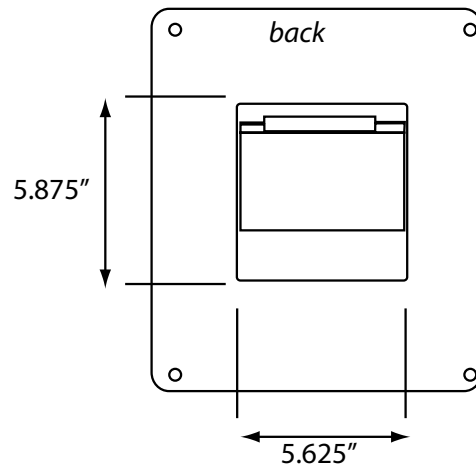
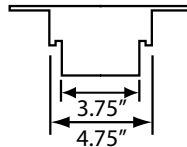
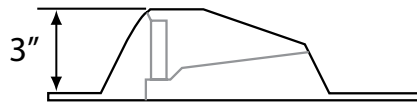
- Heavy duty black plastic (polypropylene) modified for impact and UV resistance
- Flexible flange
- Available flush mount or with a 3" long collar which adapts a 4" or 5" pipe
- Molded screen
- Unique chatterless flapper
- Extended sidewall prevent crosswind water penetration

shown with optional collar



Part Numbers

Part #	Dia.	Treatment	Qty	Pkg
Bathroom Vent:				
111508	4-5"	collar	6	bulk
111509	up to 5"	flush	4	bulk



Warranty

Manufacturer assumes no responsibility for failure due to improper installation. All specifications and designs are subject to change without notice and without incurring liability.

WARRANTY EXCLUSION AND DISCLAIMER Seller specifically excludes, and hereby disclaims any express representation or express warranty of any kind with respect to the goods ordered hereunder. All implied warranties, including without limitation merchantability or fitness for a particular purpose or arising from a course of dealing or usage or trade shall expire and cease 45 days after date of delivery. Seller shall not be liable to buyer or any third party for any special, secondary, incidental, or consequential damages however arising. Nothing in this provision shall invalidate or restrict any right or remedy otherwise available under state or federal law. Materials and specifications subject to change without notice.



Plastic Roof Cap Dryer Exhaust

Builder's Best, Inc.

201 Broiles Drive • Jacksonville, TX 75766
 1-8-U VENT SAFE (1-888-368-7233) or 903-586-8283
 FAX 1-800-259-VENT (1-800-259-8368) or 903-586-9370
 Internet: www.buildersbest.com



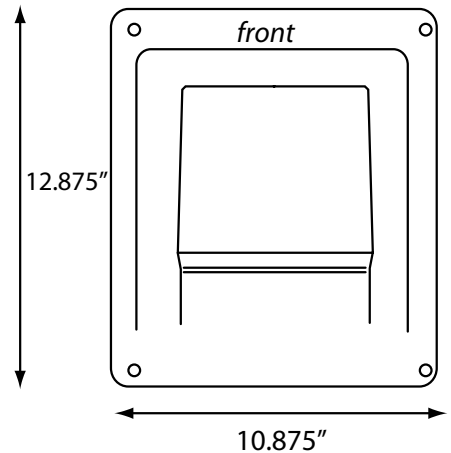
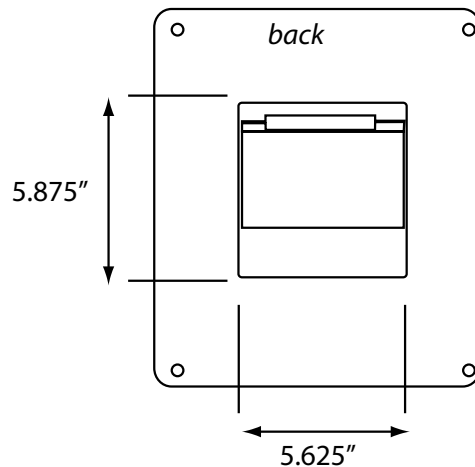
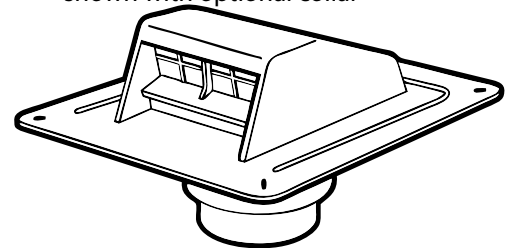
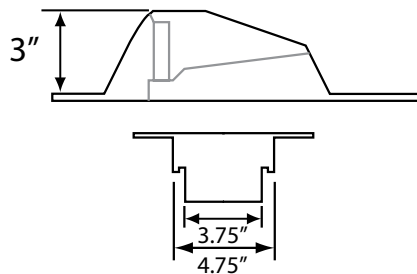
Product Specifications

- Heavy duty black plastic (polypropylene) modified for impact and UV resistance
- Flexible flange
- Available flush mount or with a collar which adapts a 4" or 5" pipe
- Molded screen
- Unique chatterless flapper
- Extended sidewall prevent crosswind water penetration

shown with optional collar

Part Numbers

Part #	Dia.	Treatment	Qty	Pkg
Dryer Vent:				
111250	4-5"	collar	6	bulk
111507	up to 5"	flush	4	bulk



Warranty

Manufacturer assumes no responsibility for failure due to improper installation. All specifications and designs are subject to change without notice and without incurring liability.

WARRANTY EXCLUSION AND DISCLAIMER Seller specifically excludes, and hereby disclaims any express representation or express warranty of any kind with respect to the goods ordered hereunder. All implied warranties, including without limitation merchantability or fitness for a particular purpose or arising from a course of dealing or usage or trade shall expire and cease 45 days after date of delivery. Seller shall not be liable to buyer or any third party for any special, secondary, incidental, or consequential damages however arising. Nothing in this provision shall invalidate or restrict any right or remedy otherwise available under state or federal law. Materials and specifications subject to change without notice.

