

Product Data



**Fig. 1 - Legacy Line-RNC Series
Programmable Thermostat**

A07109



**Fig. 2 - Legacy Line-RNC Series
Non-programmable Thermostat**

A07108

The Bryant® Legacy™ Line-RNC series of thermostats consists of programmable and non-programmable air conditioner and heat pump controls. These units feature non-mercury, non-lead based electronic controls built into a subtle, slim plastic enclosure.

FEATURES/BENEFITS

Programmable and Non-Programmable Models

- Non-volatile memory to retain settings during a power outage
- English/Metric units selection
- Modes include Off, Cool, Heat and Eheat (emergency heat on heat pump models only)
- Auxiliary heat indicator (heat pump models only)

Programmable Models

- 5-2 days programmable
- Operation with batteries optional

Air Conditioner Control

- 1-stage heat / 1-stage cool

Heat Pump Control

- 2-stage heat / 1-stage cool



**Designed and Assembled
in the USA.**

MODEL NUMBER NOMENCLATURE

1 2 3 4 5 6
T 1 - P A C

Product Type
Thermostat

Series
1 = Legacy Line-RNC

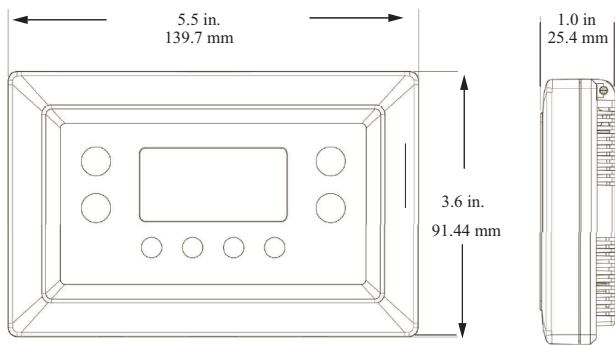
Type
AC = Air Conditioning
HP = Heat Pump

Model Type
P = Programmable
N = Non-programmable

Default

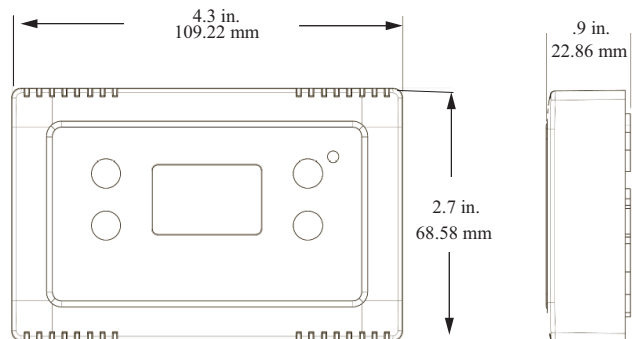
T1-PAC / T1-NAC

DIMENSIONS



A07134

Fig. 3 - Legacy Line-RNC Programmable Thermostat



A07133

Fig. 4 - Legacy Line-RNC Non-programmable Thermostat

PRODUCT DATA INFORMATION

Physical Characteristics

- Dimensions: See drawing
- Mounting: Horizontal J-box provisions

Electrical

- Input volts/amps: 24VAC, 3 VA

Environment

- Operating temperature/Relative humidity: 32°F (0°C) to 104°F (40°C), 95% RH non-condensing
- Storage temperature/Relative humidity: -40°F (-40°C) to 134°F (57°C), 95% RH non-condensing

Wiring Requirements

Standard 18 to 22 gauge, local wiring codes supercede.

Accessories

PART NUMBER	DESCRIPTION
TX-MBP01	Medium decorative backplate for T1-Pxx
TX-SBP01	Small decorative backplate for T1-Nxx

OPERATIONAL INFORMATION

Heating/Cooling Setpoints

The heating/cooling setpoint range is from 50°F (10°C) to 90°F (32°C). A selectable range of 1-6°F is enforced between heating and cooling desired temperatures. This is done by allowing one setting to “push” the other, to maintain this difference. (This difference is adjustable in Installer settings.)

Five-minute Compressor Time Guard

This timer prevents the compressor from starting unless it has been off for at least 5 minutes. It can be defeated for 1 cycle by simultaneously pressing the FAN button and INCREASE TEMPERATURE (UP) button.

Equipment On Indicators

When cooling equipment is ON, a COOL ON icon is displayed. When heating equipment is ON, a HEAT ON icon is displayed. When auxiliary heating is ON (HP only), an AUX HEAT icon is displayed.

Emergency Heat Mode

When thermostat is controlling a heat pump and emergency heat is selected, all Y signals are locked out, and W becomes energized upon a call for heat.

Room Temperature Offset

Room temperature may be deliberately offset by up to 5°F in either direction.