



Wiring Diagram

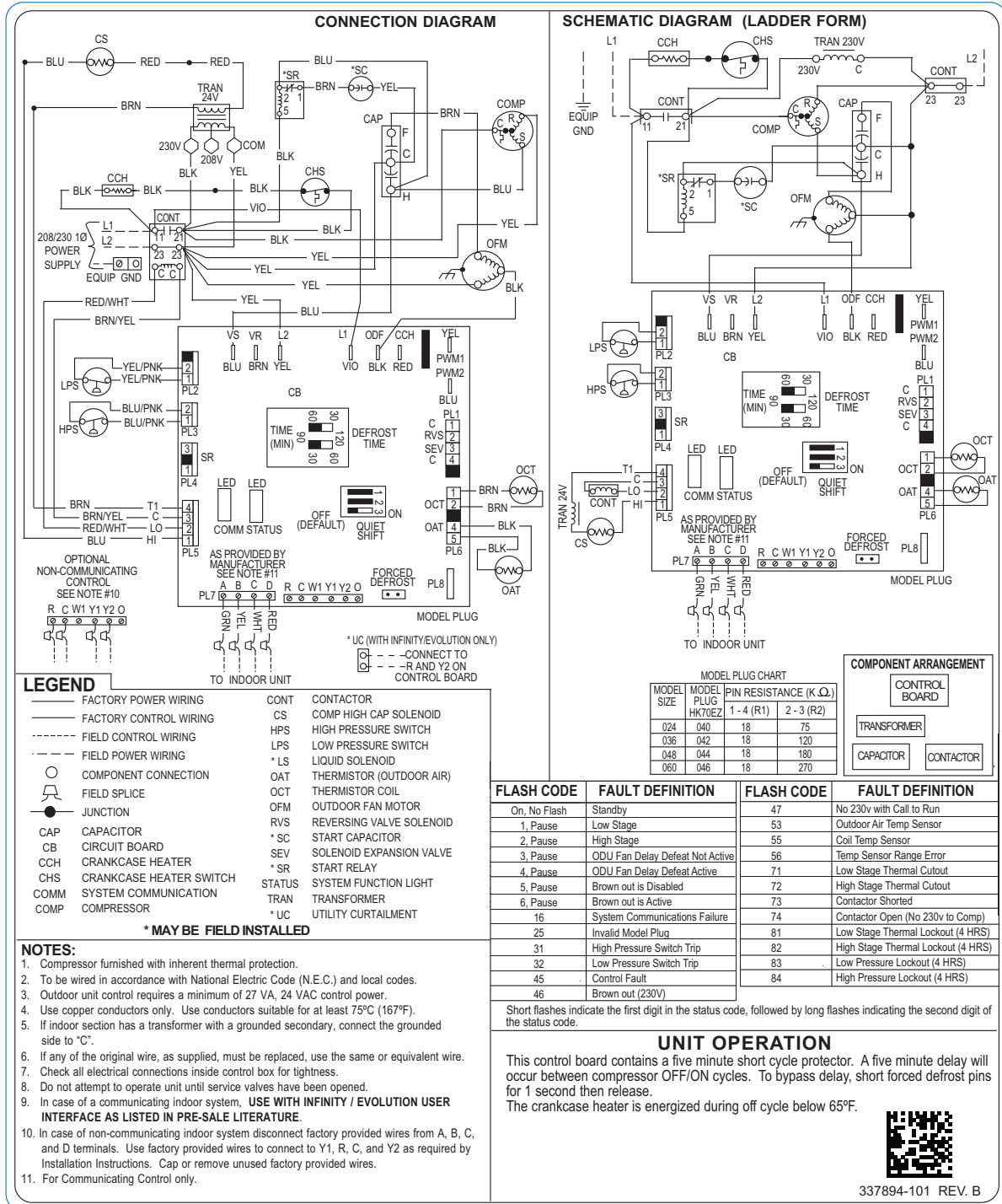


Fig. 1 – Wiring Diagram — Model sizes 2 - 5 tons, 208/230-1

